



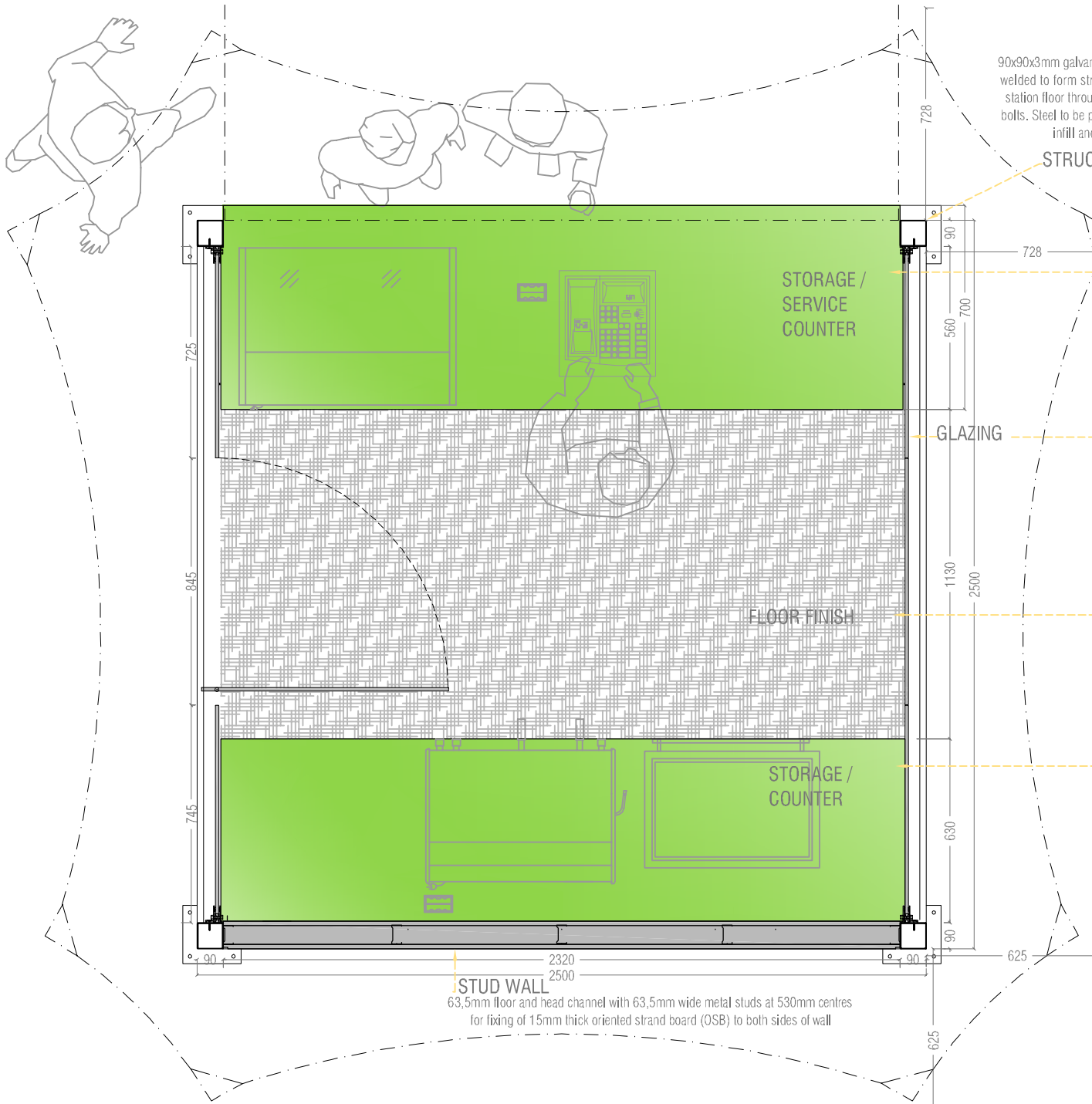
8



UNIVERSITEIT VAN PRETORIA  
UNIVERSITY OF PRETORIA  
YUNIBESITHI YA PRETORIA

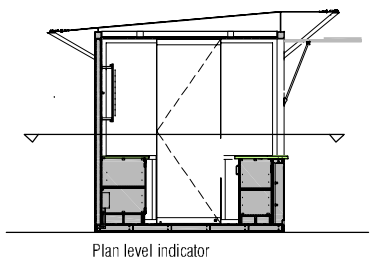
# *Chapter 8*

## *Technical resolution*



90x90x3mm galvanised mild steel cold rolled square tubes welded to form structural frame, corner columns bolted to station floor through square base plate with 4 no. anchor bolts. Steel to be primed and painted dark grey. Holes for infill and roof masts to be pre-drilled.

**STRUCTURAL STEEL FRAME**



Okoume wood veneer storage and service counter with counter top in "Primary Green" Formica laminate with lightbox for signage to front in 4mm cast acrylic with adhesive vinyl decorative transfer for tenant signage (solid lettering, plastic, stainless steel or vinyl). 2 no. double sockets under counter with cable outlet in work top.

**GLAZING**

12mm laminated safety glazing to comply with SANS 50572 as relates to human contact, fixed in stainless steel profile frame through fixed with M7 hexagon bolts with suitable rubber washer at 560mm centres vertically and 610mm centres horizontally

**FLOOR FINISH**

18mm thick oriented strand board (OSB) floor finish painted one layer white floor paint to allow retention of OSB surface texture, fixed to steel substructure with self tapping screw, holes in OSB to be filled with wood filler and leveled prior to painting

**STORAGE / COUNTER**

Okoume veneer storage and occasional display cupboards or preparation counter with counter top in "Primary Green" Formica laminate with feature doors in green cast acrylic with adhesive vinyl transfer or customisable stainless steel wire pattern in steel frames

**STUD WALL**  
63,5mm floor and head channel with 63,5mm wide metal studs at 530mm centres for fixing of 15mm thick oriented strand board (OSB) to both sides of wall



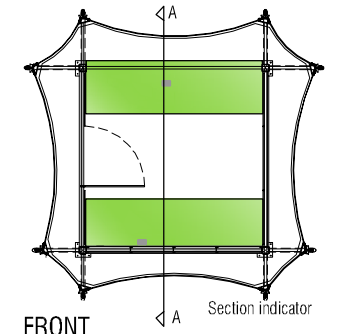
Satine 5500 fire retardant fibreglass tensile fabric with 6mm stainless steel catenary rope in RF welded catenary pocket (perimeter seams) attached to ends of steel masts by stainless steel clevis, connector plate and threaded clevis. Fabric tensioned to manufacturer's specifications on site

**TENSILE FABRIC**

16mm Saligna timber ceiling slats screw fixed to steel lipped channels, satin varnish finish. Two slats to either side of light fittings remain removable for maintenance. 15mm offset between slats with 22mm shadow gap to perimeter of ceiling.

90x90x3mm galvanised mild steel cold rolled square tubes welded to form structural frame, corner columns bolted to station floor through square base plate with 4 no. anchor bolts. Steel to be primed and painted dark grey. Holes for infill and roof masts to be pre-drilled.

50mm dia, 3mm thick steel circular section for tensile fabric roof rigging, closed at top and welded to base plate at bottom, painted Silky Grey,



**STRUCTURAL STEEL FRAME**

**STEEL MASTS**

BACK

FRONT

**FOLD UP HINGED SECURITY SCREEN**

25mm gas spring assisted cantilevered canopy / shutter with stainless steel frame, with white polyester powder coated Specimesh steel mesh to inside and 4mm twin walled polycarbonate sheet outer layer with "tree" motif adhesive vinyl transfer.

**DISPLAY**  
12mm thick Surinno solid surface resin composite in colour Alabaster supporting proprietary chromed wire gridwall display system from Cynton Wire Products fixed back to wall with galvanised mild steel angle brackets fixed into metal wall studs or battens between studs for support.

**WALL FINISH**  
15mm thick oriented strand board (OSB) semi-gloss varnished to inside and outside of kiosk, fixed to metal furring studs with self tapping screws, holes to be filled with wood filler in colour to match board and leveled prior to varnishing

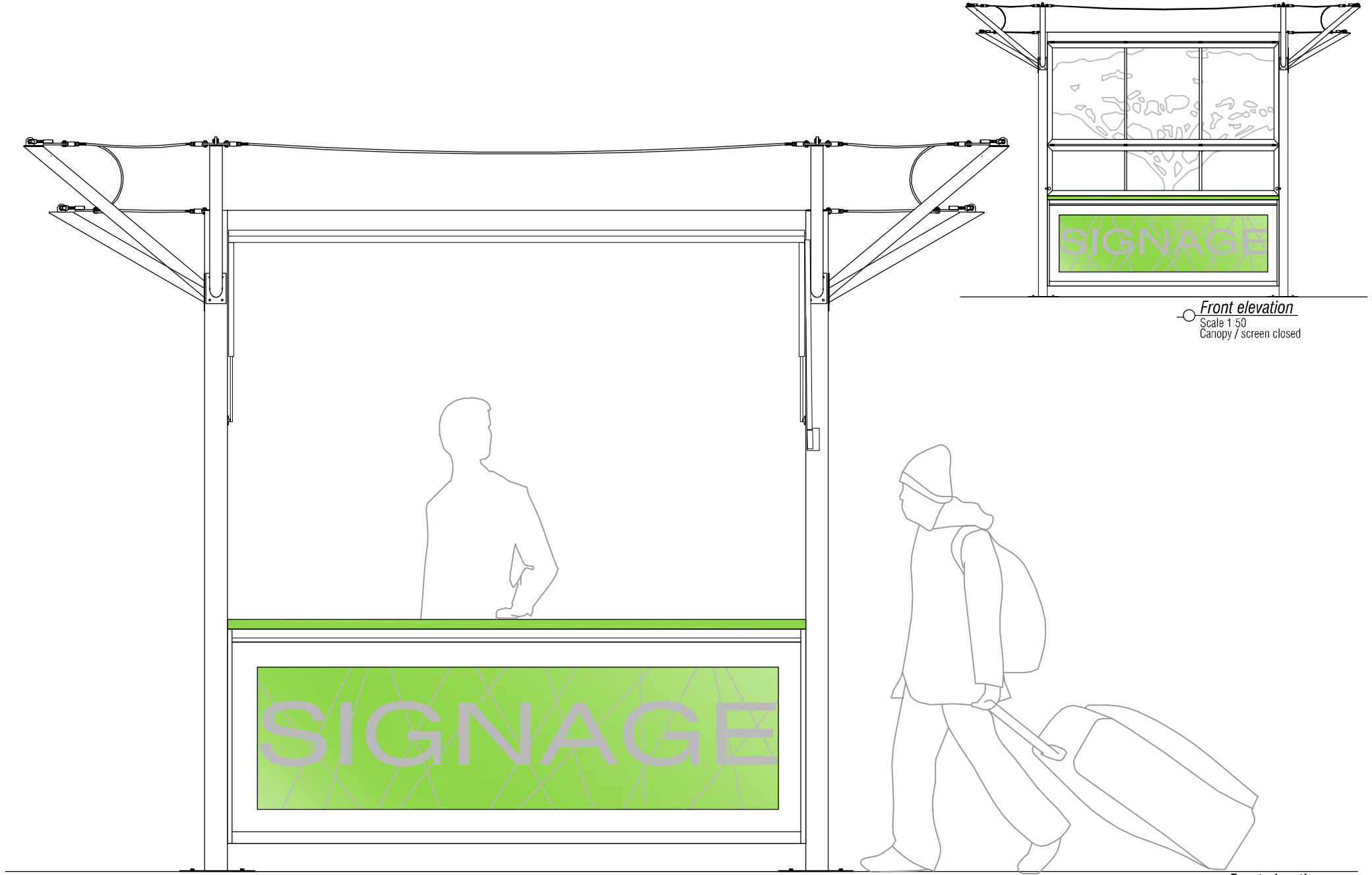
**ELECTRICAL**  
Distribution board with minimum 3 no. micro circuit breakers (MCB's) and earth leakage test switch to engineer's specification. Provide 2 no double sockets at under counter level (with cable outlet in worktop) to front and back counters and 3 gang light switch. 4 no integrated PVC conduits allow for wiring from station mains power from kiosk sides, back or top (for supply from overhead cable tray)

18mm thick oriented strand board (OSB) floor finish painted one layer white floor paint to allow retention of OSB surface texture, fixed to steel substructure with self tapping screw, holes in OSB to be filled with wood filler and leveled prior to painting

**FLOOR STRUCTURE**

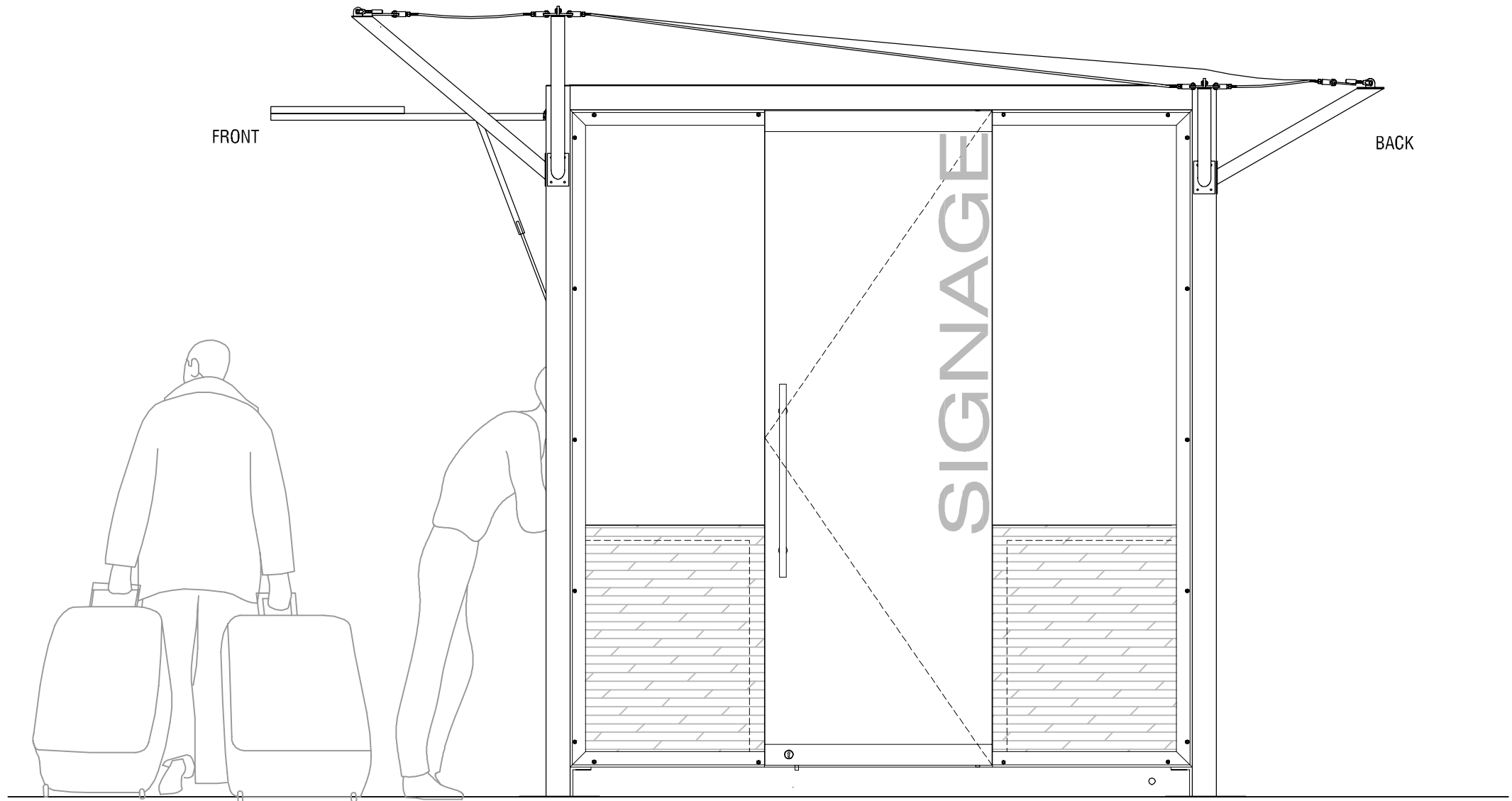
75x50x20x2mm deck of Clotan galvanised mild steel lipped channel grid at 445mm centres, with channels pre-punched to allow fixing with self-tapping screws, bolted to corner columns. Openings for PVC conduit pre-cored. 915x915x20mm thick protective neoprene rubber underlay sheets cut to size with adhesive backing fixed to substrate flooring (ceramic tiles / terrazzo)

**Section A-A**  
Scale 1:20

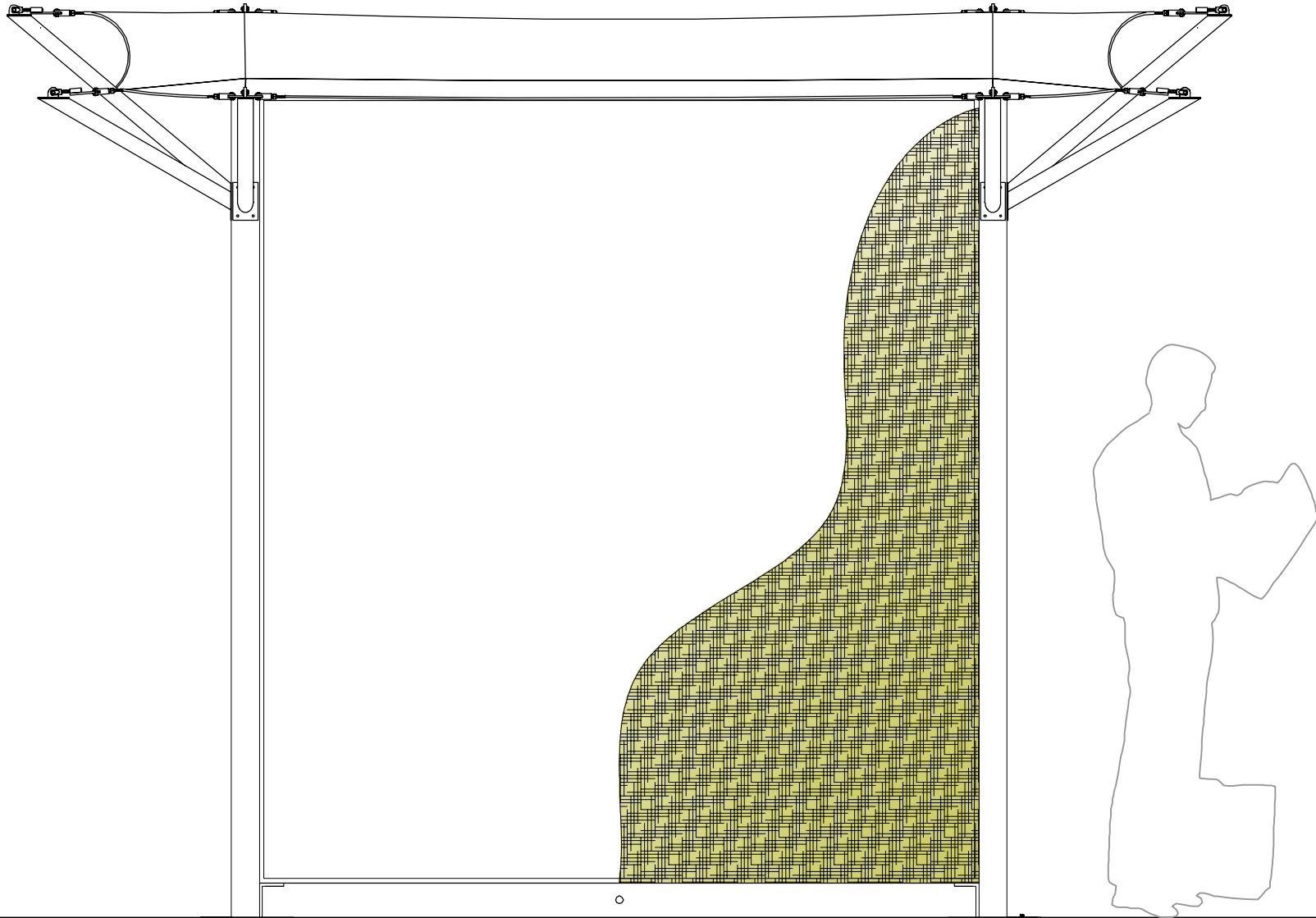


○ *Front elevation*  
Scale 1:50  
Canopy / screen closed

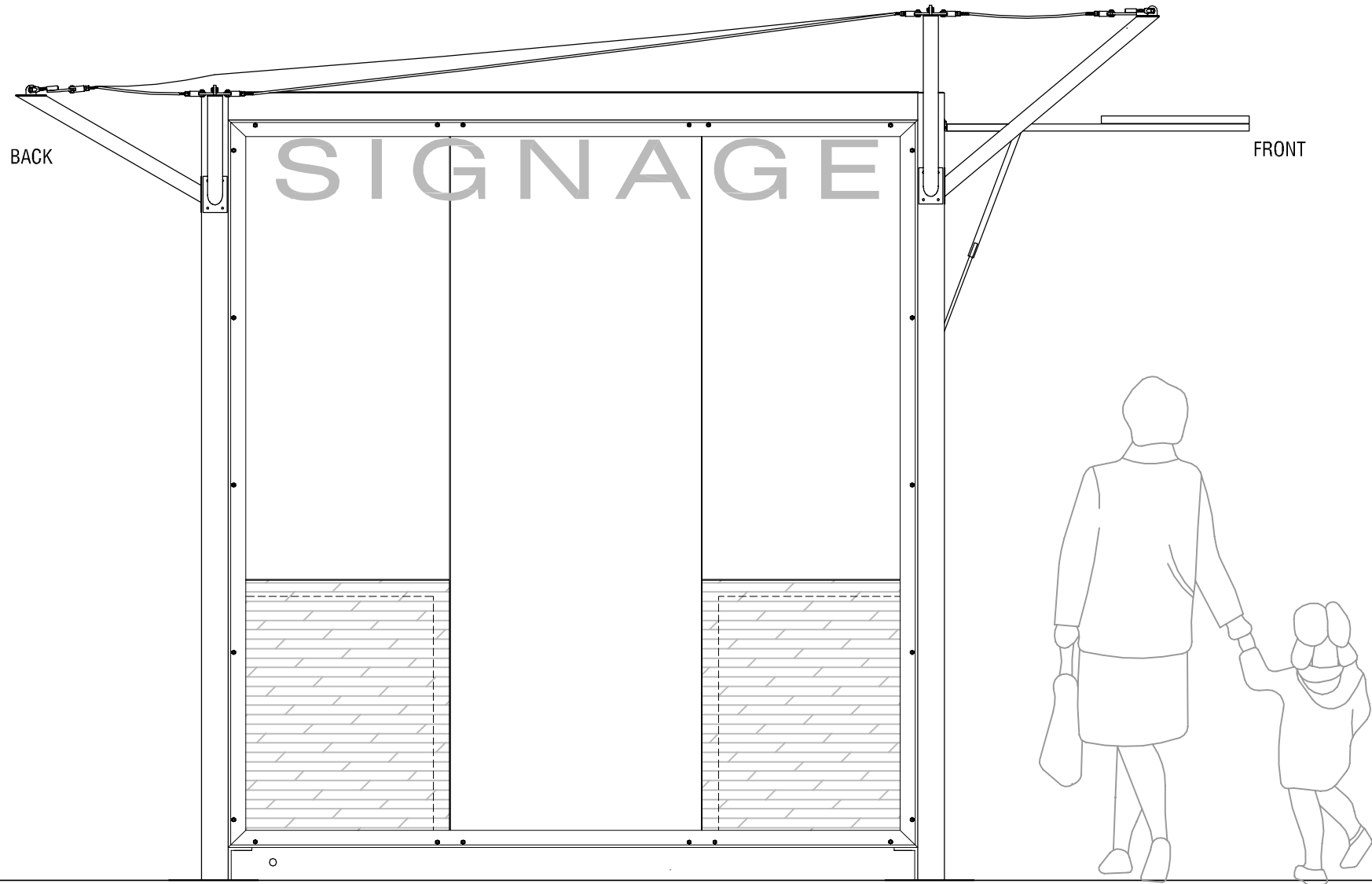
○ *Front elevation*  
Scale 1:20



Left elevation  
Scale 1:20

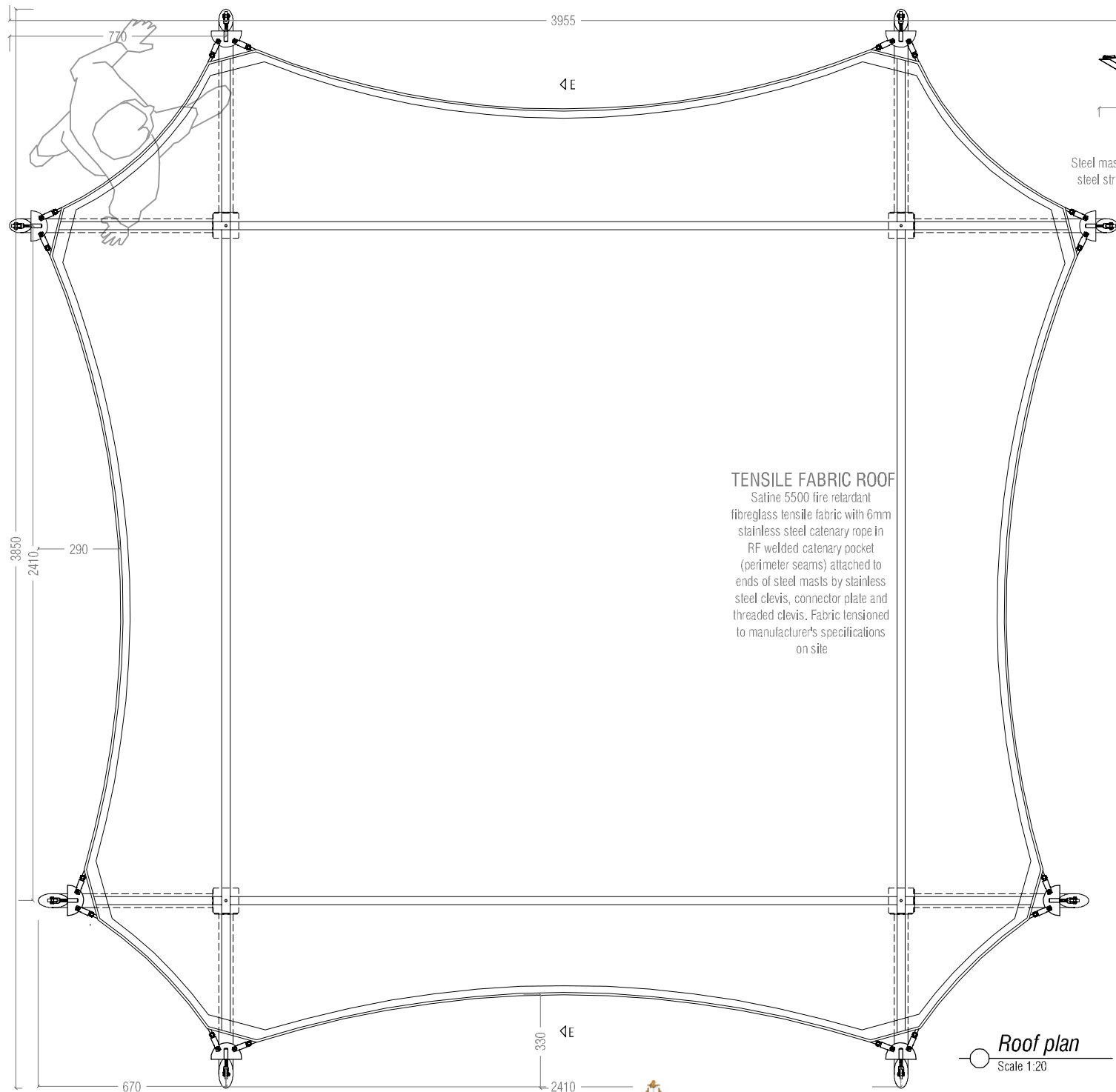


○ *Back elevation*  
Scale 1:20



*Right elevation*  
Scale 1:20



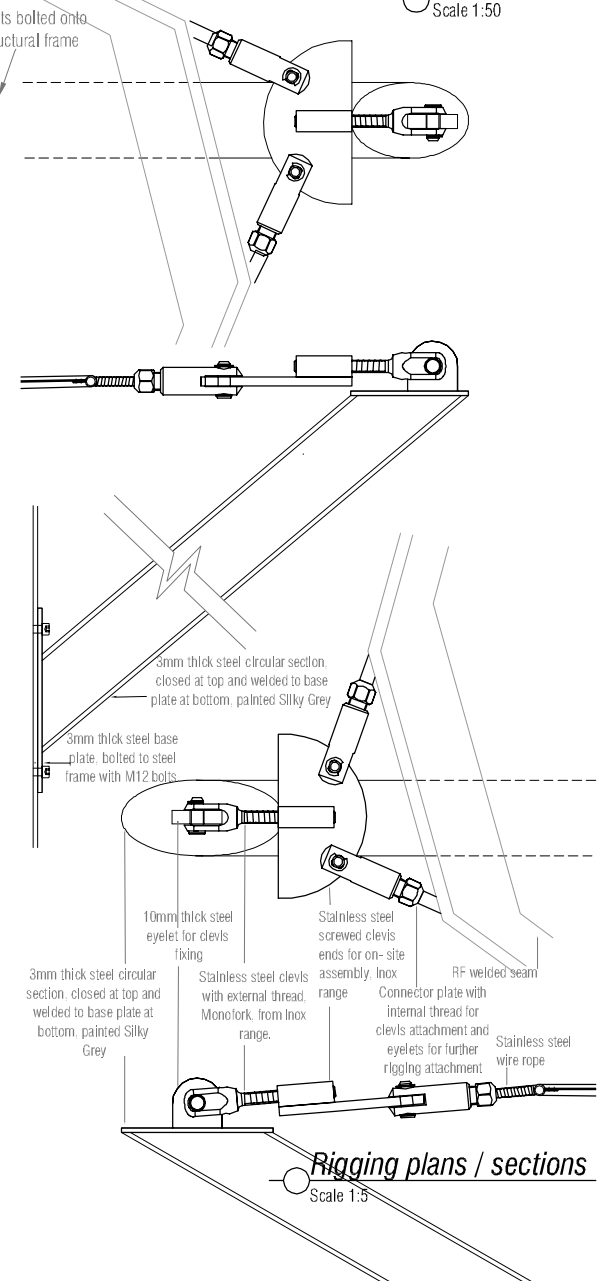


**TENSILE FABRIC ROOF**

Satine 5500 fire retardant fibreglass tensile fabric with 6mm stainless steel catenary rope in RF welded catenary pocket (perimeter seams) attached to ends of steel masts by stainless steel clevis, connector plate and threaded clevis. Fabric tensioned to manufacturer's specifications on site

Steel masts bolted onto steel structural frame

Section E-E  
Scale 1:50



**Roof plan**

Scale 1:20



16mm Saligna timber ceiling slats screw fixed to steel lipped channels, satin varnish finish. 15mm offset between slats.



Trebant 230V adjustable, surface mounted light with 50W GU10 halogen lamp, fitted flush with ceiling surface. Two timber ceiling slats to either side of light fittings remain removable for maintenance.

