

TECHNICAL REPORT



Figure 2.1: North perspective of complex.

8.1 List of Drawings

page 135	Building images
page 136	Site plan
page 137	Building image
page 138	Ground floor plan
page 140	First floor plan
page 142	North and east elevations
page 144	South and west elevations
page 146	Section A and B
page 148	Section C and D
page 150	Section E and F
page 152	Section G and H
page 154	Section J
page 155	Section K
page 156	Section L
page 157	Section M
page 158	Section N
page 159	Section P
page 160	Building images
page 161	Detail A
page 162	Detail B
page 163	Detail C
page 164	Detail D
page 165	Detail E
page 166	Detail F



Figure 9.2: Bell tower at main entrance

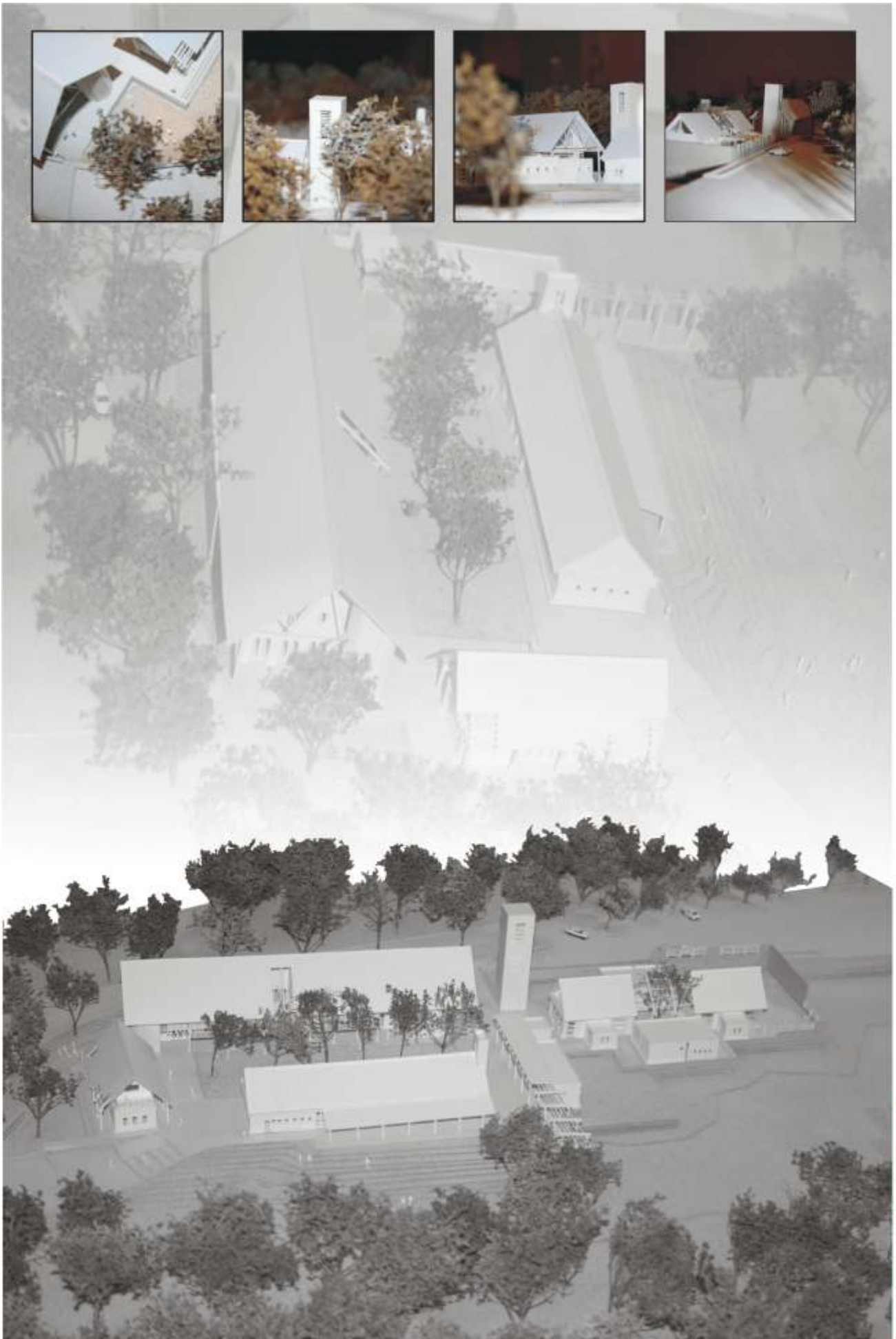


Figure 9.3 Images of the proposed building complex.

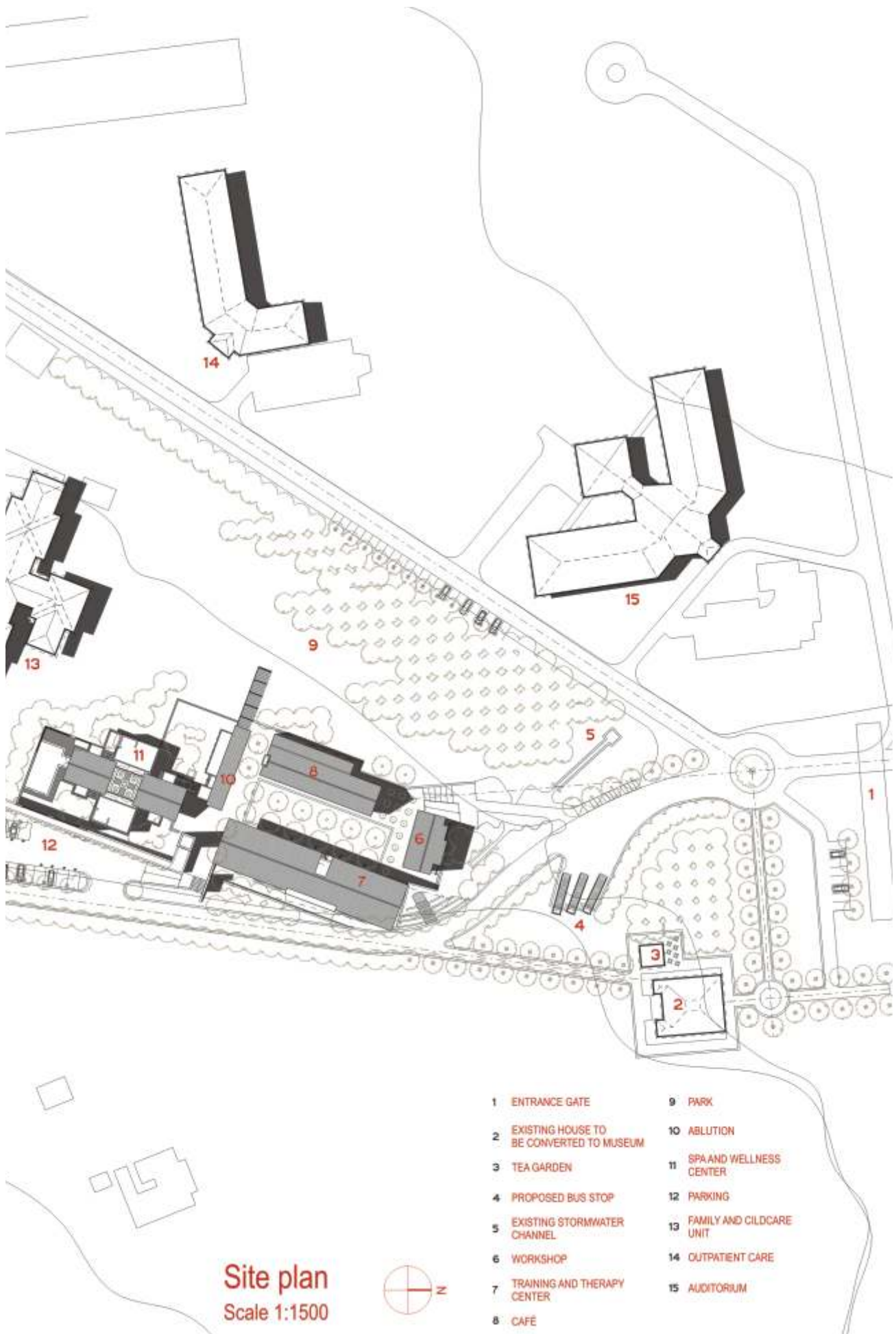




Figure 9.4: Bell tower as seen from parking area



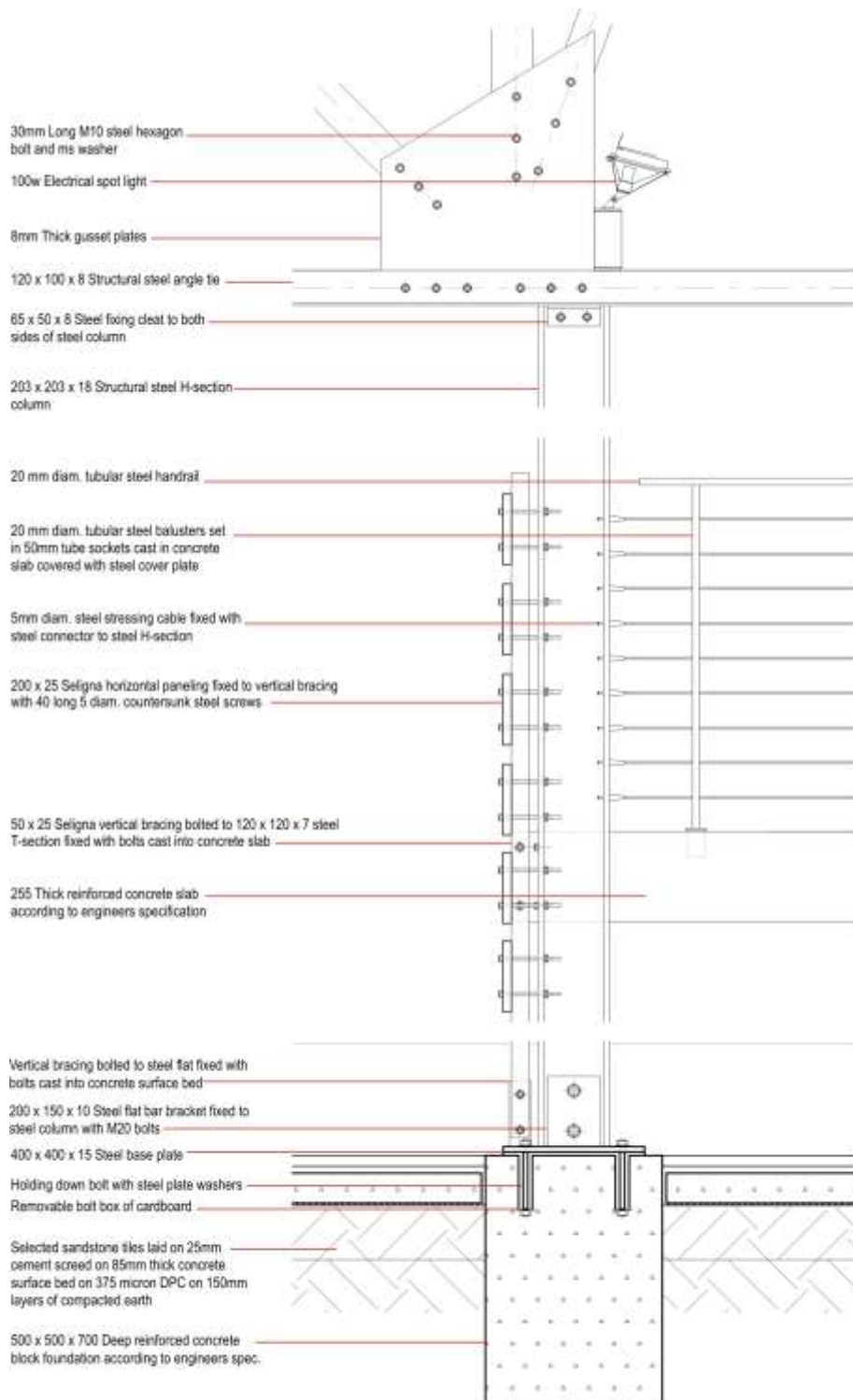
Figure 9.5: South-west perspective of workshop



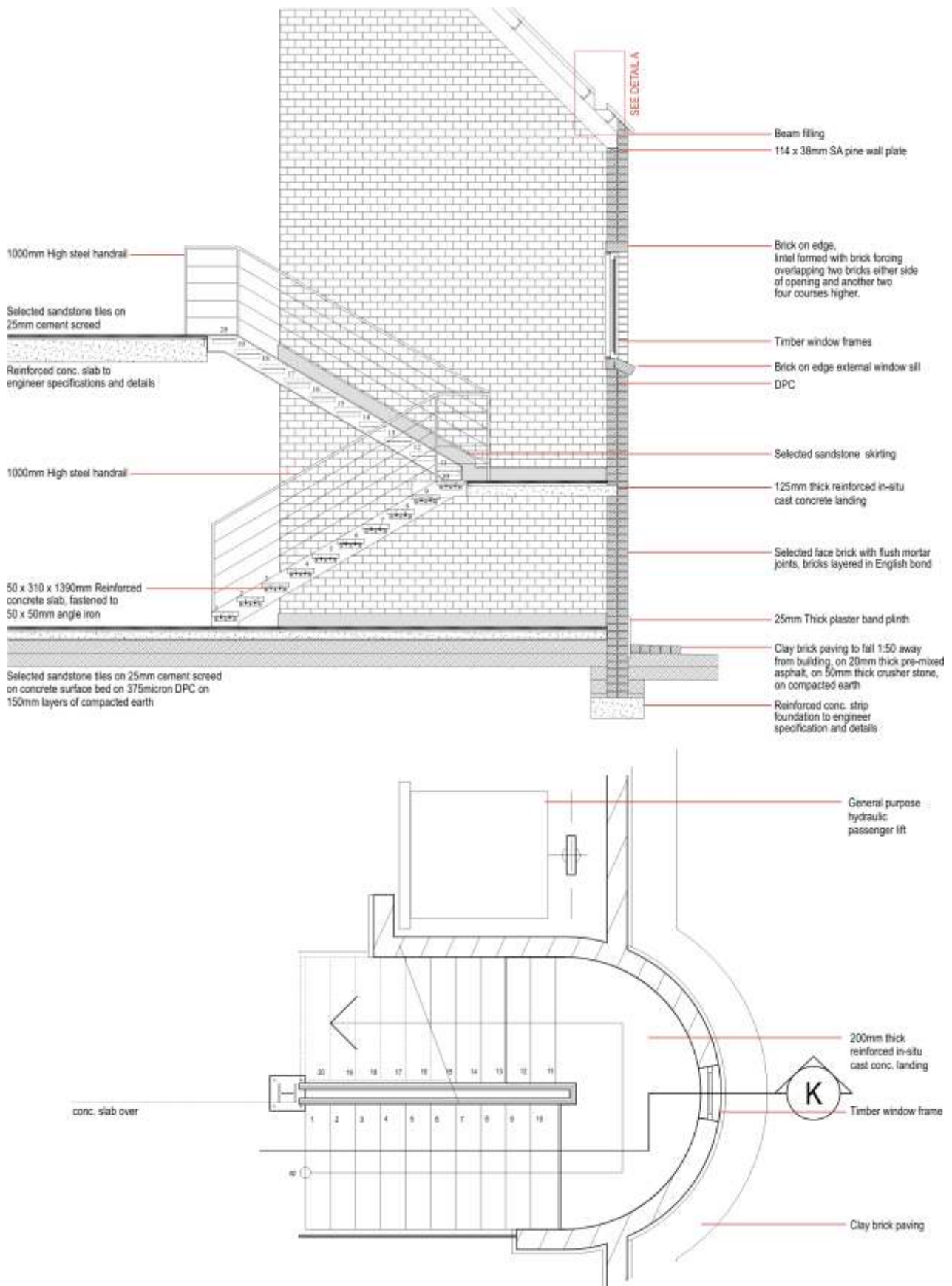
Figure 9.6: North-west perspective of training and therapy center and workshop



Figure 9.7: Complex tower



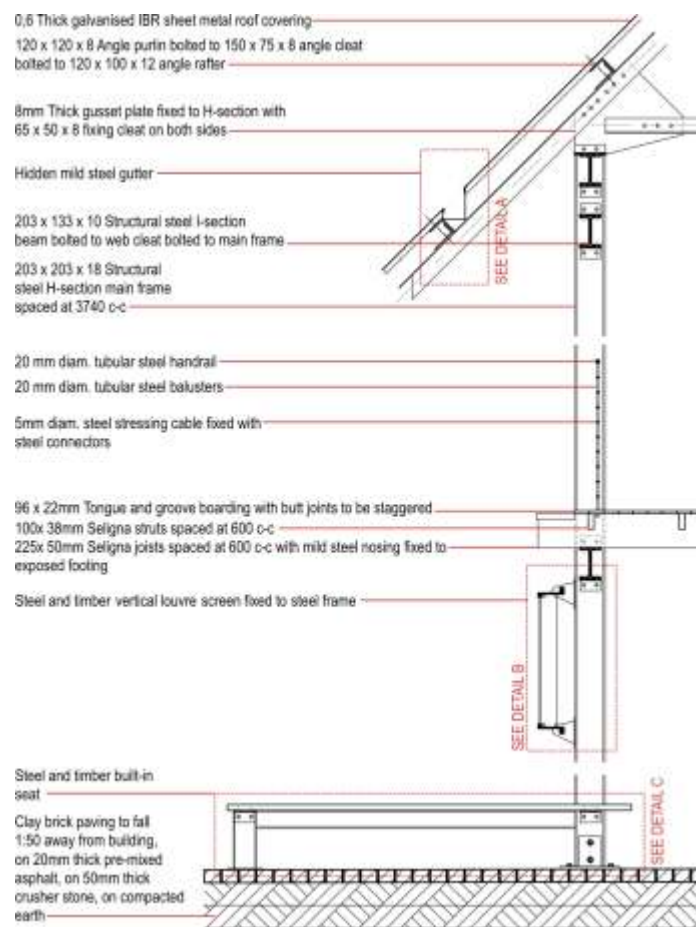
SECTION J - TIMBER SCREEN AND STEEL COLUMN
 Scale 1:20



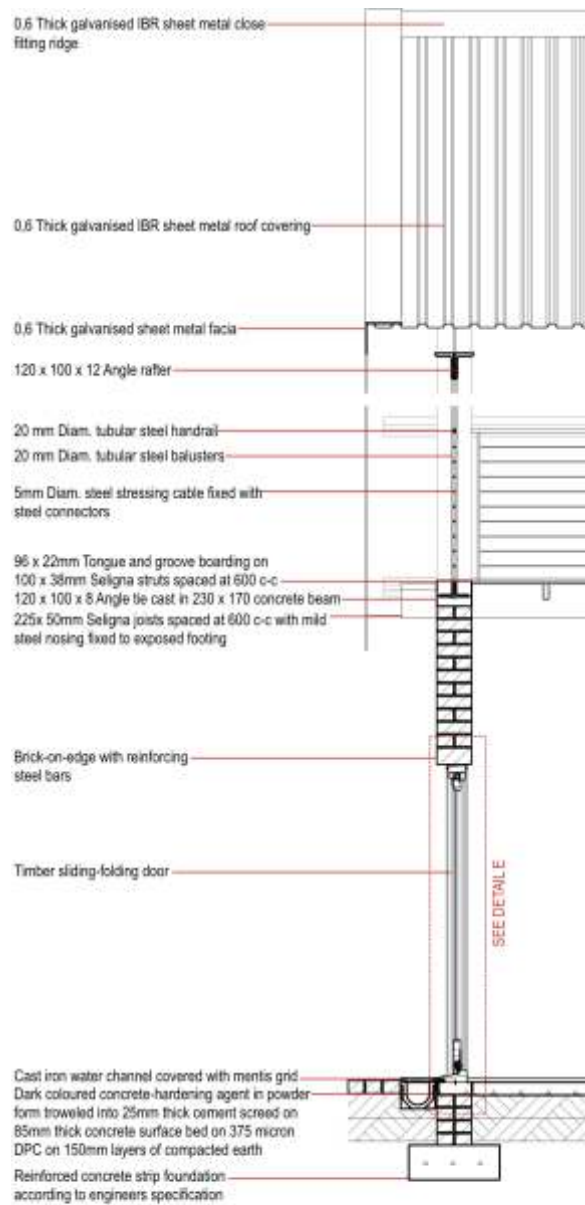
SECTION K - TRAINING AND THERAPY CENTER STAIR DETAIL
 Scale: Not to scale



Figure 9.8: Training and therapy center's west facade



SECTION L - TRAINING AND THERAPY CENTER'S WEST FACADE
 Scale 1:50



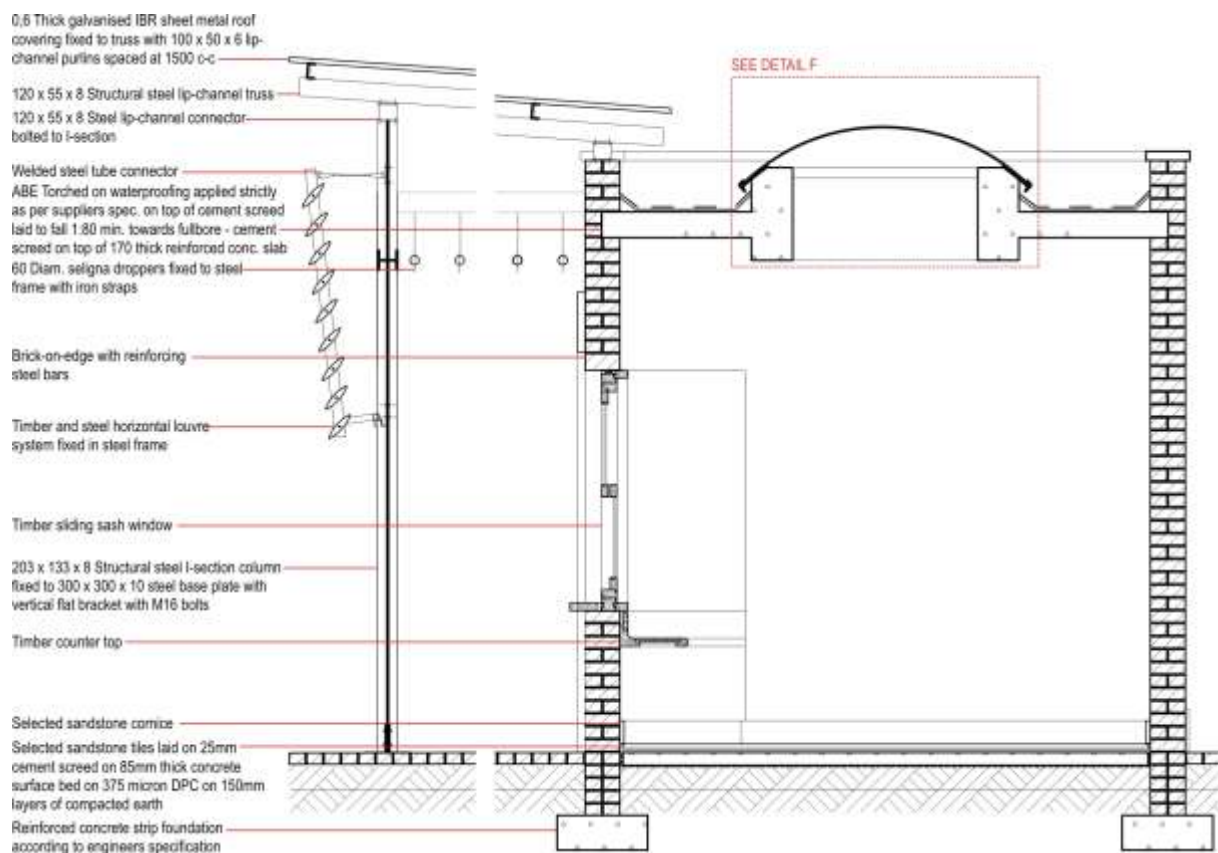
SECTION M - WORKSHOP'S EAST FACADE
 Scale 1:50



Figure 9.9: View from primary movement path



Figure 9.10: View of ablution block and restaurant



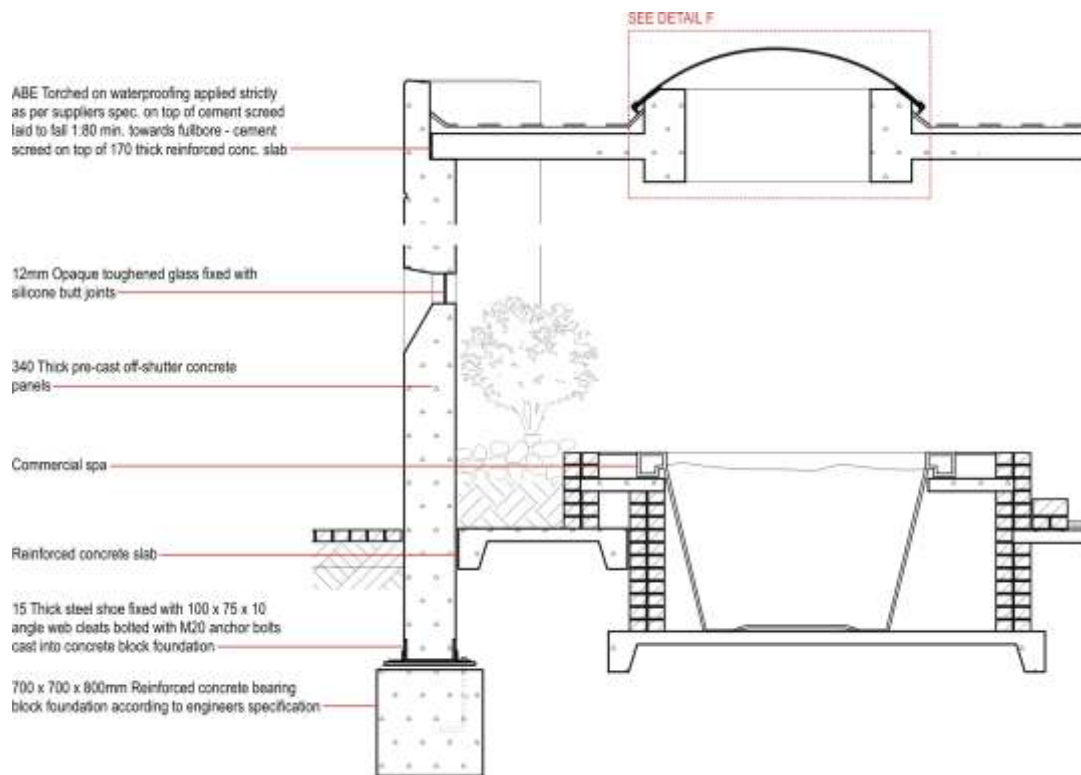
SECTION N - INFORMATION DESK AND COVERED WALKWAY
Scale 1:50



Figure 9.11: View of pool area at health hydro



Figure 9.12: View of pool area at health hydro



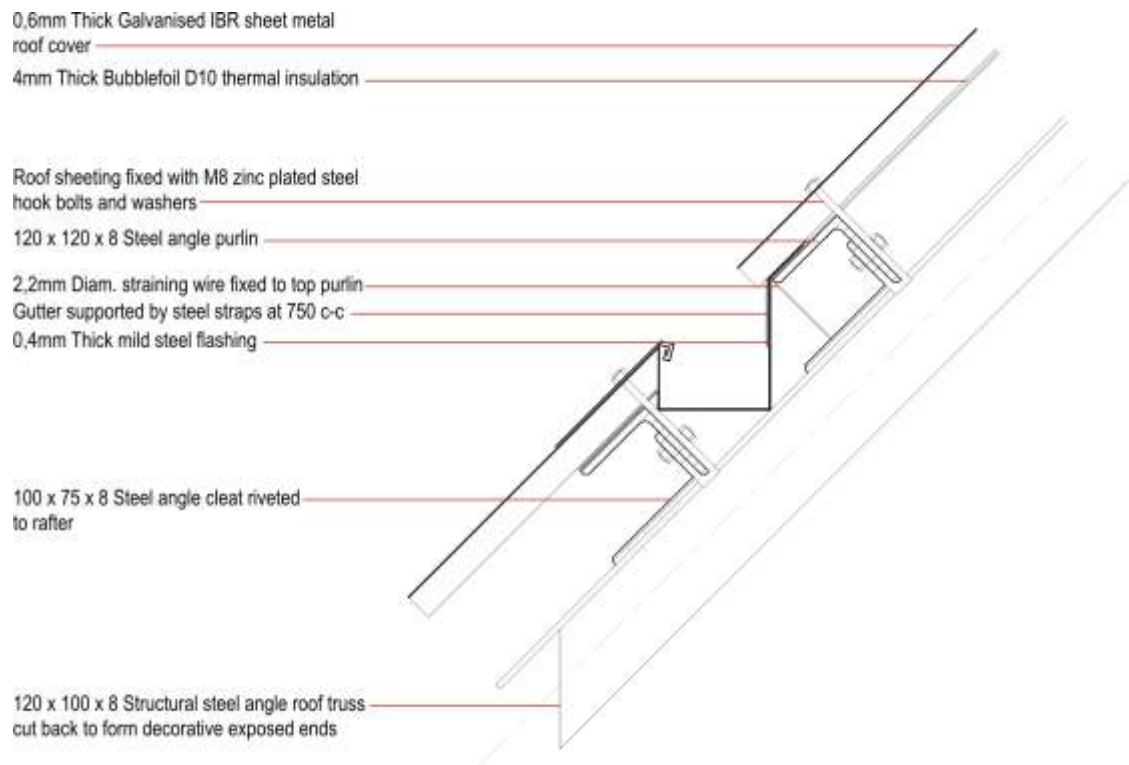
SECTION P - HEALTH HYDRO SPA AND PLANTER
Scale 1:50



Figure 9.13: View of outdoor and indoor pool and lounge at health hydro



Figure 9.14: Entrance to health hydro

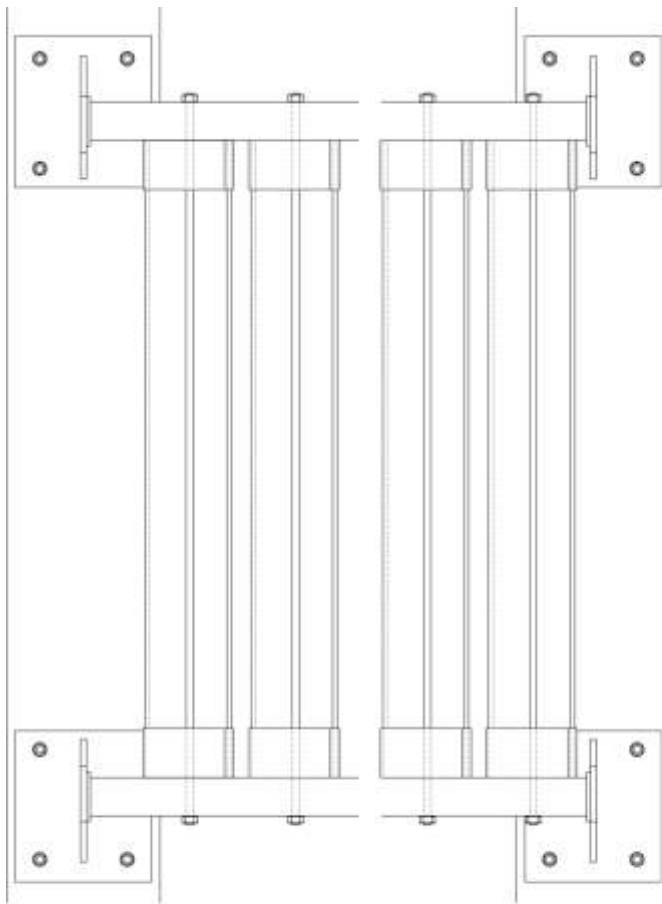


DETAIL A - HIDDEN GUTTER

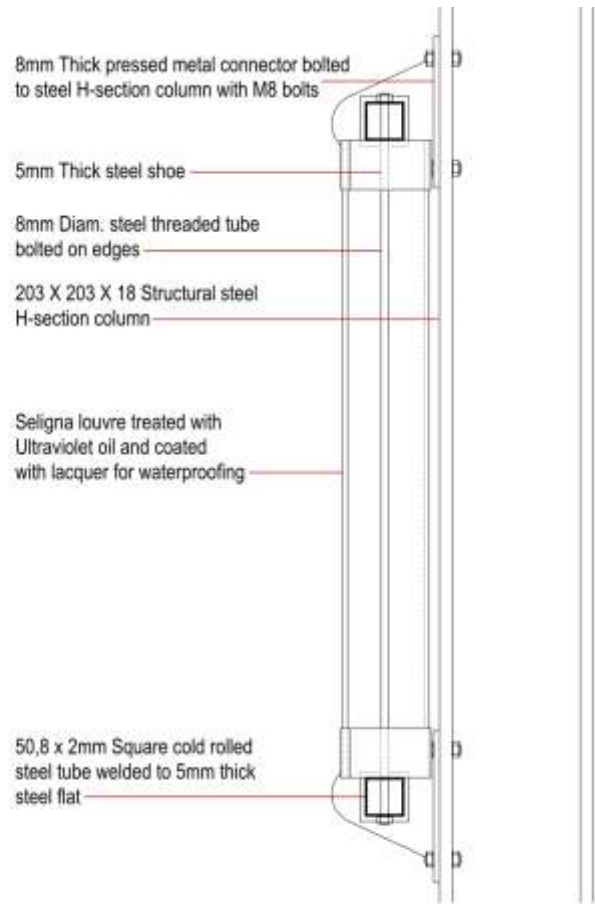
Scale 1:10



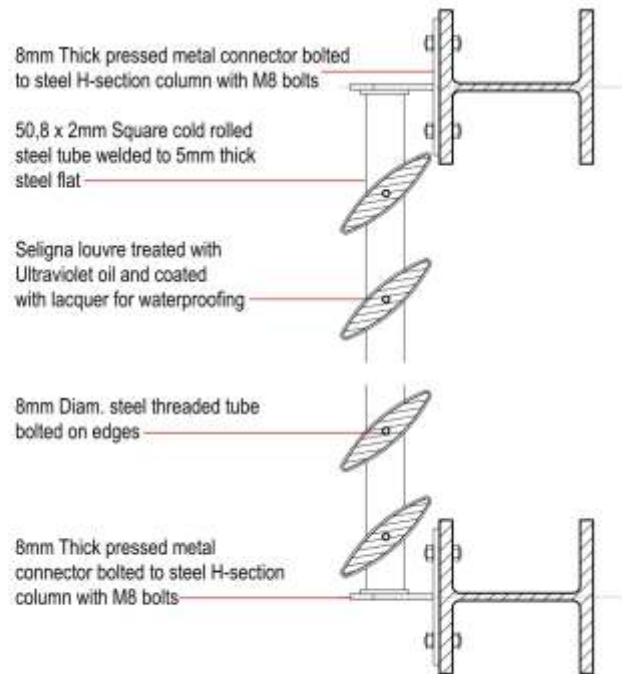
Figure 9.15: View of rooftops



ELEVATION



SECTION



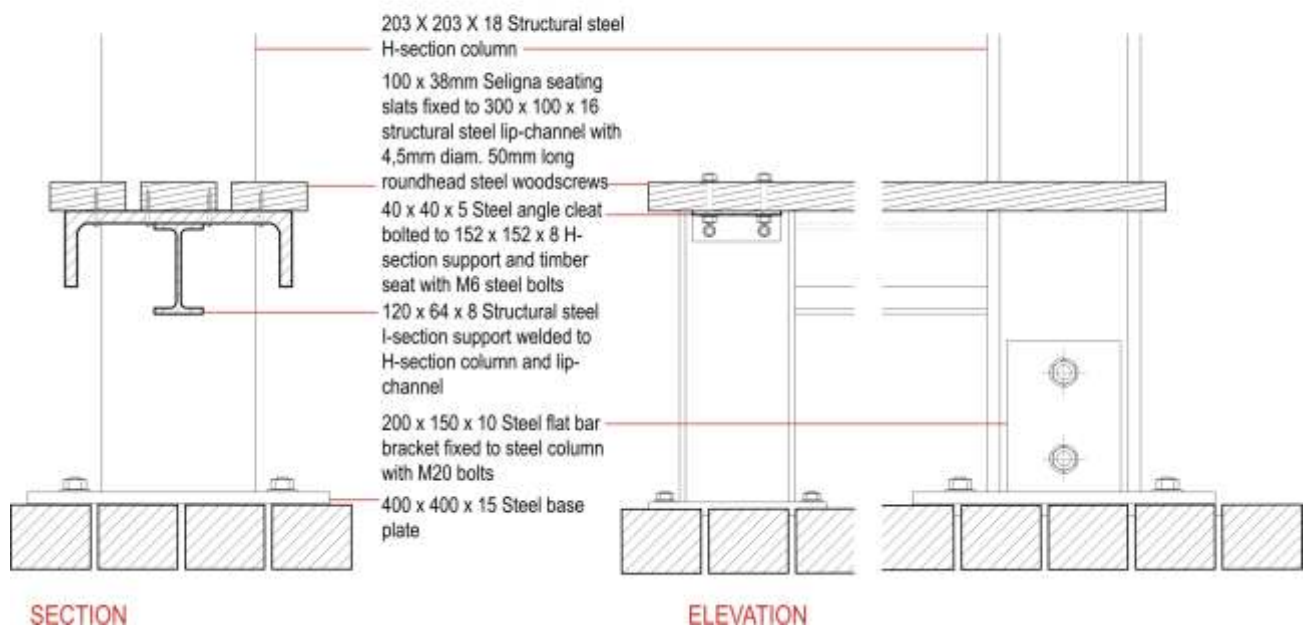
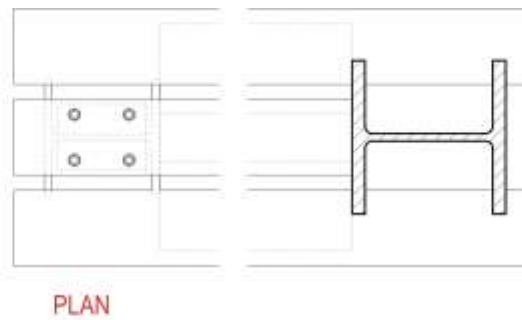
PLAN

DETAIL B - VERTICAL LOUVRE SYSTEM

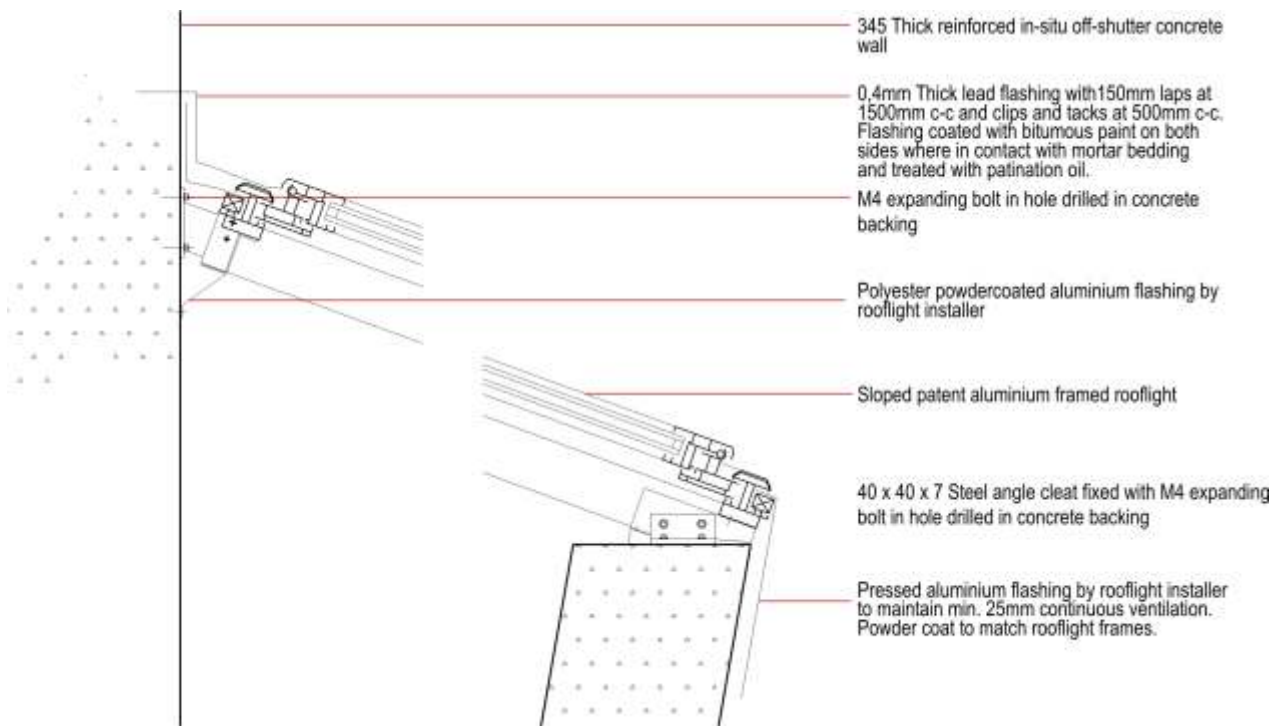
Scale 1:10



Figure 9.16: Built-in seat at training and therapy center



DETAIL C - BUILT-IN TIMBER AND STEEL SEAT
Scale 1:10

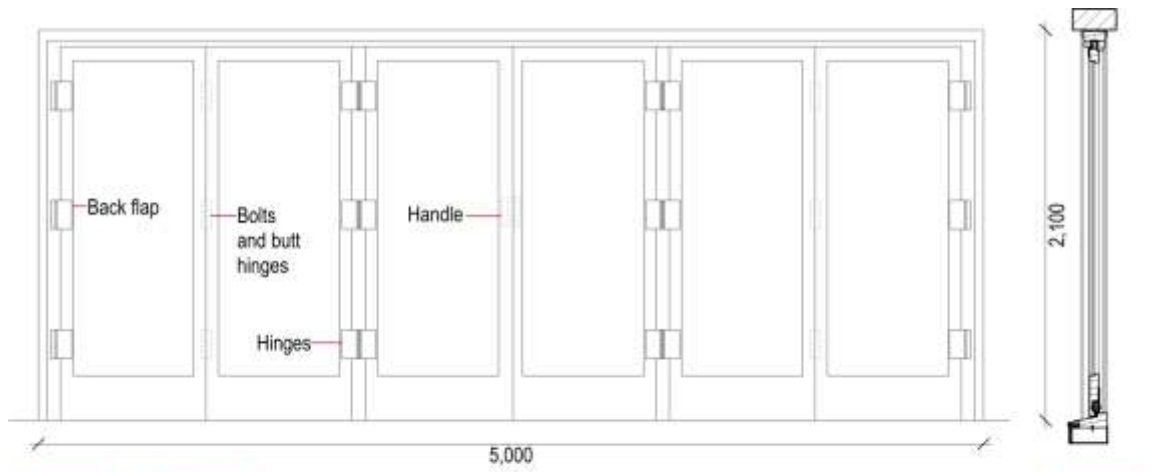


DETAIL D - ROOFLIGHT FOR CONCRETE SEAT

Scale 1:10

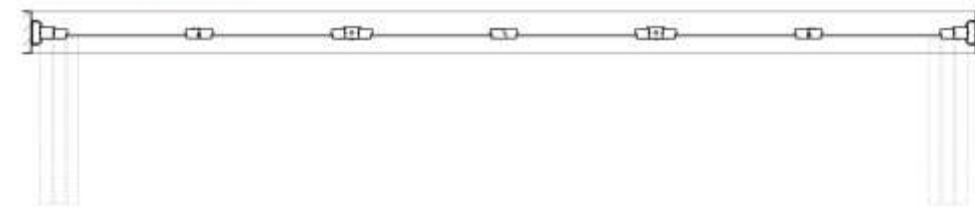


Figure 9.17: North-east perspective of training and therapy center

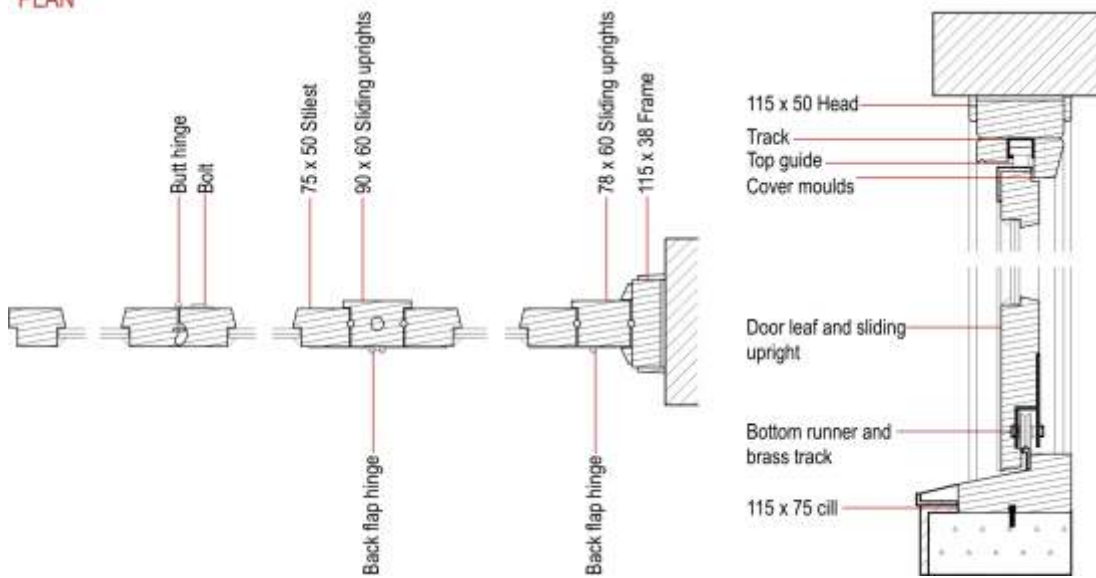


EXTERNAL ELEVATION

SECTION

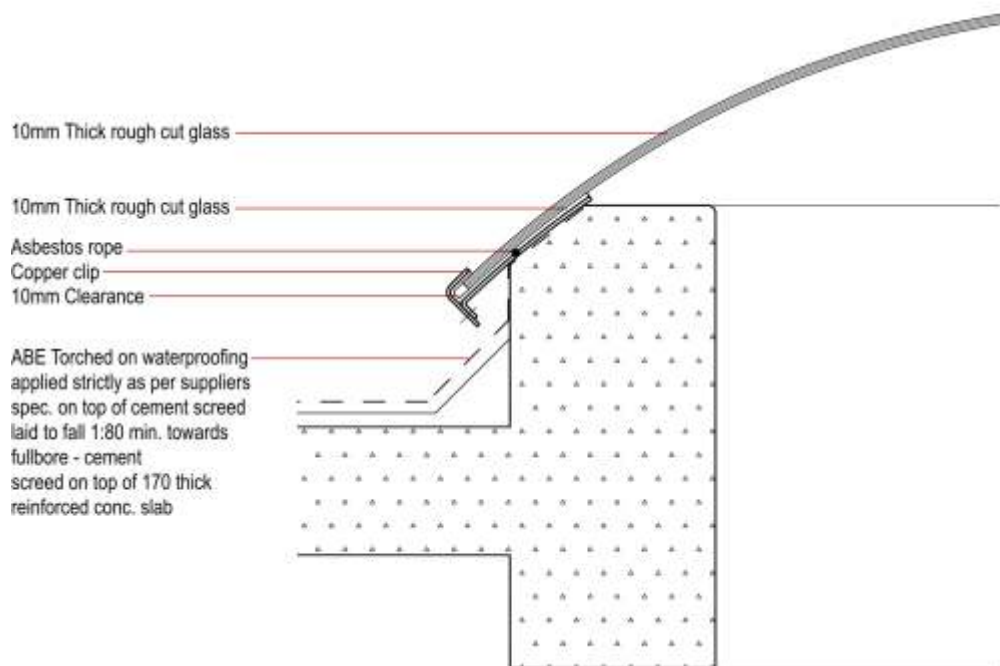
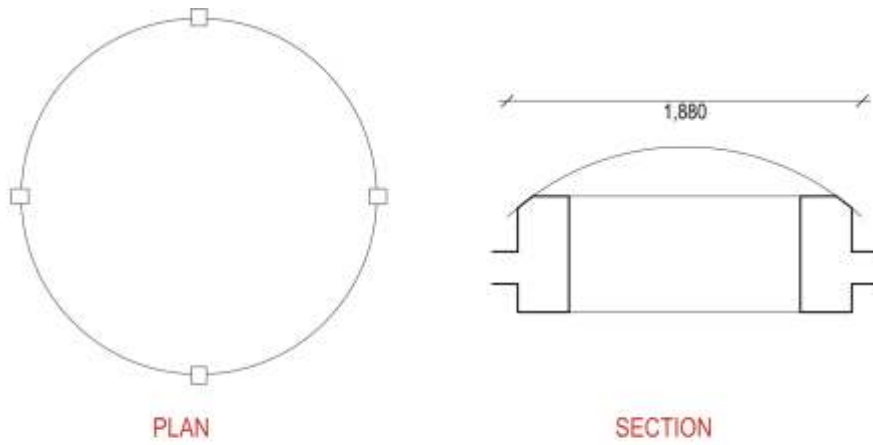


PLAN



DETAIL E - SLIDING-FOLDING DOOR

Scale 1:10



DETAIL F - DOME ROOFLIGHT
Scale 1:10