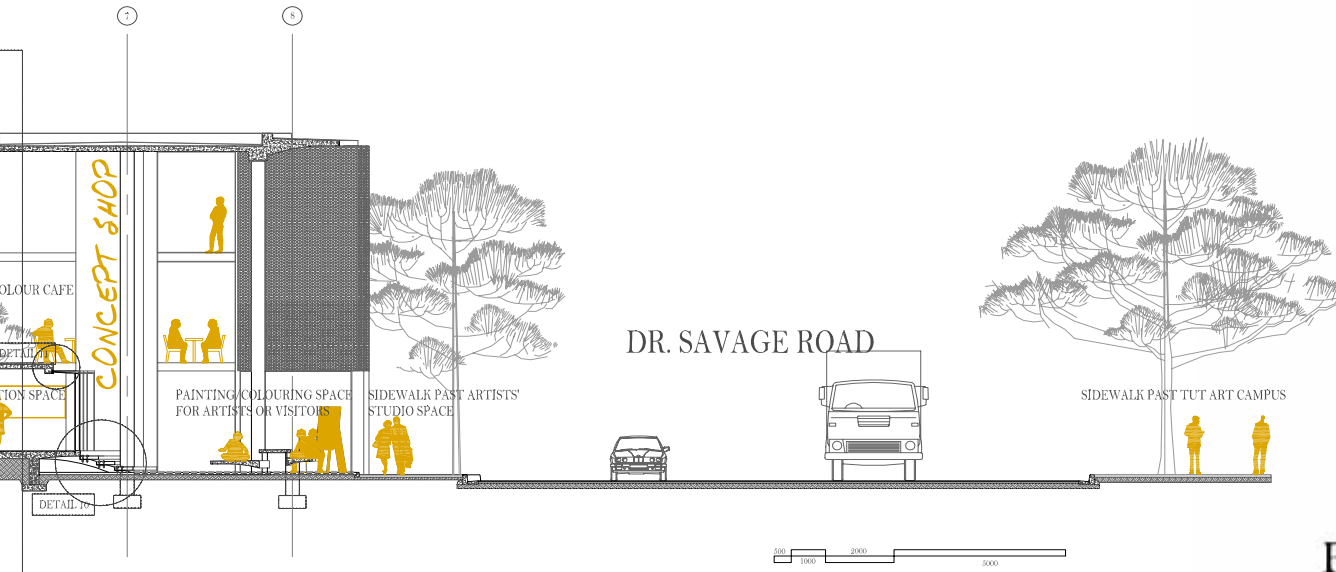
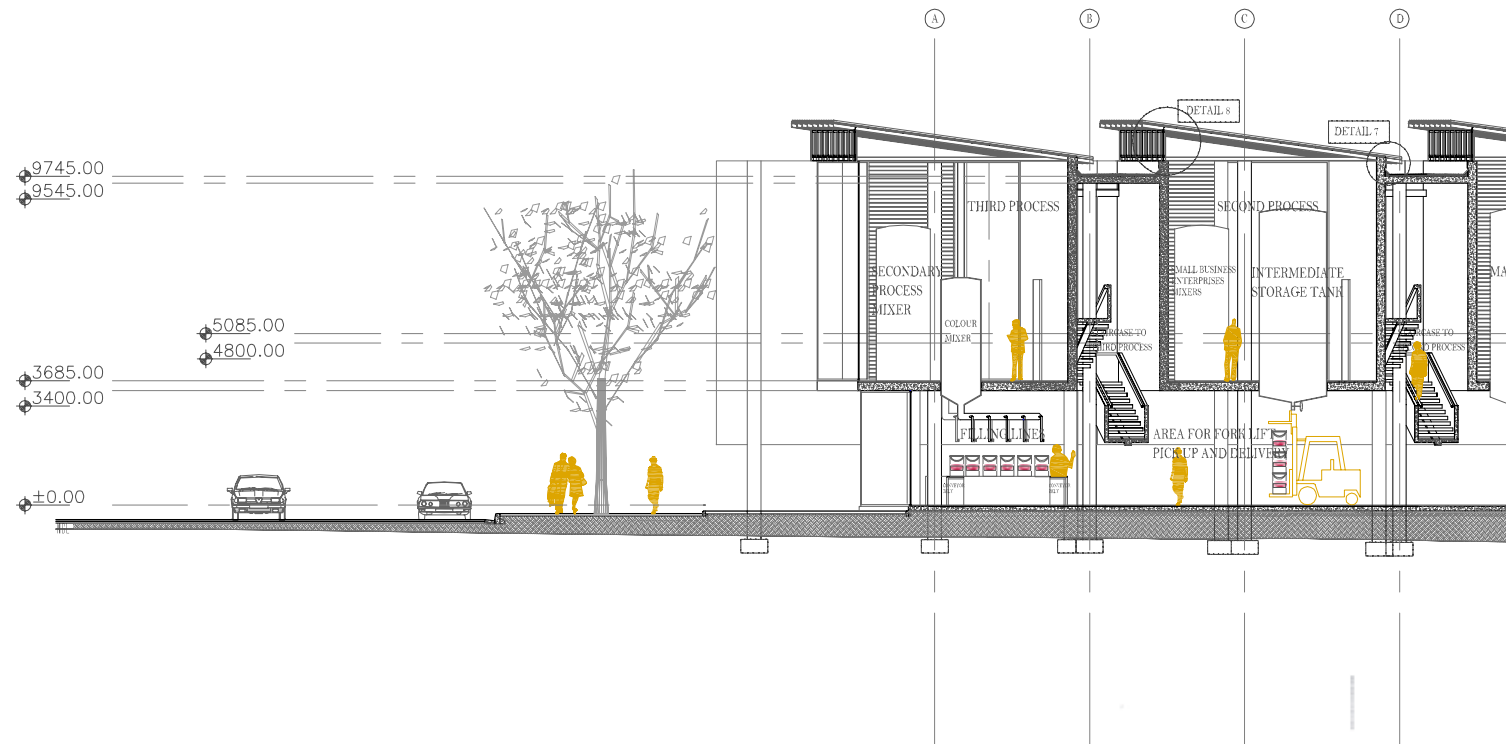
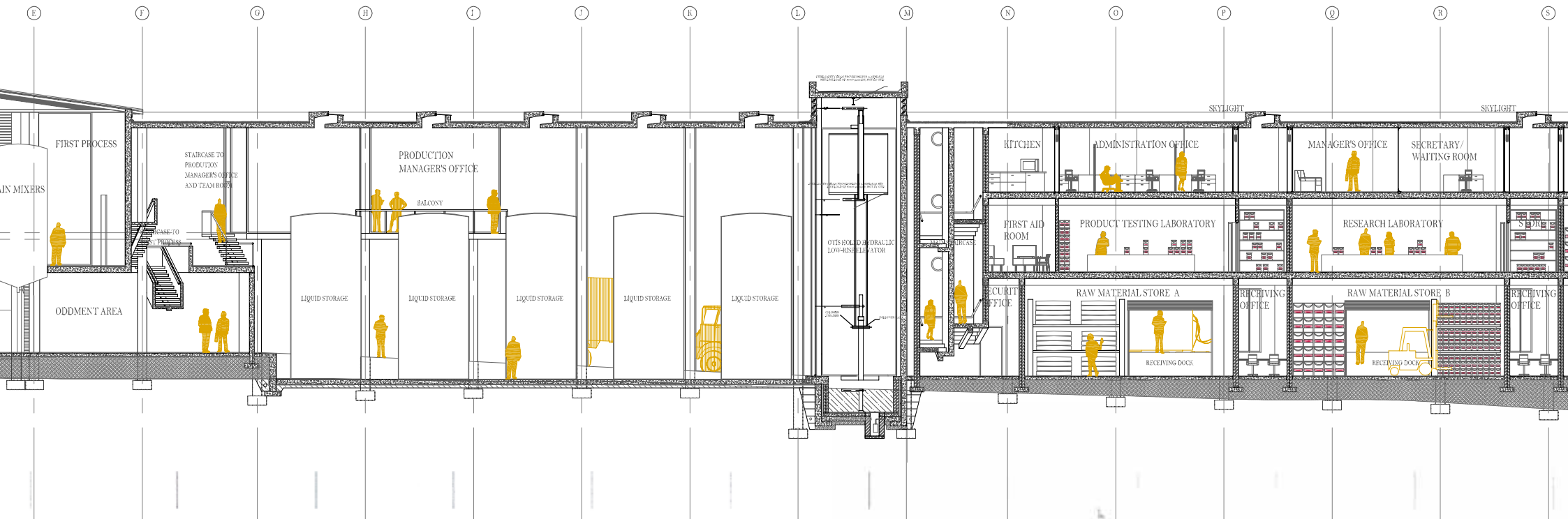


SECTION A-A

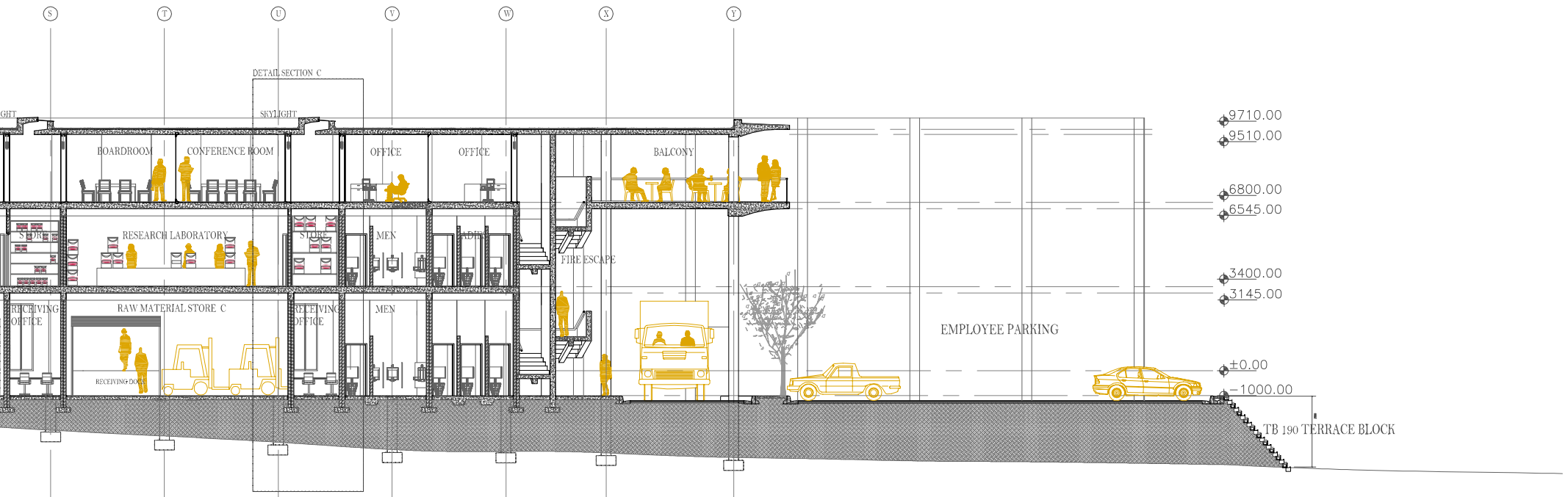


EXISTING STRUCTURE
SECTION C-C

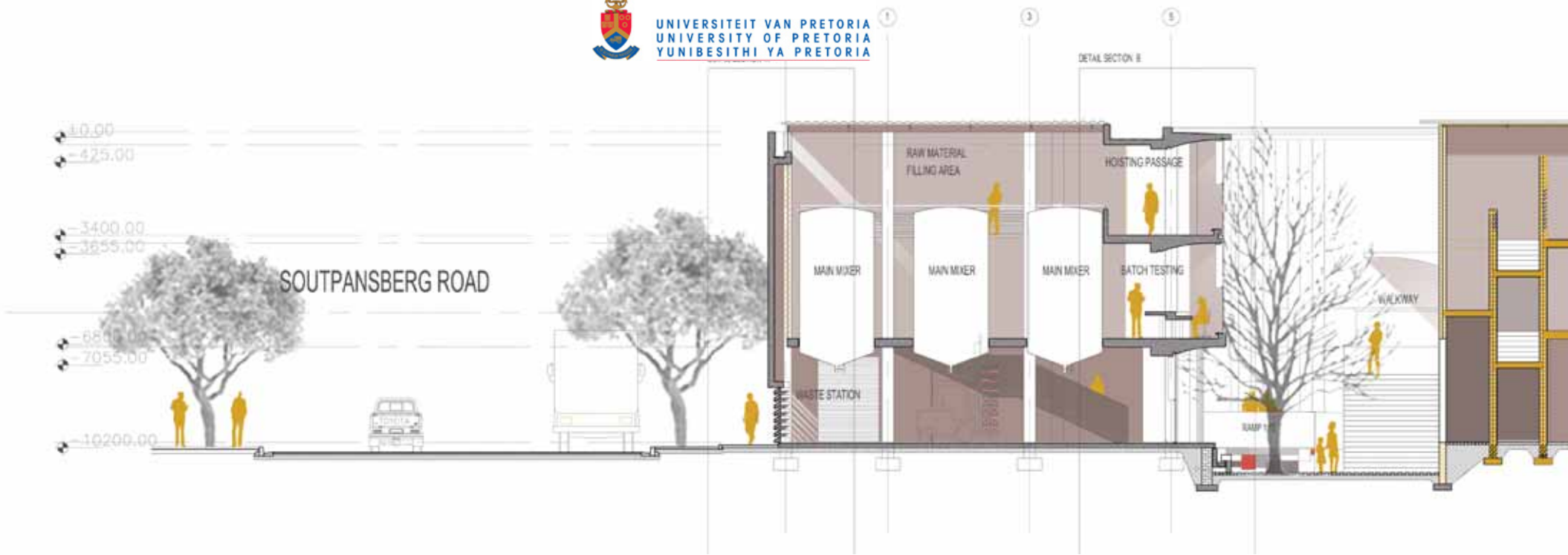




NTS
SECTION B-B



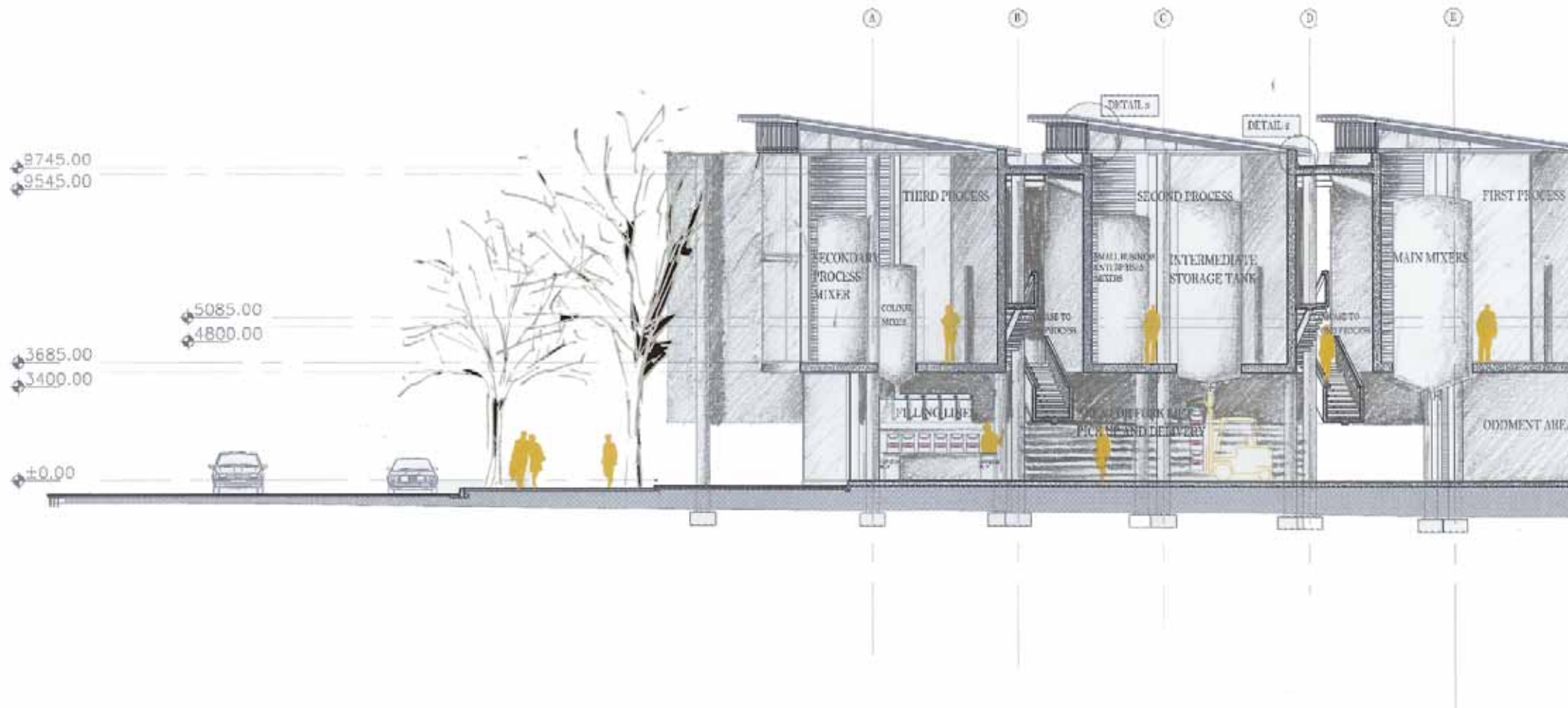


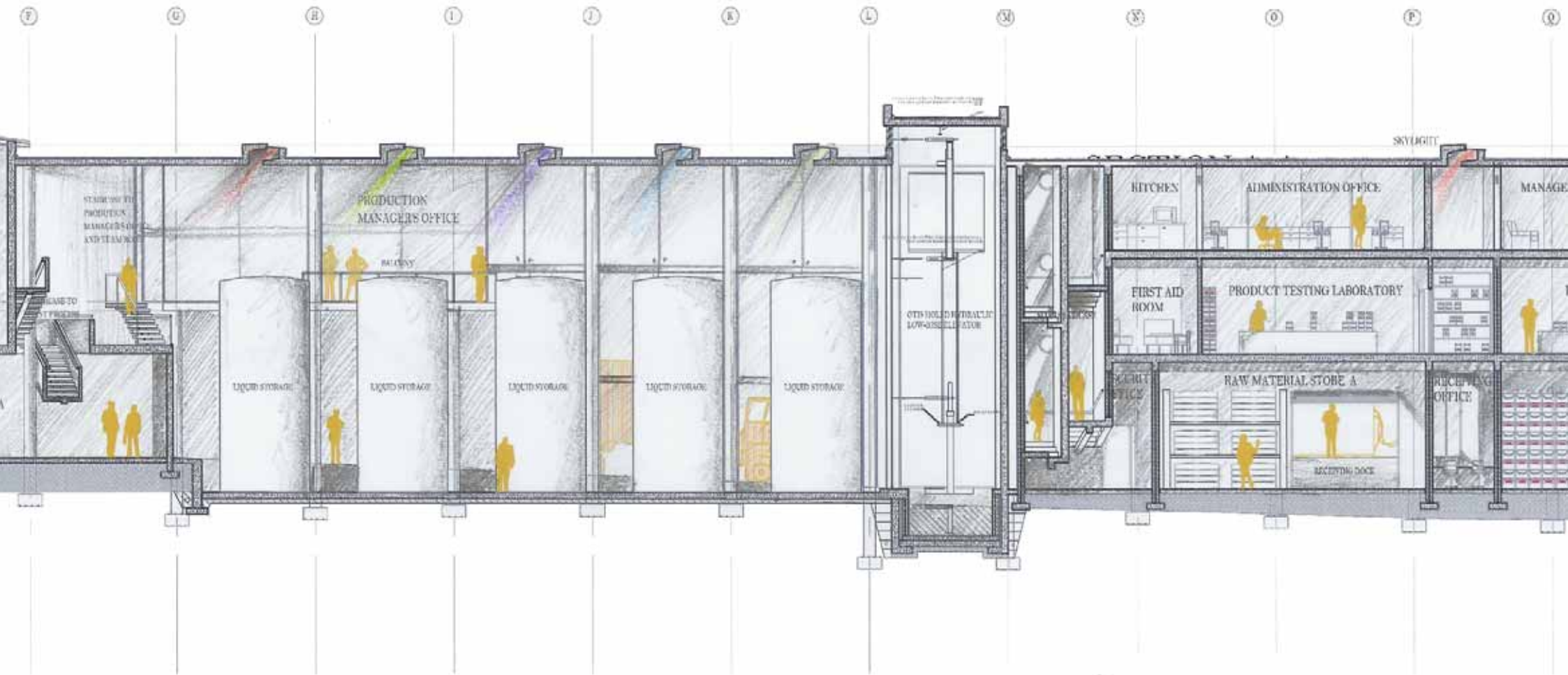




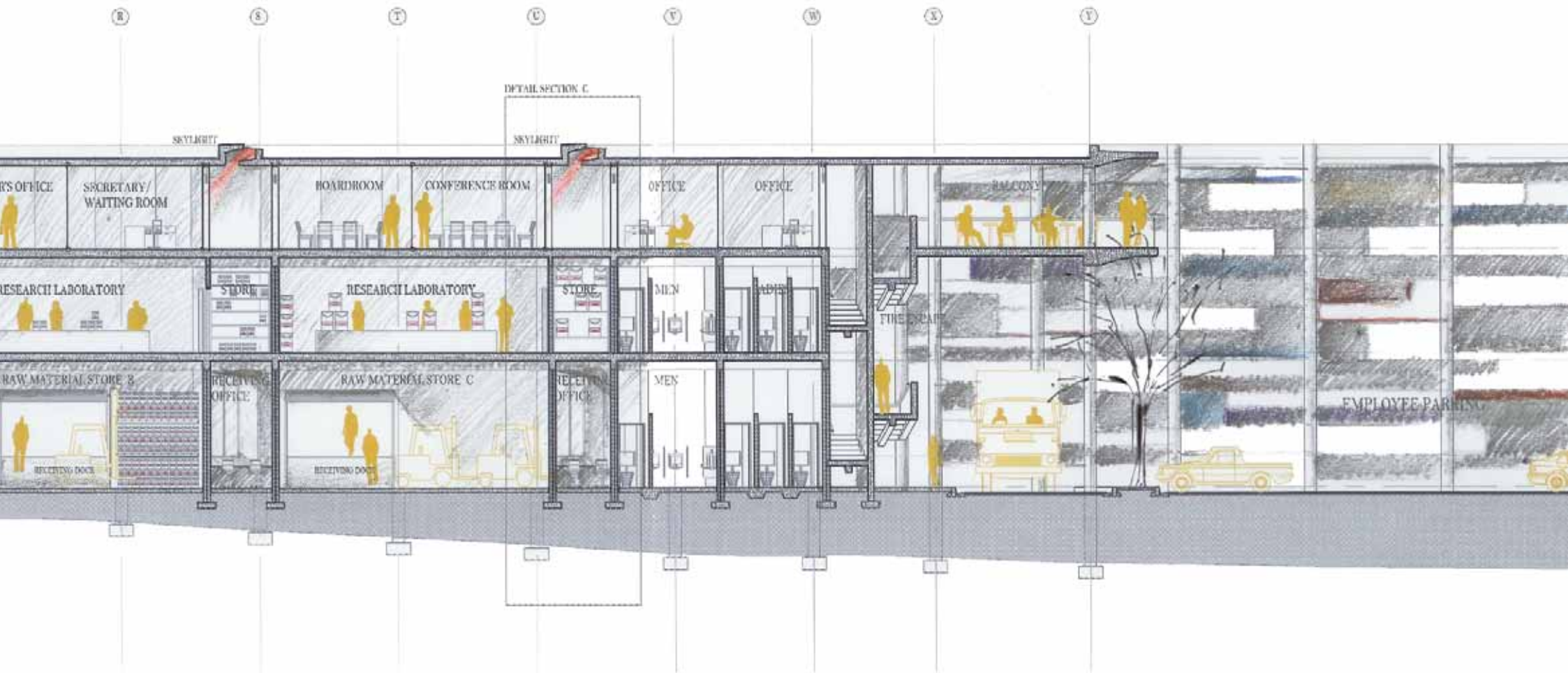
SECTION A-A RENDERING







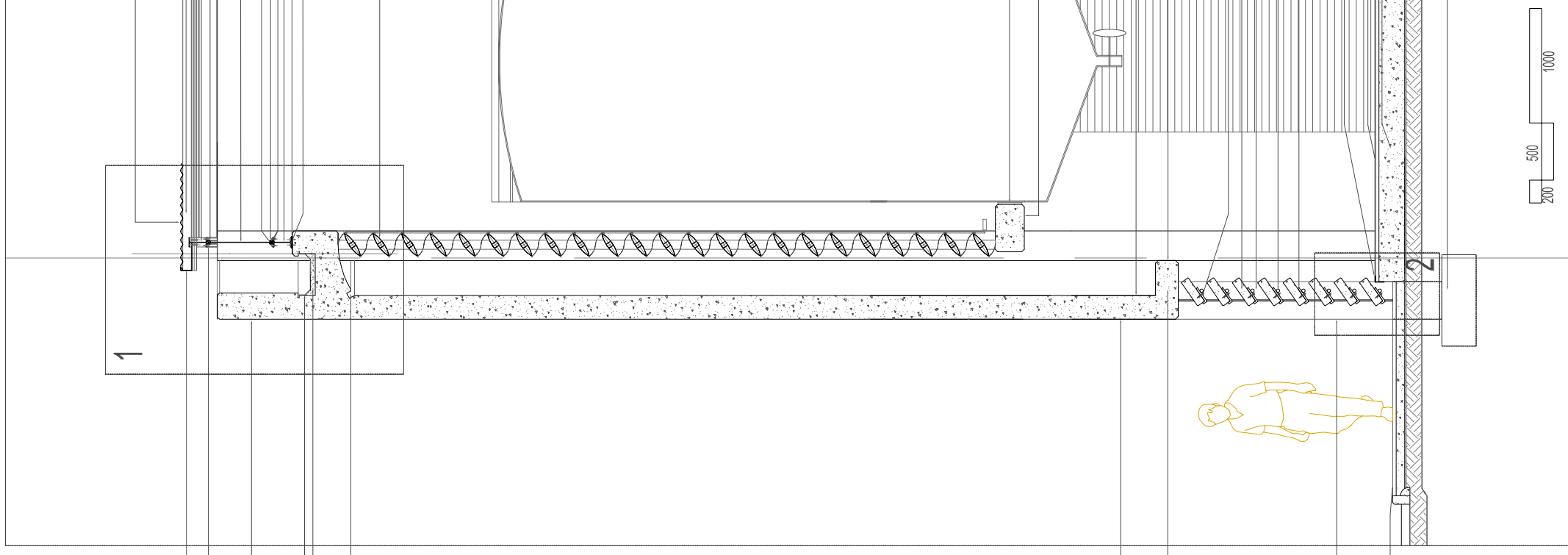
NTS
SECTION B-B HAND RENDERING





NTS
SECTION B-B HAND RENDERING

DETAIL SECTION A



S-PROFILE GALVANIZED CORRUGATED STEEL ROOF SHEETING @ 17 DEGREE PITCH

75 X 50 X 2 STEEL UPRIG CHANNEL
FLOOR @ 1100
STEEL SECTION
TO 20 X 20 X 2MM STEEL CORNER BRACE

4MM CLEAR FLOAT GLASS

5-TMM SILICONE TOPPING
TO 20 X 20 X 2MM STEEL CORNER BRACE
NEOPRENE SETTING BLOCK 100MM @ 750
100 X 8 X 8 STEEL PLATE
WALL JOINT
M6 EXPANSION BOLT

250 X 51 ALUMINIUM LUXALON ALUMISORBE
AERODOL 250M² LOUIRE

0.8MM EPDM COATED STEEL SHEET FLASHING SCREWED TO CONCRETE SLAB WITH 10MM GAP BETWEEN FLASHING & ROOF SHEETING SO THAT FLASHING DOES NOT BOUNCE

M6 EXPANSION BOLT (SABS 135)

200MM OFF-SHUTTER REINFORCED CONCRETE WALL CAST WITH TIMBER PLANK SHUTTERING

CONCRETE WALKERS FOR WIND WATERPROOFING MEMBRANE
30MM WIND INSULATING SKEED JAO TO FALL 1:10 TO FILLBORE

CAST IN EDGE DETAIL

NEOPRENE RUBBER

FORMAL CAST REINFORCED REINFORCED CONCRETE SLAB

200MM OFF-SHUTTER REINFORCED AREA (WELSH SAE/ALPINE GREEN/PULM SCALE) CONCRETE WALL CAST WITH TIMBER PLANK SHUTTERING

200 X 100MM OFF-SHUTTER REINFORCED CONCRETE BEAM CAST WITH TIMBER PLANK SHUTTERING

FORMAL OFF-SHUTTER REINFORCED AREA (WELSH SAE/ALPINE GREEN/PULM SCALE) CONCRETE WALL CAST WITH TIMBER PLANK SHUTTERING

200 X 100MM OFF-SHUTTER REINFORCED CONCRETE BEAM CAST WITH TIMBER PLANK SHUTTERING

M6 EXPANSION BOLT

250 X 175 REINFORCED CONCRETE FINIS

300 DIAMETER REINFORCED CONCRETE COLUMN

30 DIAMETER ROUND STEEL PROFILE CAST INTO REINFORCED CONCRETE COLUMN

250 X 100 X 100MM OFF-SHUTTER REINFORCED CONCRETE BEAM CAST WITH TIMBER PLANK SHUTTERING

50 X 75 X 1 STEEL UNIDIRAM ANGLE FIED WITH EPDMY GLUE

300 DIAMETER OFF-SHUTTER REINFORCED CONCRETE COLUMN

80 X 80 X 80 CONCRETE SURFACE BED CAST WITH FALL 1:10 AWAY FROM BUILDING

EMPTY RESIN FLOUING APPLIED UNDO SKEED

FLOOR CONSTRUCTION ON 100MM REINFORCED CONCRETE FLOOR ON 25 MASON POLYURETH DAMP PROOF MEMBRANE ON 100MM WIND INSULATING WAFERS TO 800 MM AGSTIC

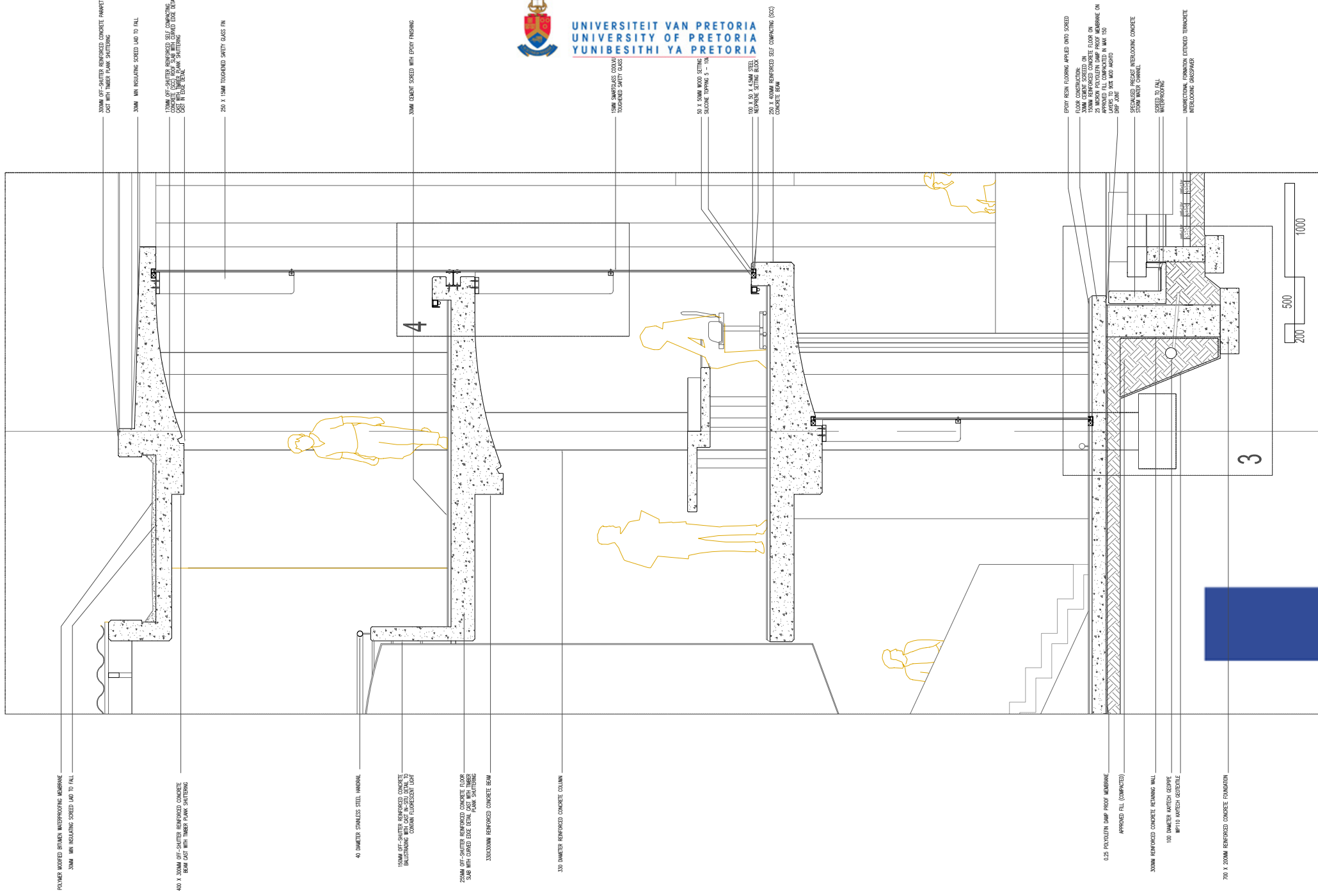
800 X 200 REINFORCED CONCRETE COLUMN FOOTING

200

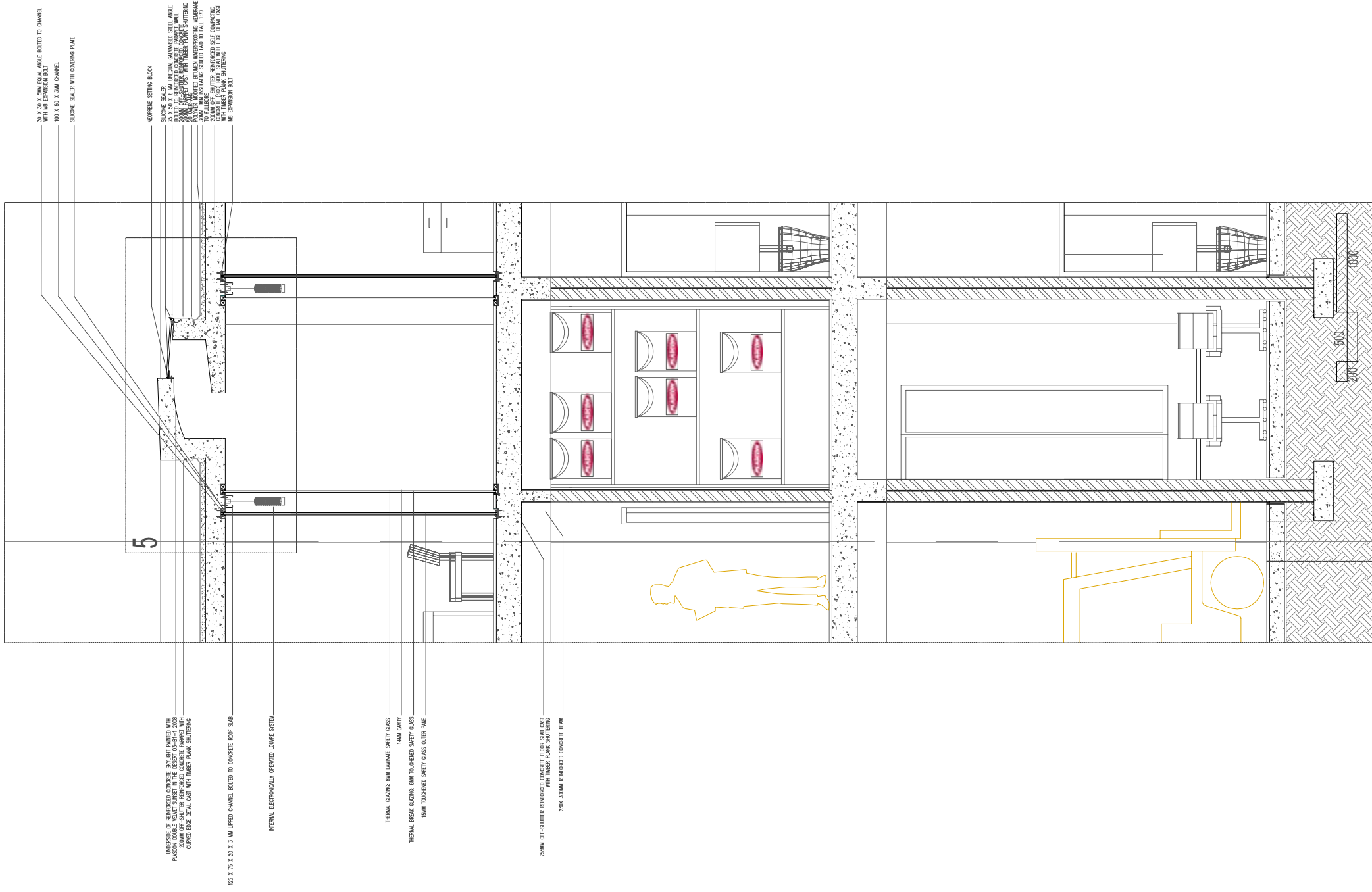
500

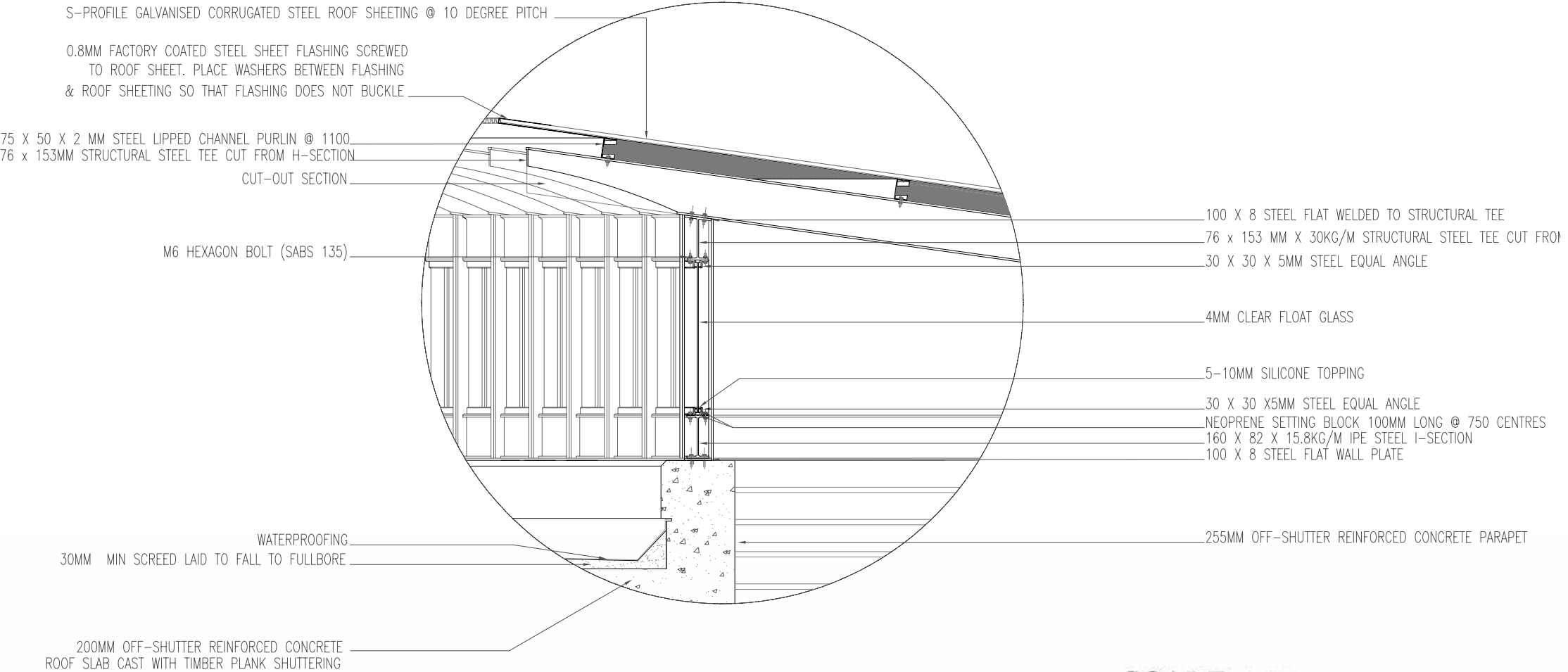
1000

DETAIL SECTION B



DETAIL SECTION C



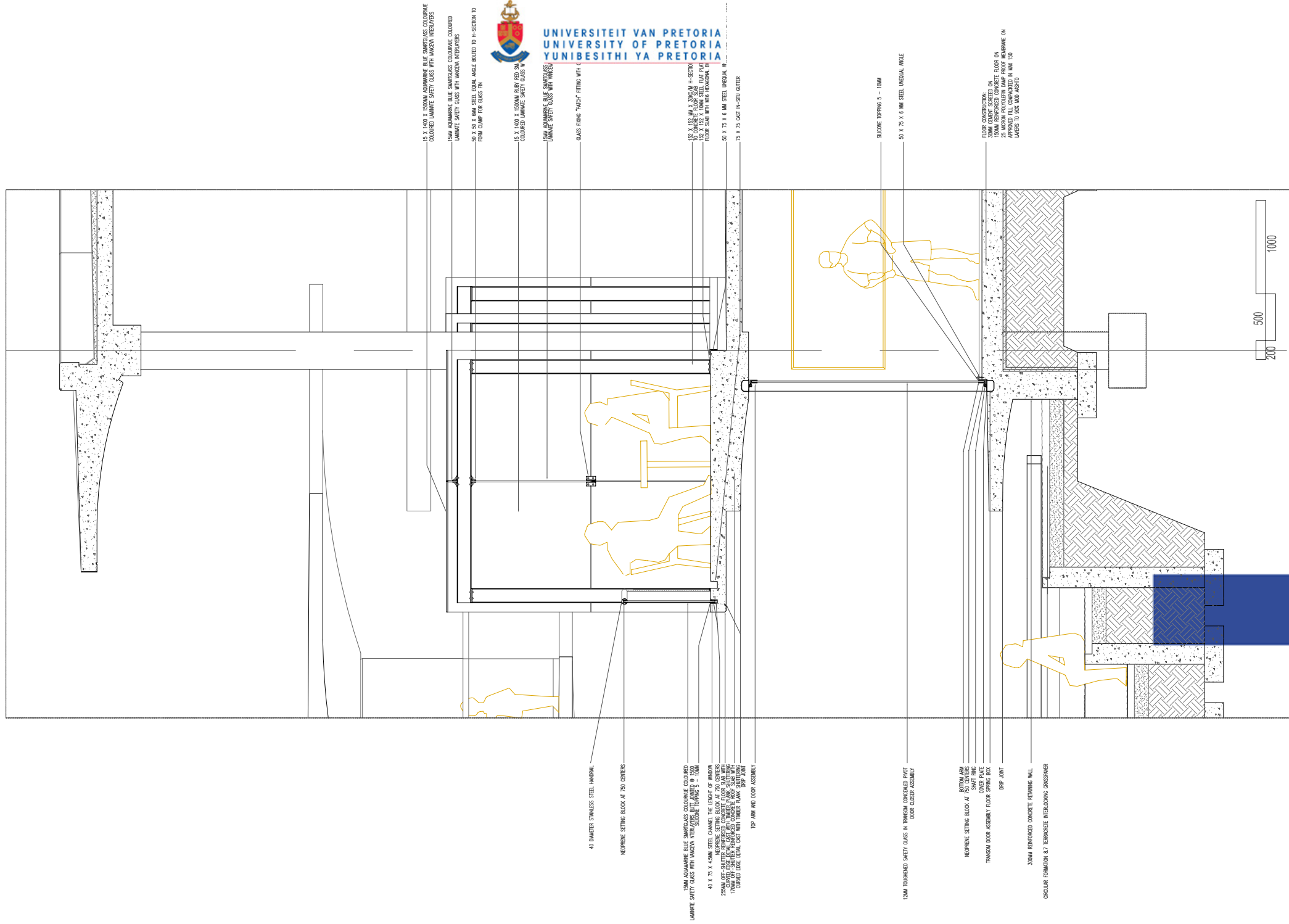


SCALE 1:20

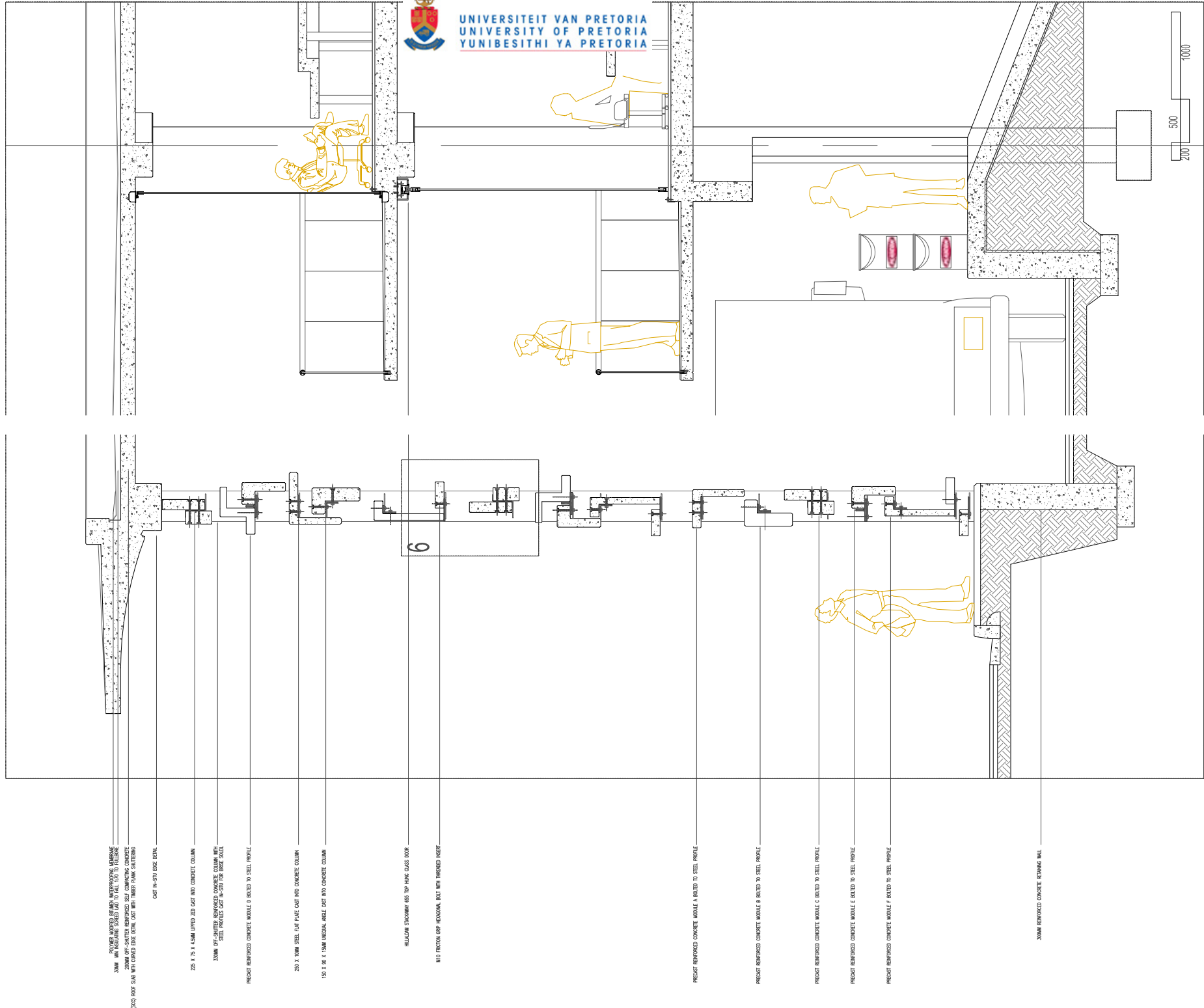


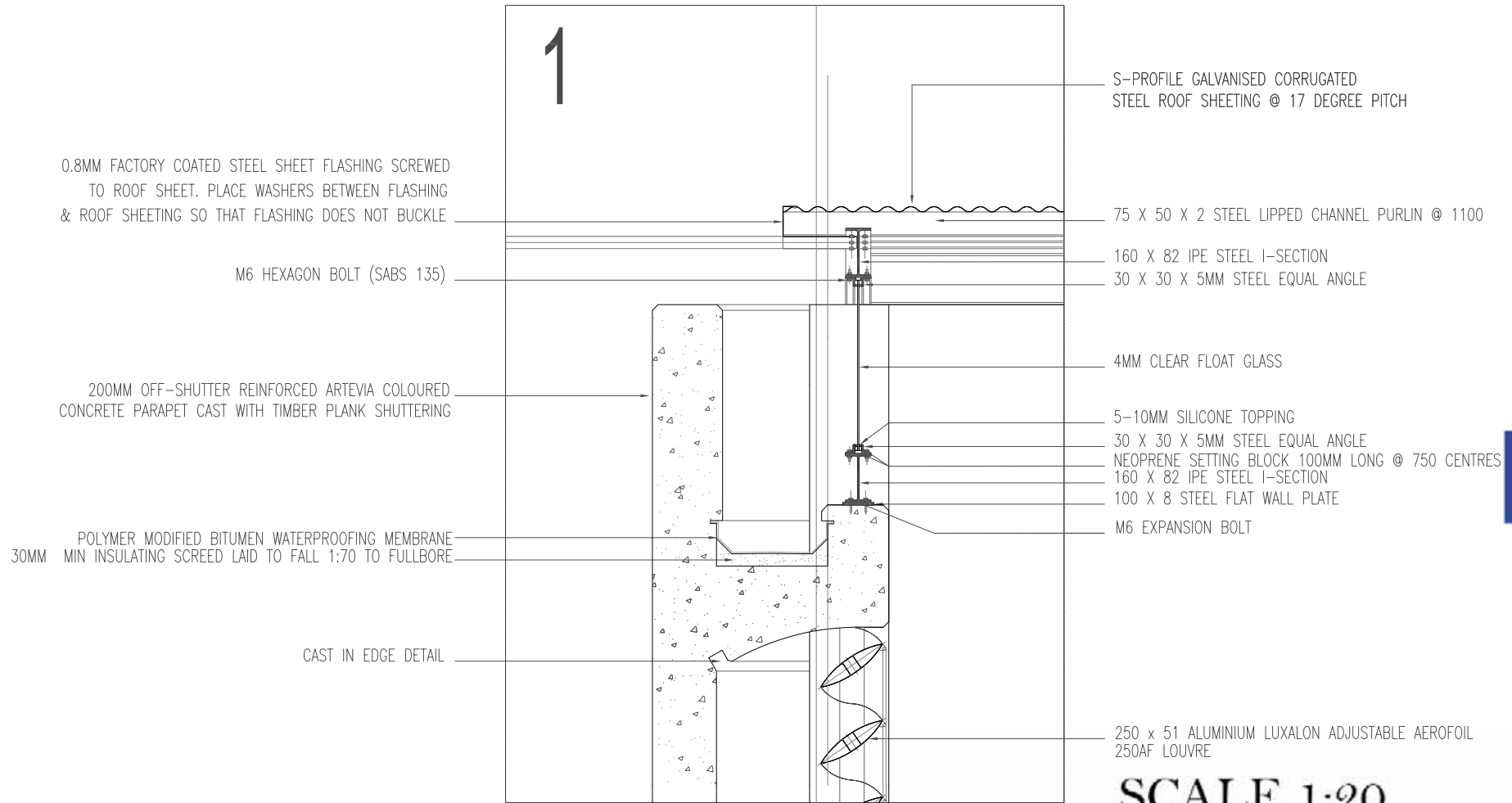
DETAIL 8

DETAIL SECTION E



DETAIL SECTION D

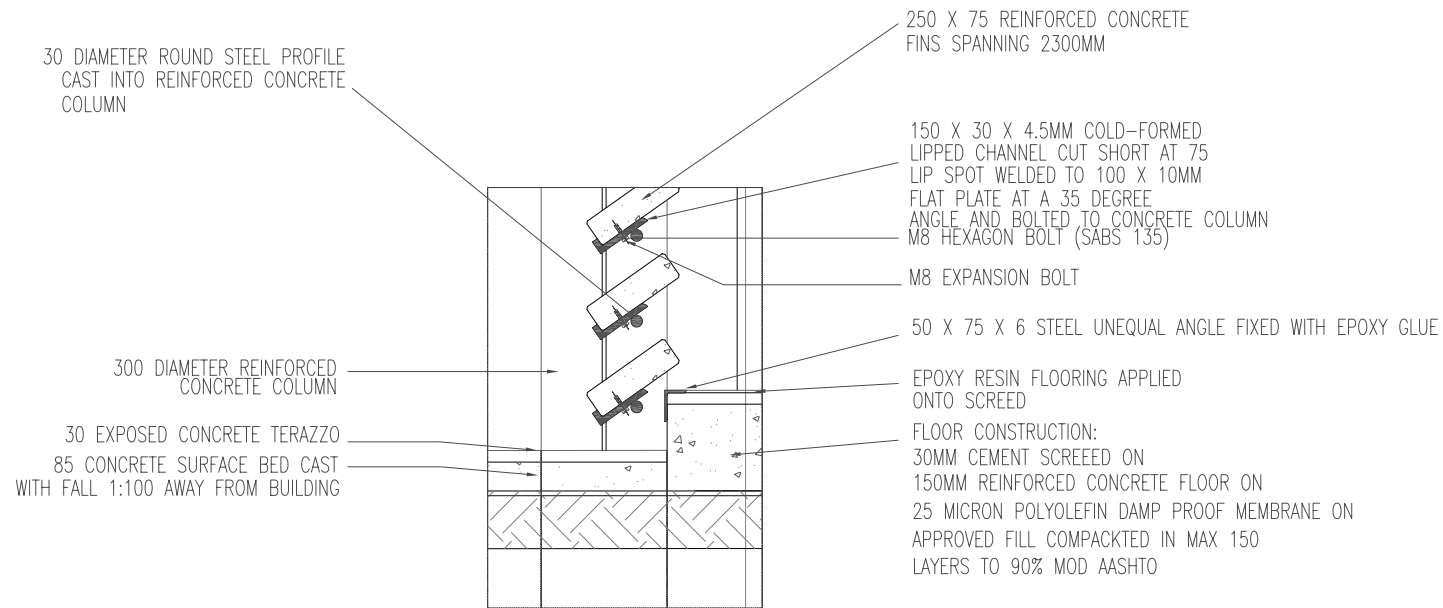




SCALE 1:20



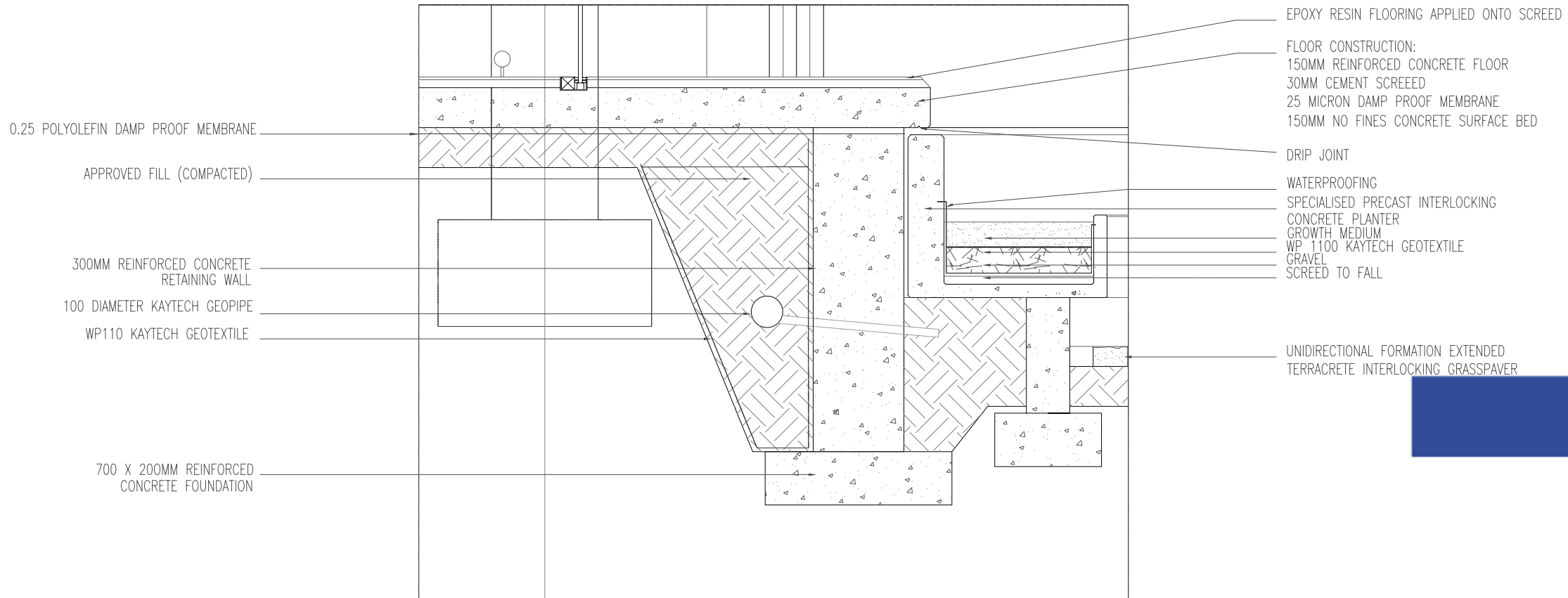
DETAIL 1



SCALE 1:20



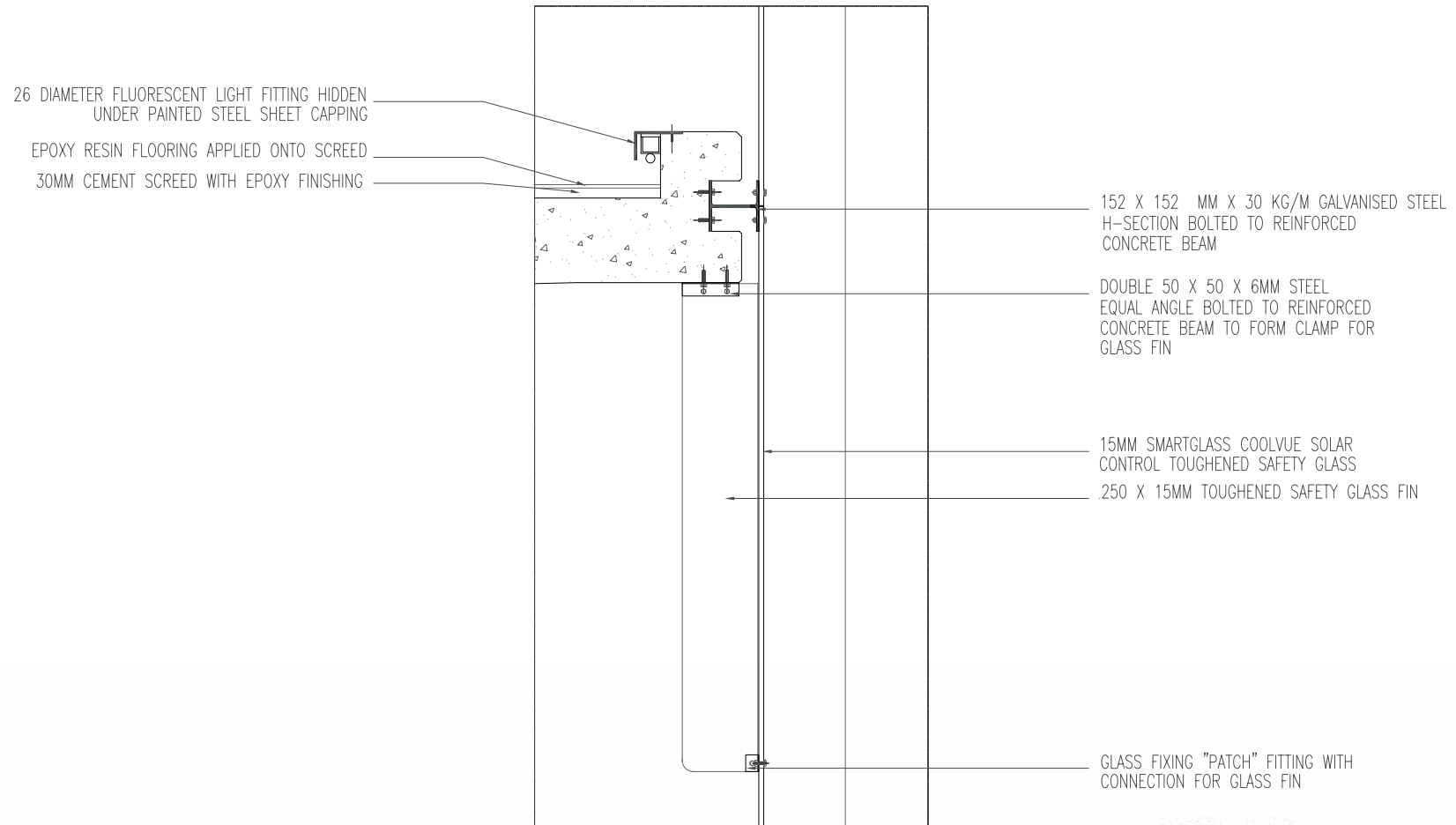
DETAIL 2



SCALE 1:20



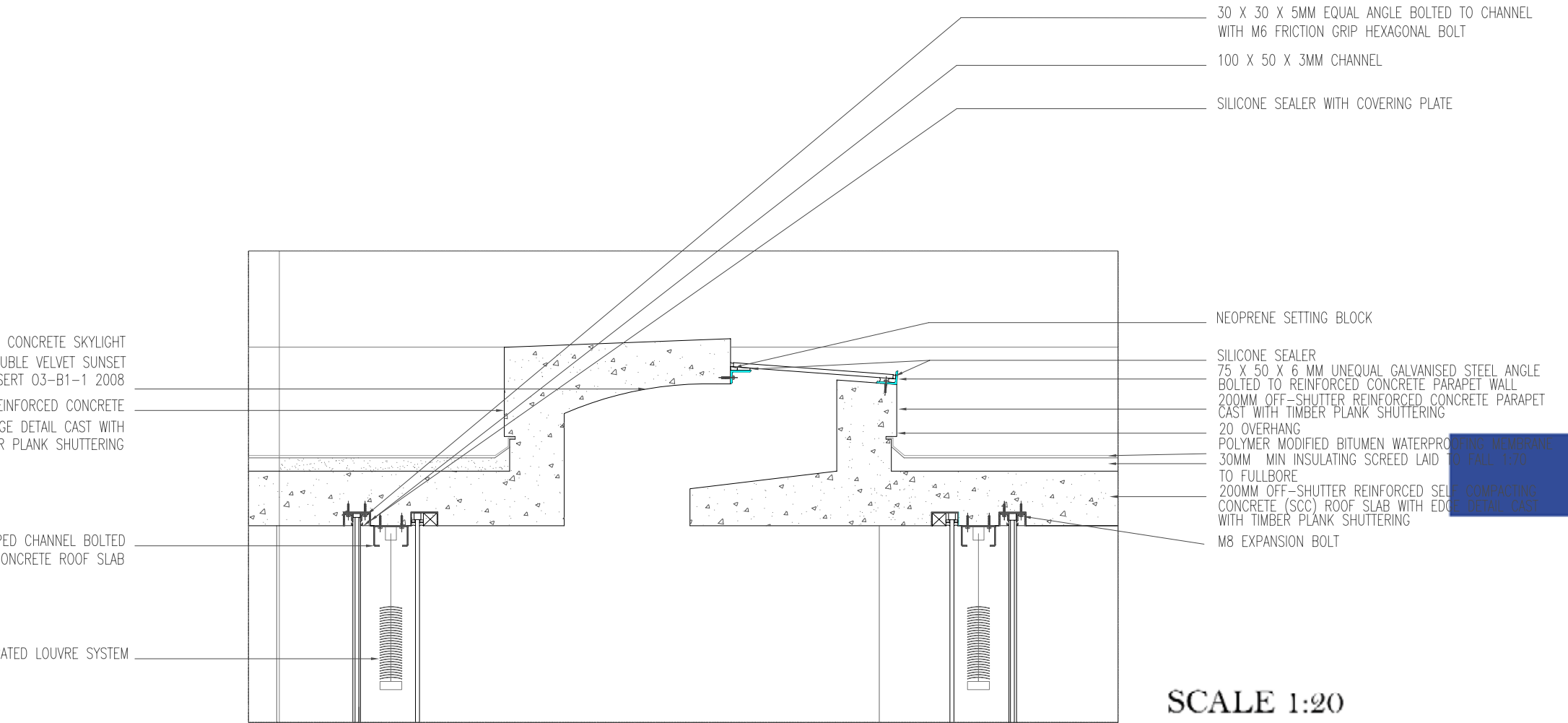
DETAIL 3



SCALE 1:20



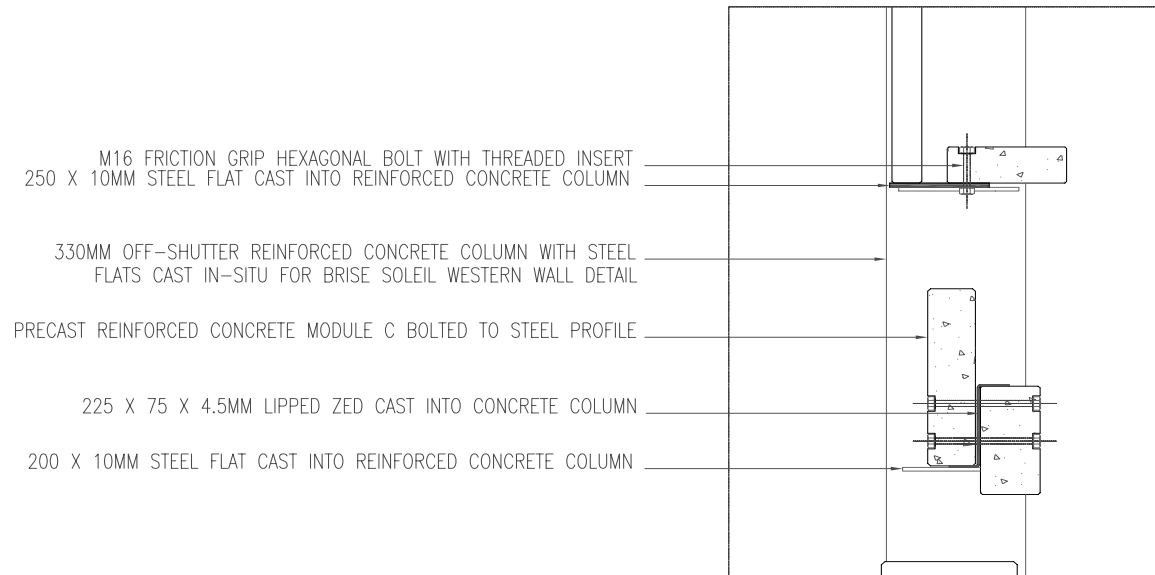
DETAIL 4



SCALE 1:20



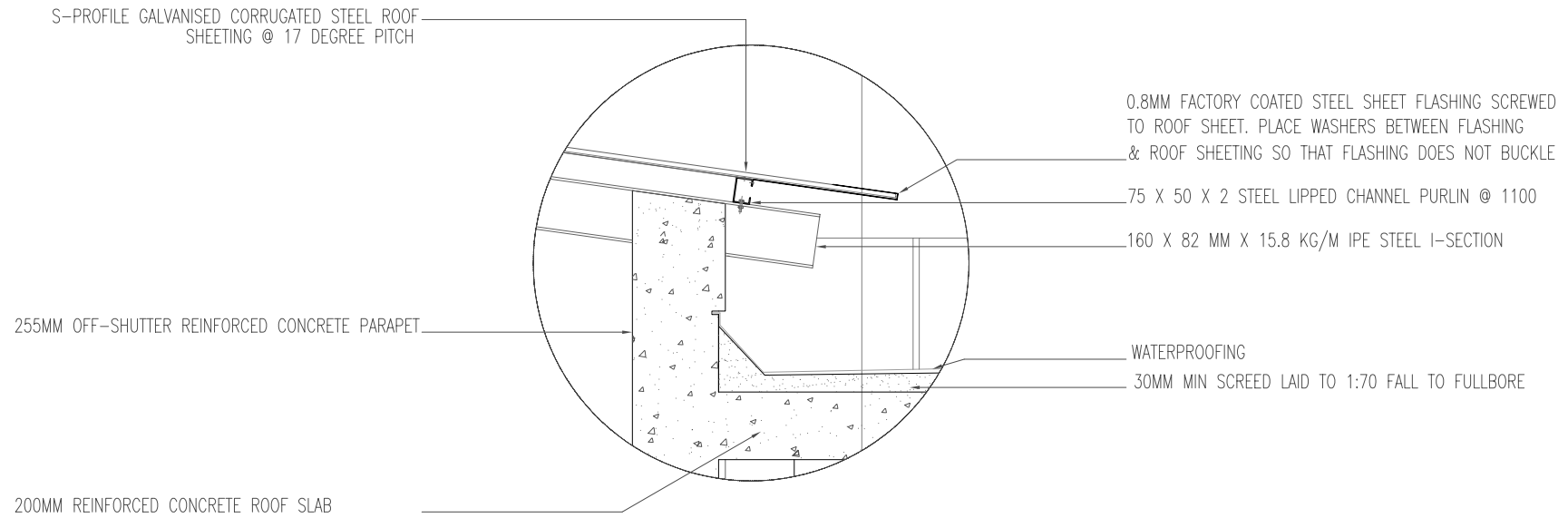
DETAIL 5



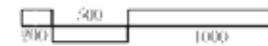
SCALE 1:20



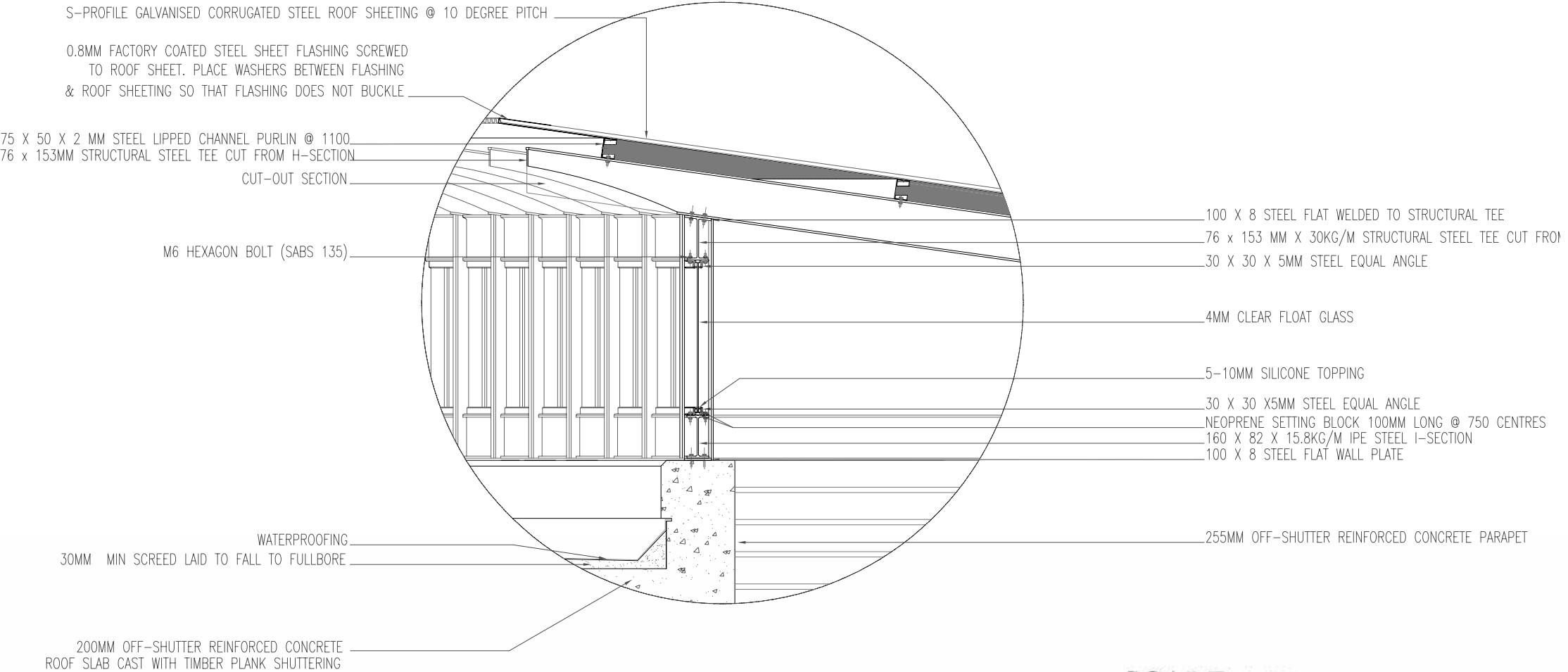
DETAIL 6



SCALE 1:20



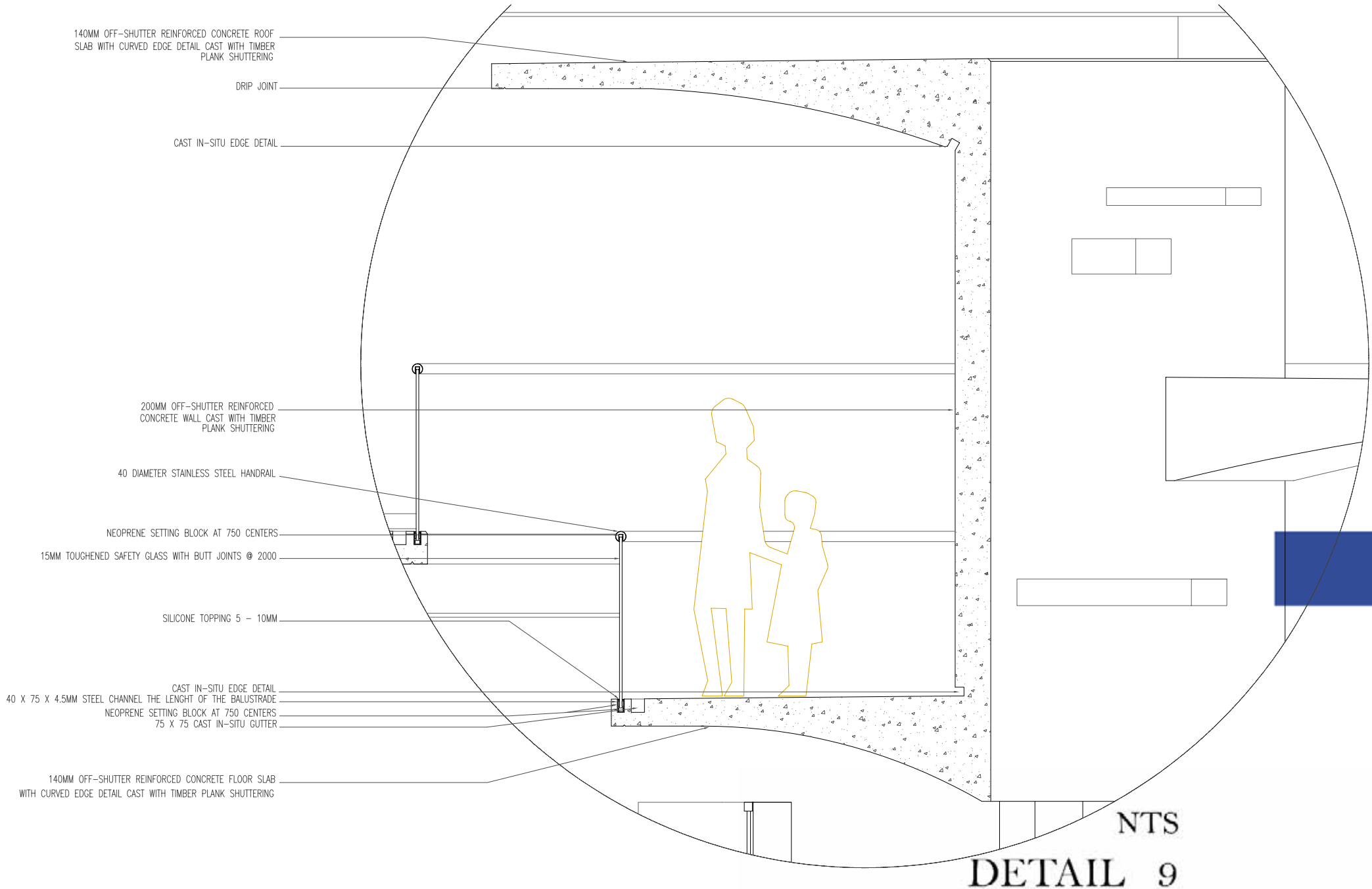
DETAIL 7

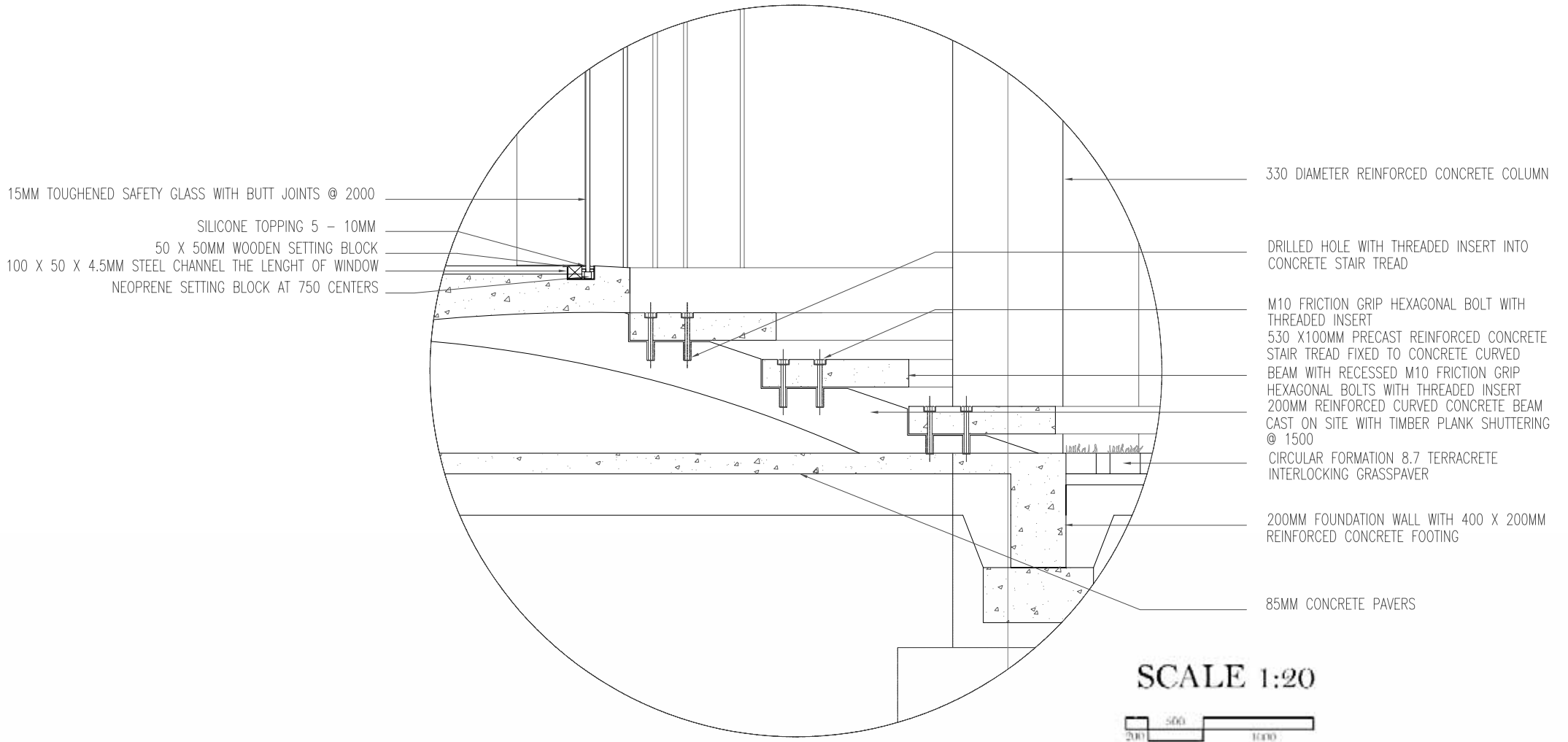


SCALE 1:20



DETAIL 8





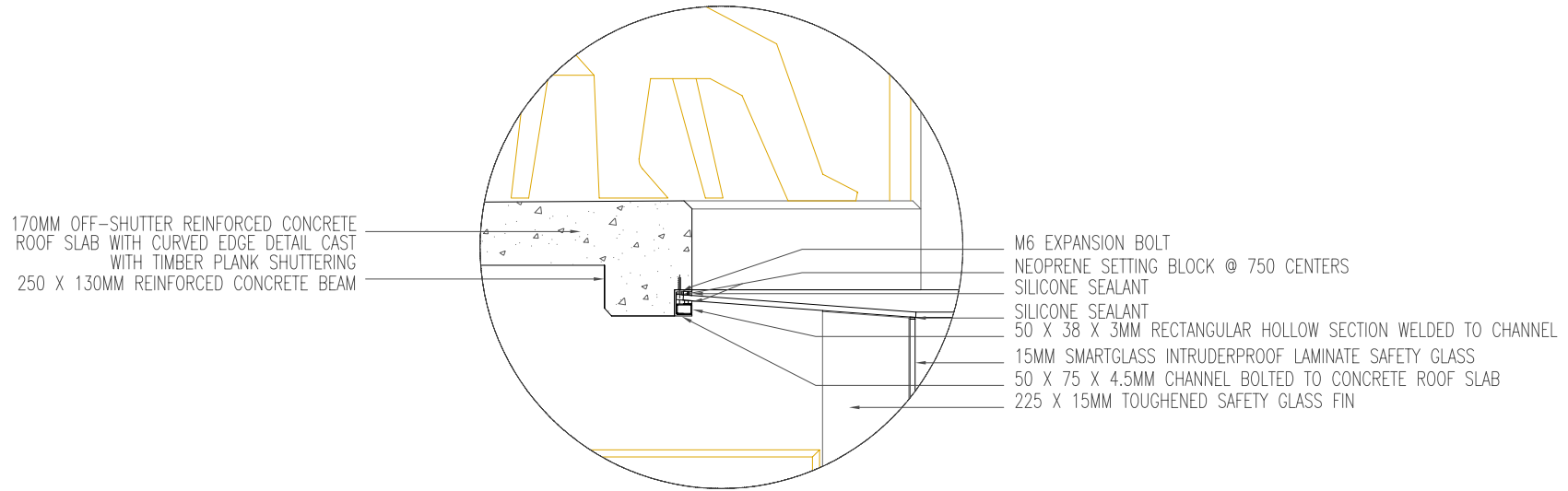
15MM TOUGHENED SAFETY GLASS WITH BUTT JOINTS @ 2000
 SILICONE TOPPING 5 - 10MM
 50 X 50MM WOODEN SETTING BLOCK
 100 X 50 X 4.5MM STEEL CHANNEL THE LENGTH OF WINDOW
 NEOPRENE SETTING BLOCK AT 750 CENTERS

330 DIAMETER REINFORCED CONCRETE COLUMN
 DRILLED HOLE WITH THREADED INSERT INTO CONCRETE STAIR TREAD
 M10 FRICTION GRIP HEXAGONAL BOLT WITH THREADED INSERT
 530 X100MM PRECAST REINFORCED CONCRETE STAIR TREAD FIXED TO CONCRETE CURVED BEAM WITH RECESSED M10 FRICTION GRIP HEXAGONAL BOLTS WITH THREADED INSERT
 200MM REINFORCED CURVED CONCRETE BEAM CAST ON SITE WITH TIMBER PLANK SHUTTERING @ 1500
 CIRCULAR FORMATION 8.7 TERRACRETE INTERLOCKING GRASSPAVER
 200MM FOUNDATION WALL WITH 400 X 200MM REINFORCED CONCRETE FOOTING
 85MM CONCRETE PAVERS

SCALE 1:20



DETAIL 10



SCALE 1:20



DETAIL 11