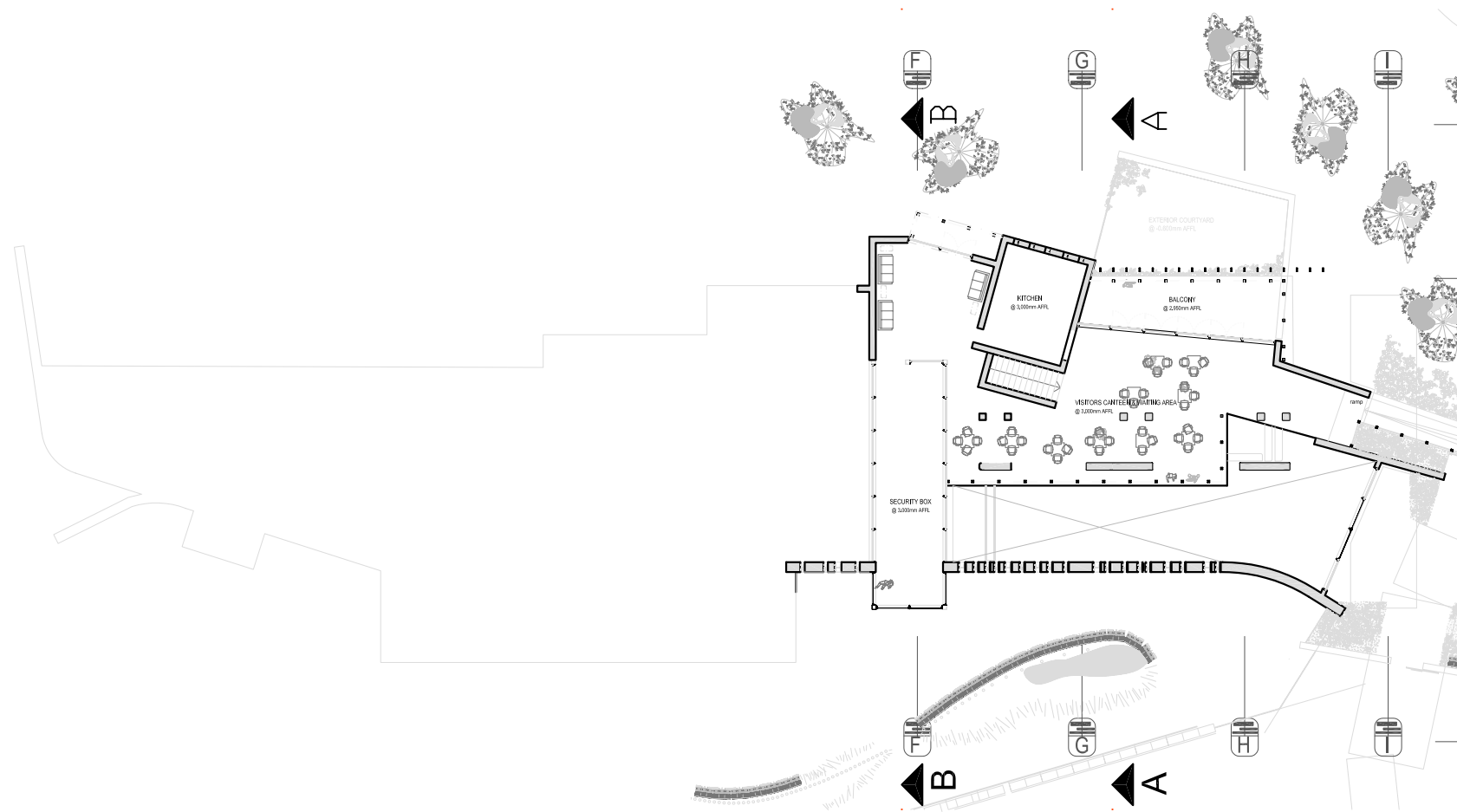
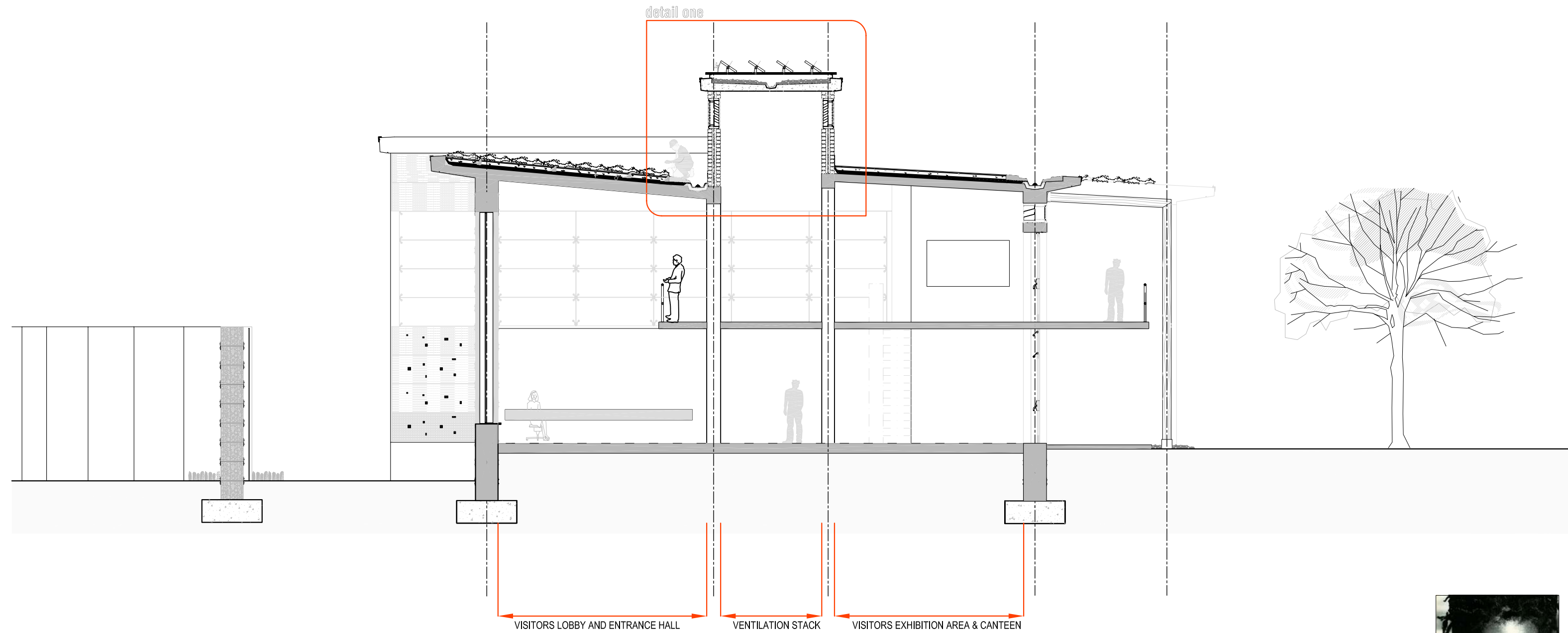


GROUND FLOOR OF VISITORS CENTRE *scale 1:400*



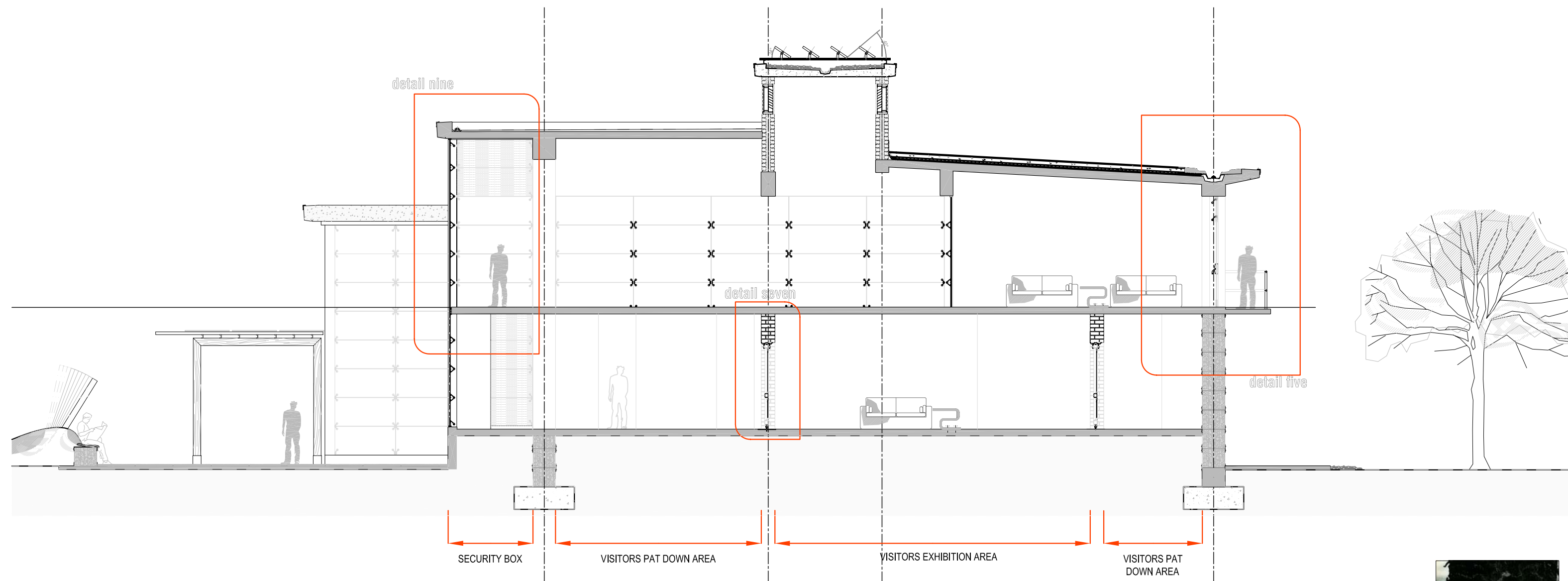
FIRST FLOOR OF VISITORS CENTRE *scale 1:100*



Section A:A scale 1:100

Leeuwkop youth prison
visitors centre

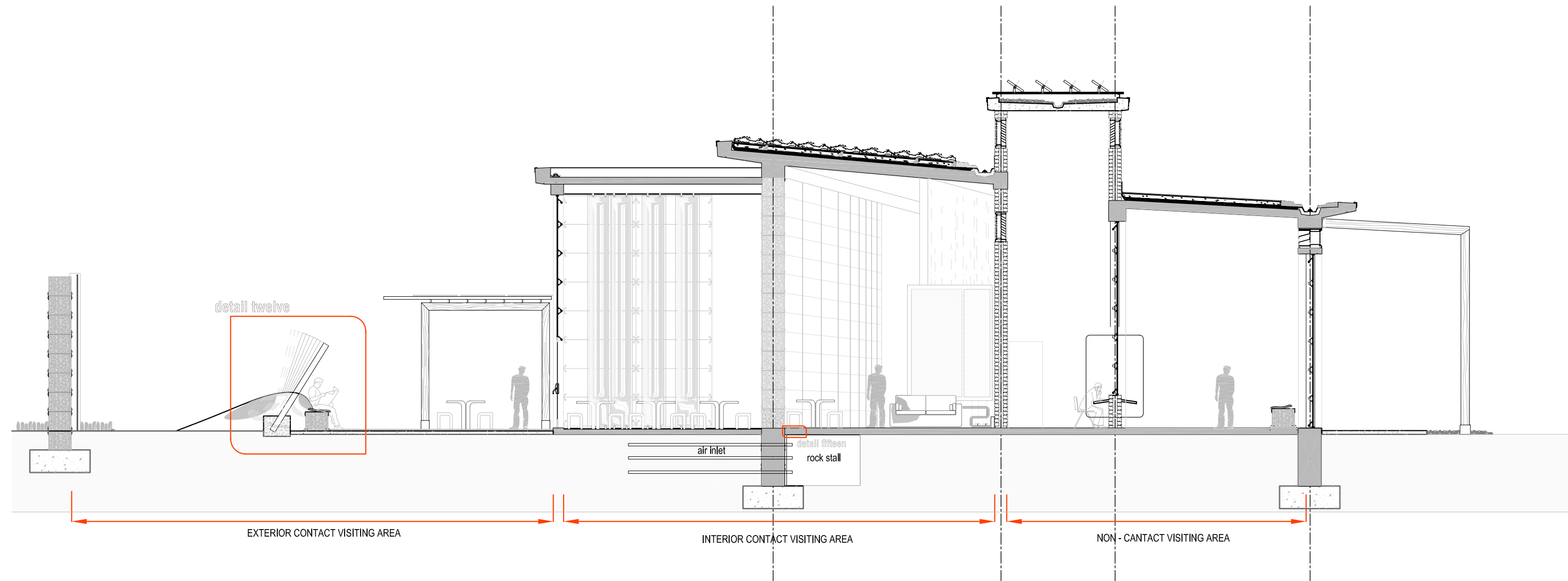




Section B:B scale 1:100

Leeuwkop youth prison
visitors centre

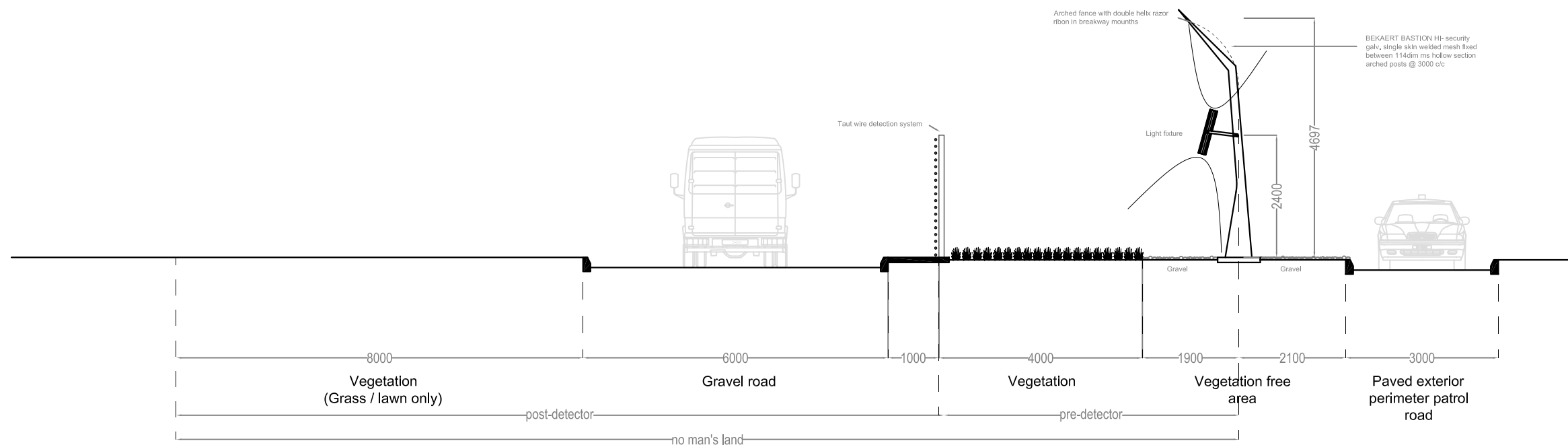




Section C:C scale 1:100

Leeuwkop youth prison
visitors centre





detail fourteen:
Bekaert Bastion hi-security fence
scale 1:100

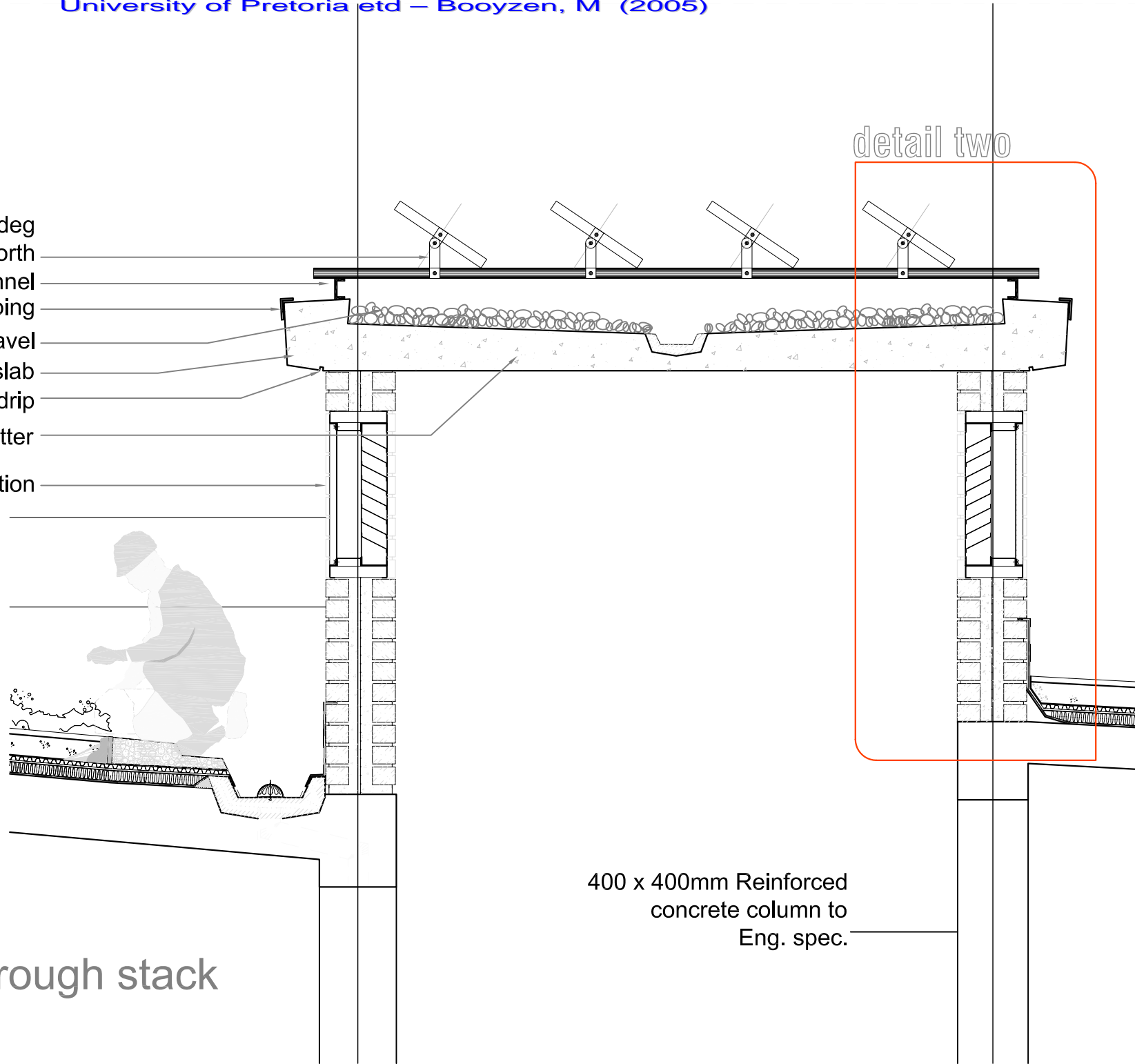
Leeuwkop youth prison
visitors centre



Healing space:
education, motivation, intergration

- Photo voltaic panels @ 43deg facing North
- 100 x 50mm steel channel
- 100 x 60mm steel angle coaping
- gravel
- structural concrete roof slab
- drip
- concrete roof gutter
- 230mm secured louvered section

detail two

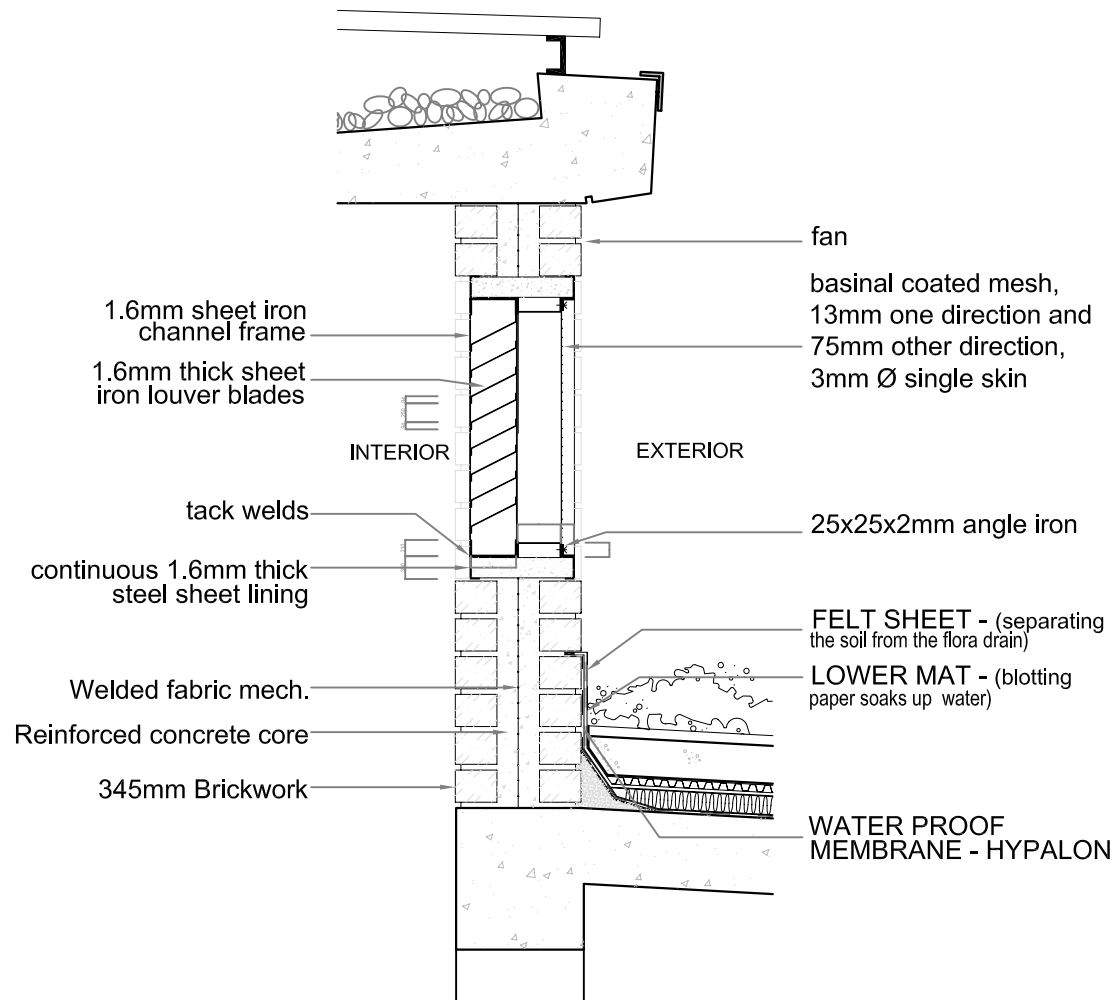


Detail one

detailed section through stack

scale 1:25

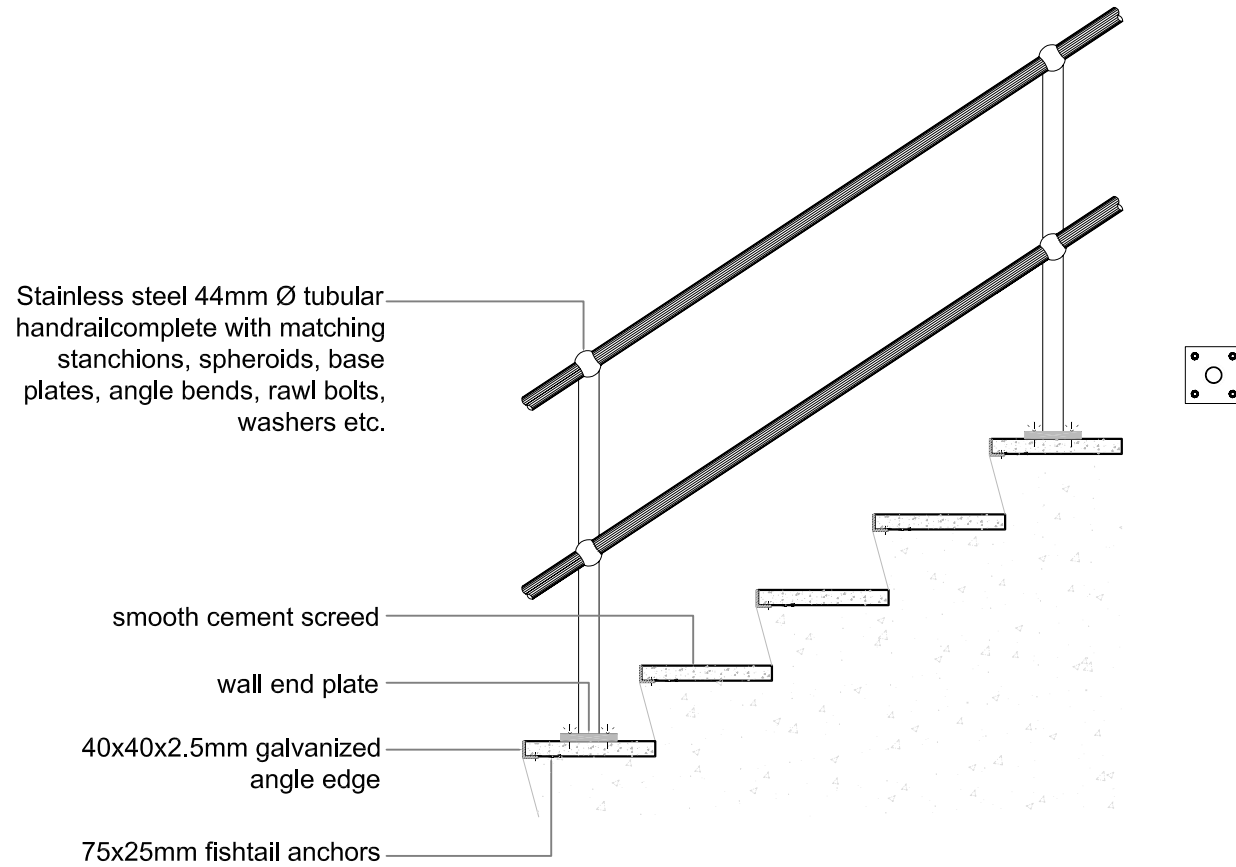
400 x 400mm Reinforced concrete column to Eng. spec.



Detail two

230mm secured louver section

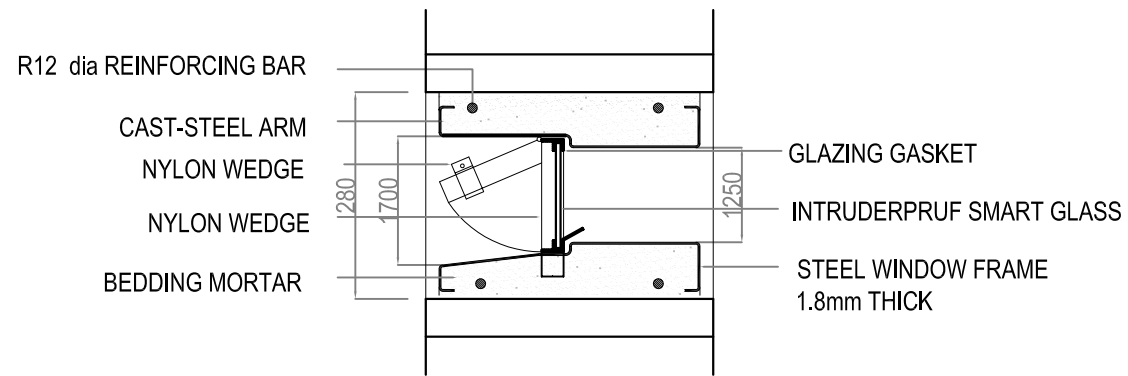
scale 1:20



Detail three

staircase and rail detail

scale 1:20

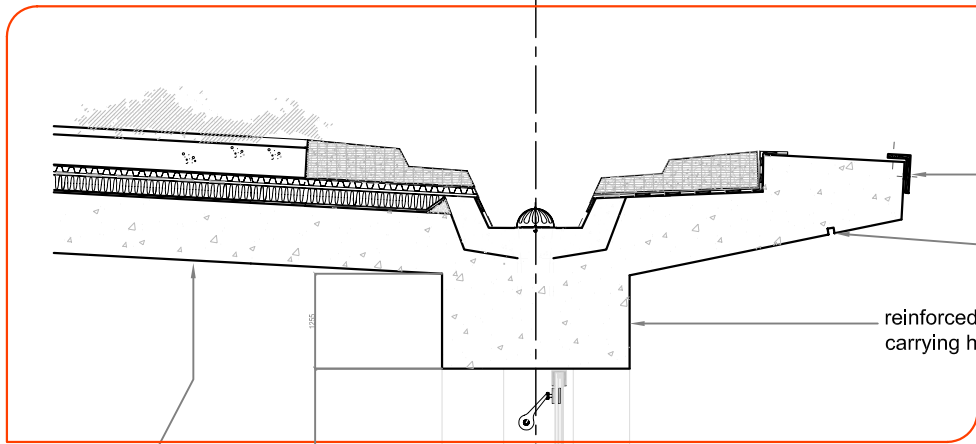


Detail four

tamper proof window and concrete frame

scale 1:10

detail six



125x75x12mm steel angle iron

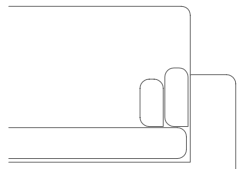
drip

reinforced pre-cast concrete beam carrying horizontal loading

Reinforced concrete coffer slab to Eng. spec with Green roof structure (THE ERISCO-BRAUDER 'GREEN' ROOF) on screed to fall @ 8%. Pre-cast concrete box gutter as storm water outlet.

Vandal proof cast-steel arm

Intruderpruf high penetration resistant smart glass (12.76mm thick)



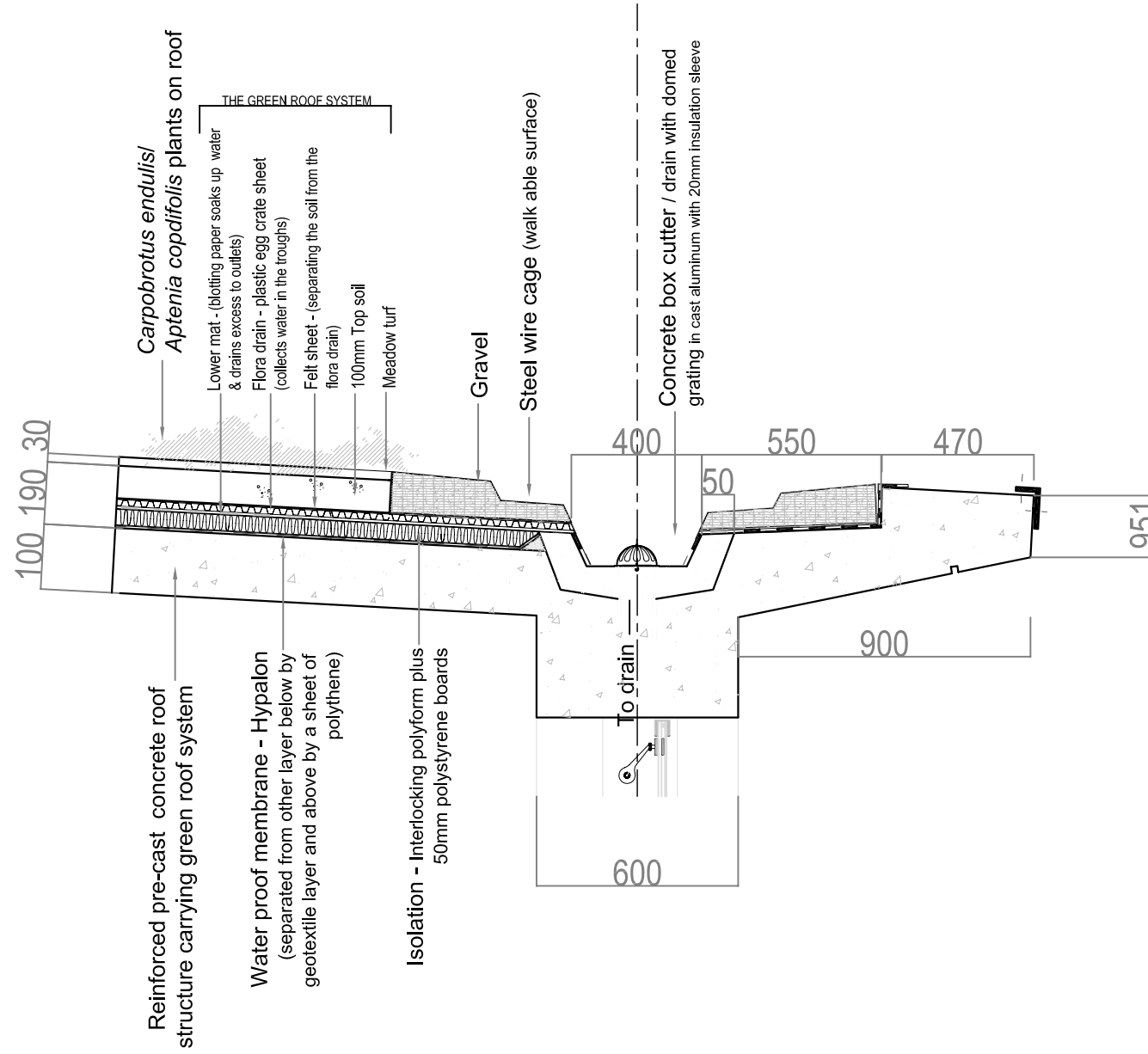
Stainless steel 44mm diameter tubular handrail complete with matching stanchions, spheroids, base plates, angle bends, rawl bolts, washers etc.

Reinforced concrete coffer slab to Eng. design and spec. with power-floated, tinted, hardened concrete.

Gabion wall structure

Detail five

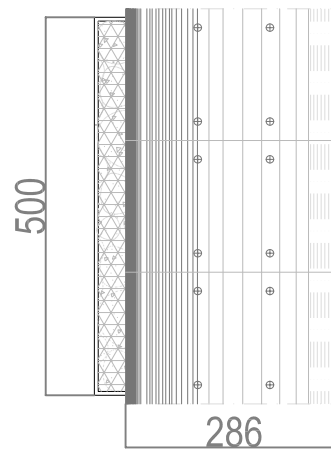
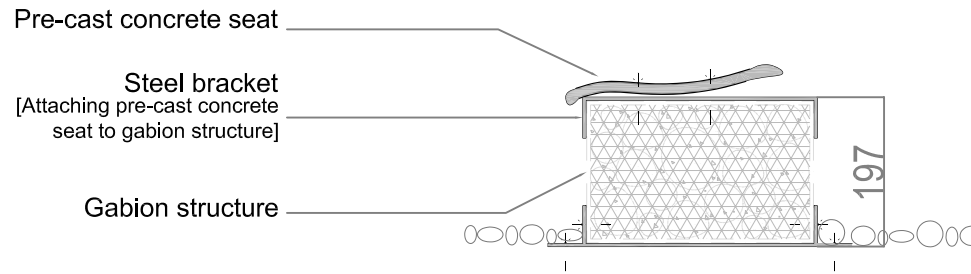
scale 1:25



Detail six

Green roof structure

scale 1:20



Detail ten

pre-cast concrete seat and gabion

scale 1:20

detail eight

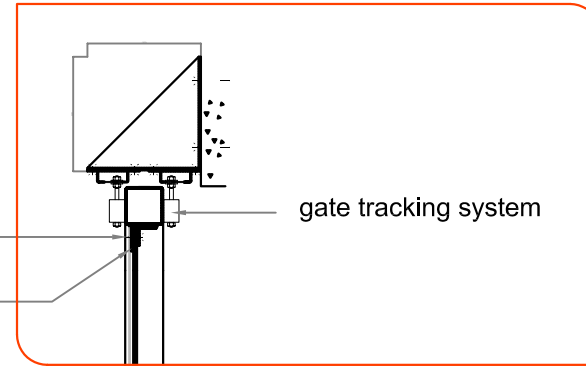
M10 Galvanized bolts and nuts with galvanized 3mm steel washers at max. 400mm centers. Bolt ends are to be riveted on the safe side of the area.

75x75 5mm galvanized steel angle

75x8mm galvanized steel plate

M10 Galvanized bolts and nuts with galvanized 3mm steel washers at max. 400mm centers. Bolt ends are to be riveted on the safe side of the area.

Power-floated, tinted, hardened Concrete on 85mm concrete surface bed on damp proof membrane, on 150mm compacted hard-core filling



gate tracking system

welded fabric with 75 x 50 openings, galvanized 2mm wires both ways

100x85 5mm galvanized steel hollow square section for frame to gate

Intruderpruf smart glass (orange)

100x100 5mm galvanized steel hollow square section for frame to gate

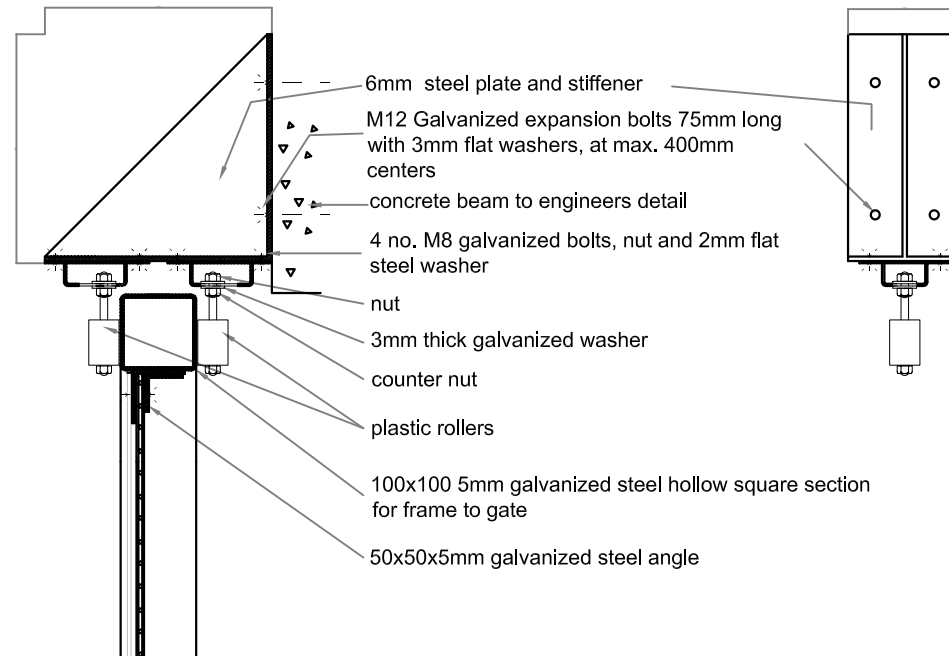
guide wheel (to be designed by gate specialist)

75x75 6mm galvanized steel angle fishtail anchor welded to angle

Detail seven

Gate track and roler detail

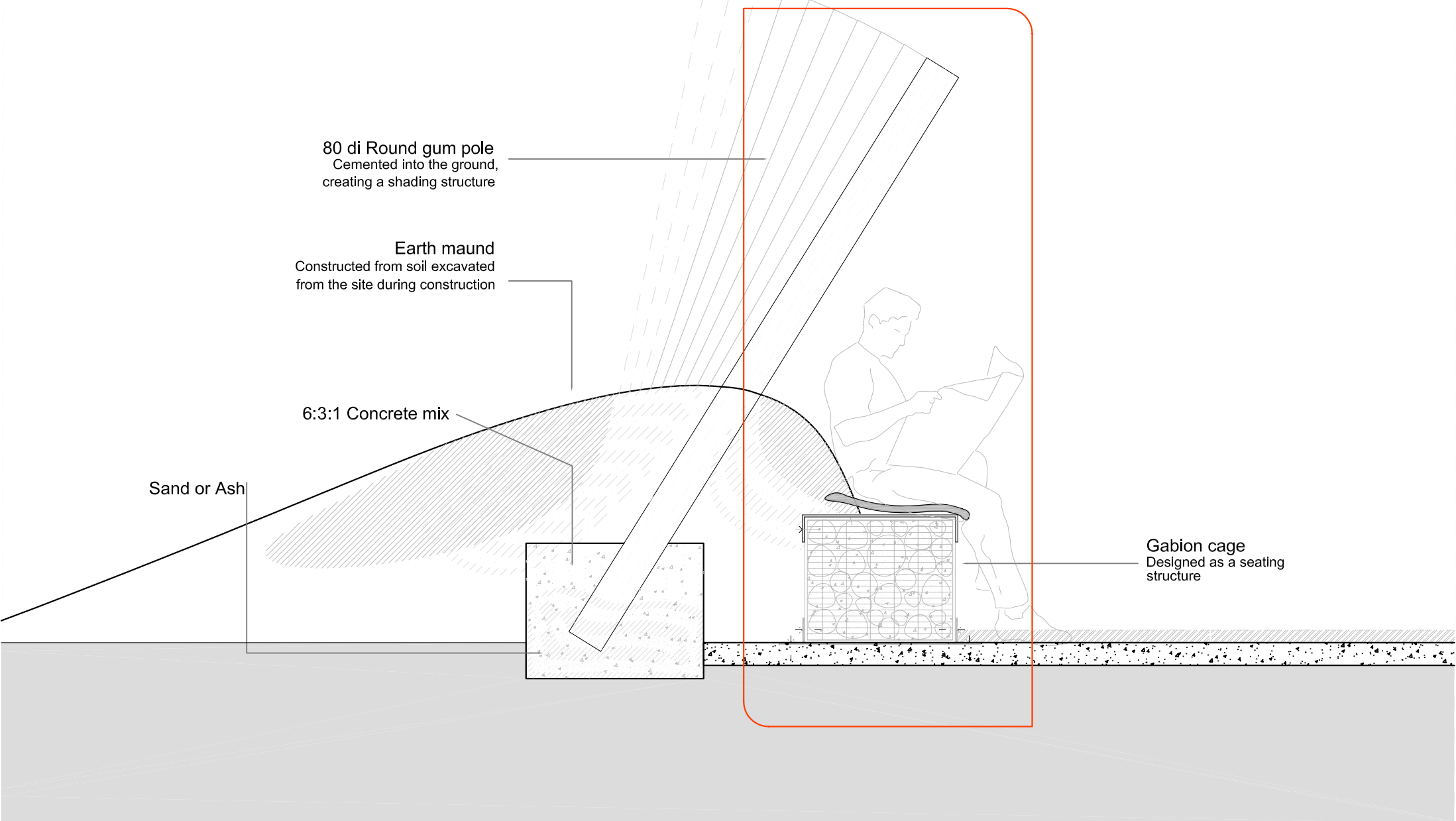
scale 1:25



Detail eight

Gate track system

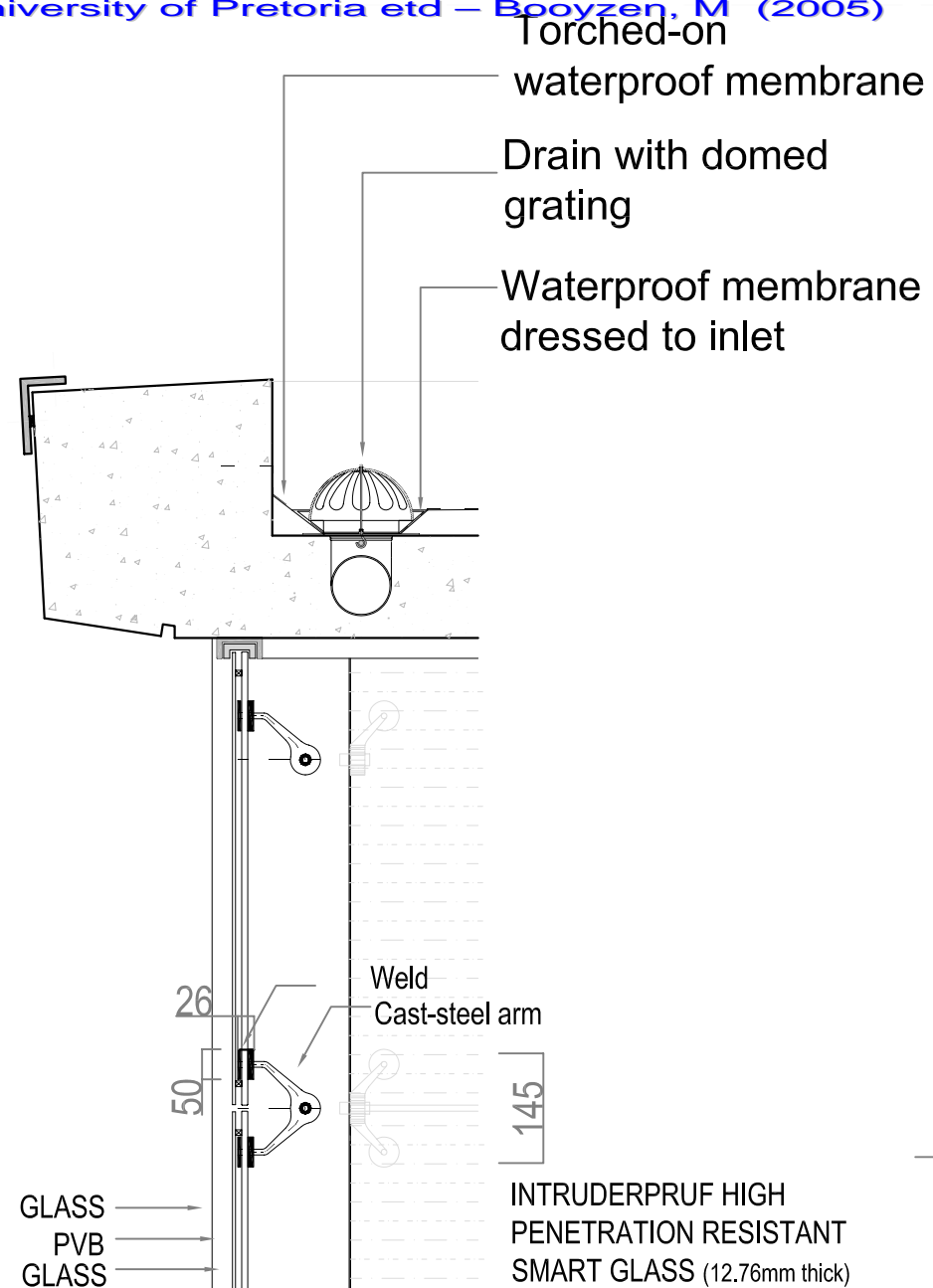
scale 1:10



Detail nine

section through earth mound and gumpoleshading structure

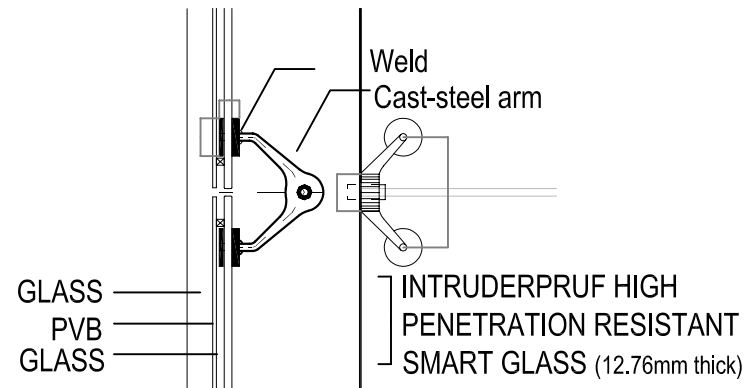
scale 1:20



Detail eleven

Drain with domed grating

scale 1:20

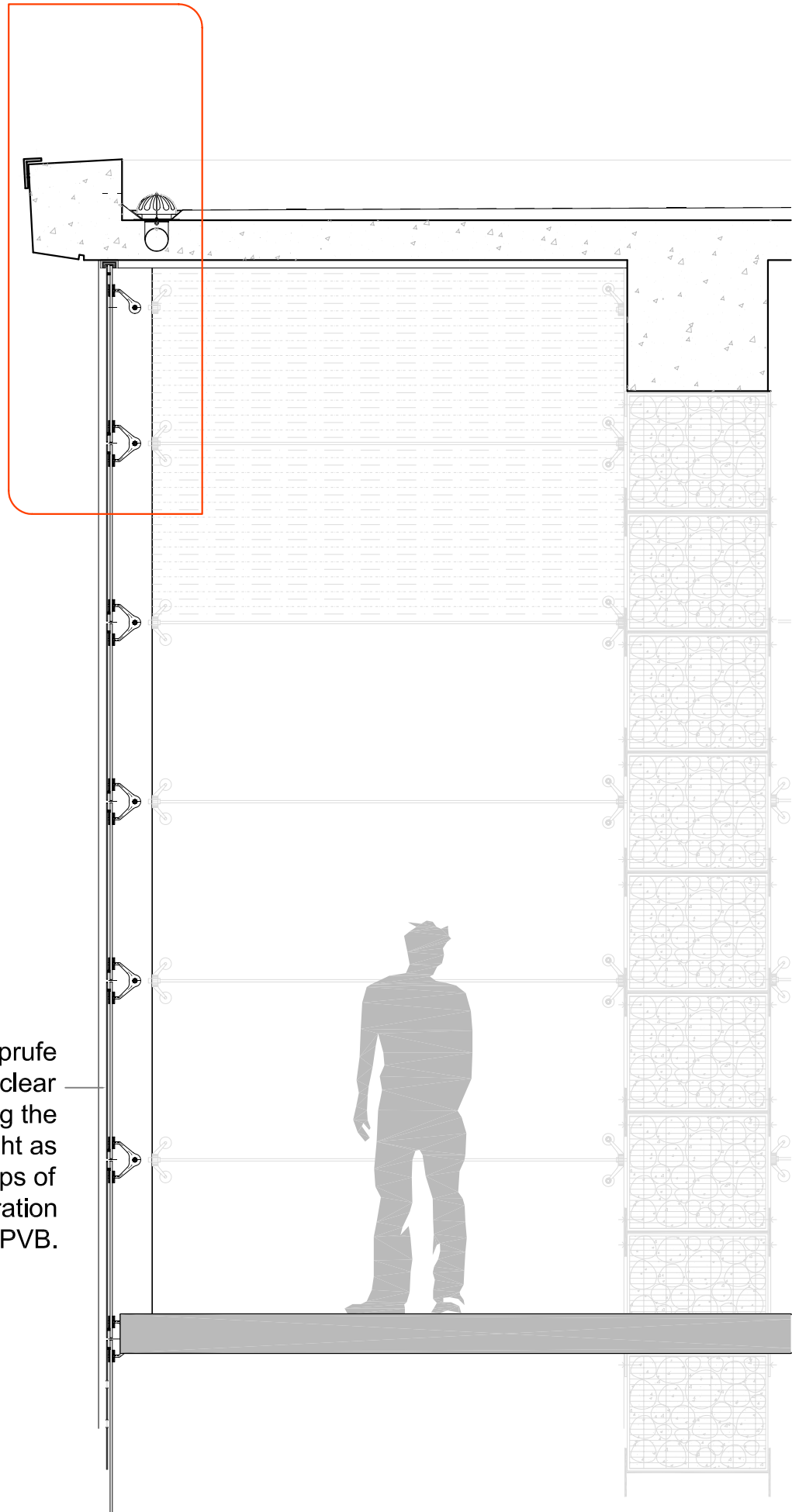


Detail twelve

Cats-steel arm connecting the panes of glass
to the lattice structure

scale 1:10

detail eleven



Glazing element - Intruderprufe Smart glass. Two layers of clear laminated glass blocking the intrusion of noise and UV light as well as preventing attempts of escape with high penetration resistance - 0.76mm PVB.

Detailed section through security box showing flat concrete roof & rainwater outlet

bibliography

- Brandi, U. and Brandi, C. (2001) Lightbook. Birkhauser, Switzerland.
- Bromilow, C. (1995). Problem Plants of South Africa. Briza Publications. Pretoria- South Africa.
- Carney, L. Introduction to correctional science. London: McGraw-Hill Book Company, 1974.
- Chiazzari, S. (1998) The complete book of colour. Element Books Limited, Britian.
- Chiazzari, S. (1998) The healing home. Ebury Press, London.
- Dal Co, F. (1995) Tadao Ando: Complete works. Phaidon Press Limited, London.
- Dissel, A. Children Serving Gaol Sentences: A profile on children sentenced to prison, Research paper written for the Centre for the Study of Violence and Reconciliation, August 1999.
- Donnelly, M.C. (1992) Architecture in Scandinavian Countries., DEKR Corporation, U.S.A.
- Entwistle, J. (1999). Designing with light: Bars and Restaurants. Watson-Guptill Publications, New York.
- Faber, T. (1968) New Danish Architectur., London Press, Germany.
- Gardner, C and Molony, R. (2001) Transformations Light. RotoVision SA, Switzerland.
- Gary, R, Steffy, Lies and Lald. (1990) Architectural Lighting Design. John Wiley & Sons. Inc, Canada.
- Gast, M. Education and the South African juvenile justice system. CYC online, issue 34 2001
- Hiort, E. (1958) Contemporary Danish Architecture. Arkitektens Forlag, Kopenhagen.
- Jencks, C. (1973). Le Corbusier and the tragic view of architecture. Penguin Books Ltd, London.
- Johnson, R and Toch, H. The Pains of Imprisonment. London: Sage publications, 1982.
- Longford, L. Young Offenders. London: Chapmans Publishers, 1993.
- Mehta, P.K. "Role of Pozzolanic & Cementitious By-Products in Sustainable Development of the Concrete Industry", in Sixth CANMET/ACI/JCI Conference: Fly Ash, Silica Fume, Slag & Natural Pozzolans in Concrete, 1998.
- Michel, L. (1996) Light: The Space of Space. Van Nostrand Runhold, New York.
- Millet, M. (1996). Light Revealing Architecture. International Thomson Publishing, Inc, U.S.A.
- Millham, S. and Bullock, R. and Hosie, K. Locking up Children. England: Saxon House, 1978.

Mokgohloa, T. Good Cop, Bad Cop, in the S'camto lovelife's uncut magazine, Issue 2. South Africa: Printability, 2004.

Moyer, I. L. Criminological Theories. London: Sage publications, 2001.

Neitzert, F. et al. Canada's Greenhouse Gas Inventory: 1997 Emissions and Removals with Trends. Environment Canada, 1999.

Oppler, S. Correcting Corrections - Prospect for South Africa's Prisons. South Africa: ISS Monograph series, 1998.

Oudtshoorn, F. (1991). Grasse van Suid-Afrika. Briza Publikasies. Pretoria- South Africa

Palmer, J. W. Constitutional Rights of Prisoners. Cincinnati: the W.H Anderson Company, 1973.

Sun, H and Sun, D. (1992) Colour your life. Judy Piatkus (Publishers) Ltd, London.

Thomas, V. and Grant, R.(1998). Sappi Tree Spotting - Highveld and the Drakensberg. Jacana-Durban. South Africa.

Toch, H. Living in Prison. Washington, DC: American Psychologist Association. (Original work published 1977)

Tregenza, P and Loe, D. (1998) The Design of Lighting. E & FN Spon, London and New York.

Van Wyk, B., Van Wyk, P., and Van Wyk, B.E. (2000). Photographic guide to Trees of Southern Africa. Briza Publications. Pretoria- South Africa

Walter, J. A. Sent away: a study of young offenders in care. England: Saxon House, 1977.

