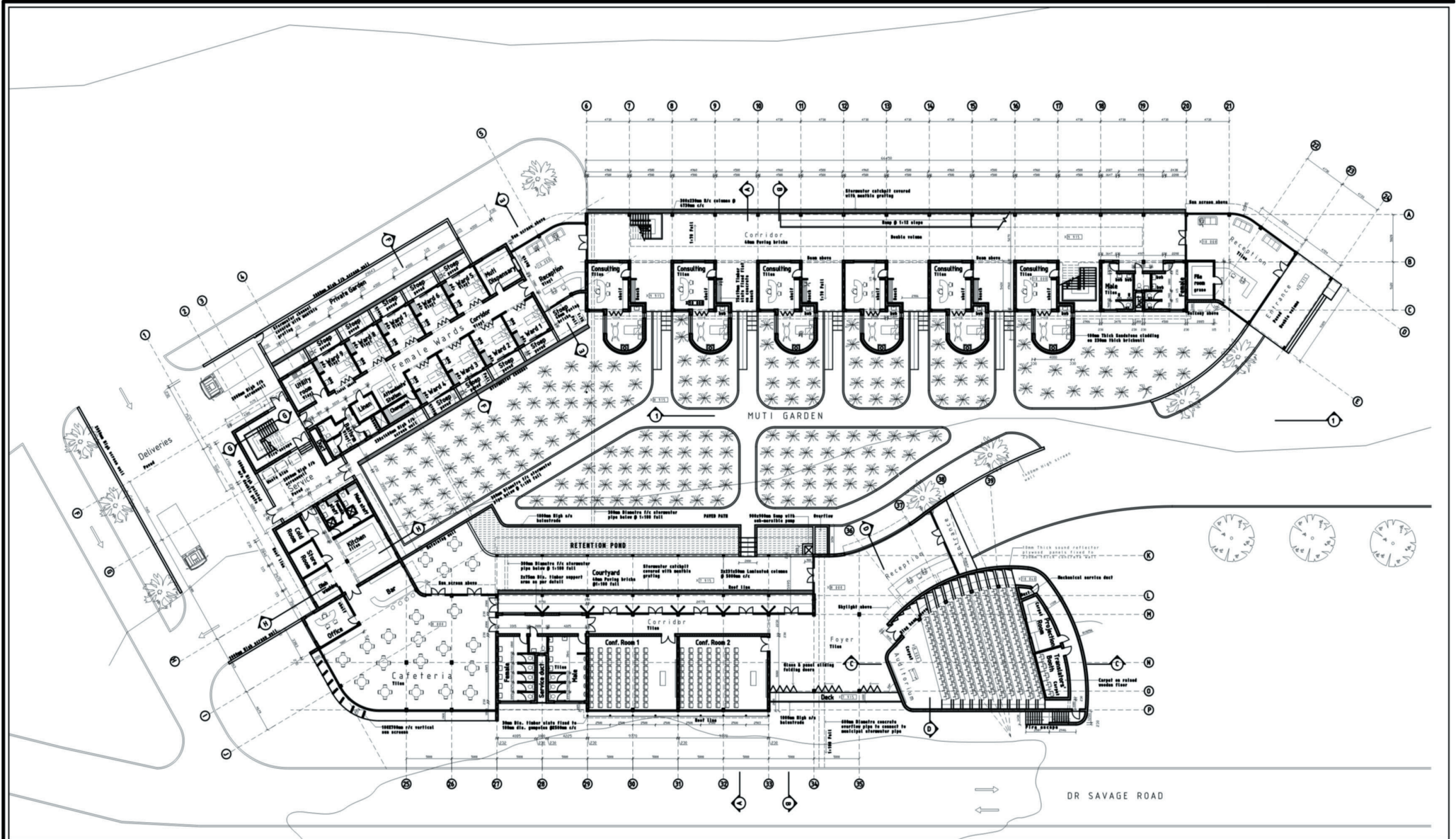


Project:	<b>DINGAKENG: CENTRE FOR TRADITIONAL HEALTH PRACTITIONERS</b>	
Drawing:	SITE PLAN	
Scale:	1:500	

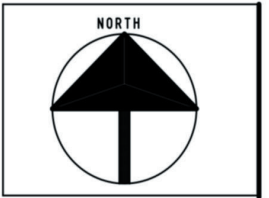


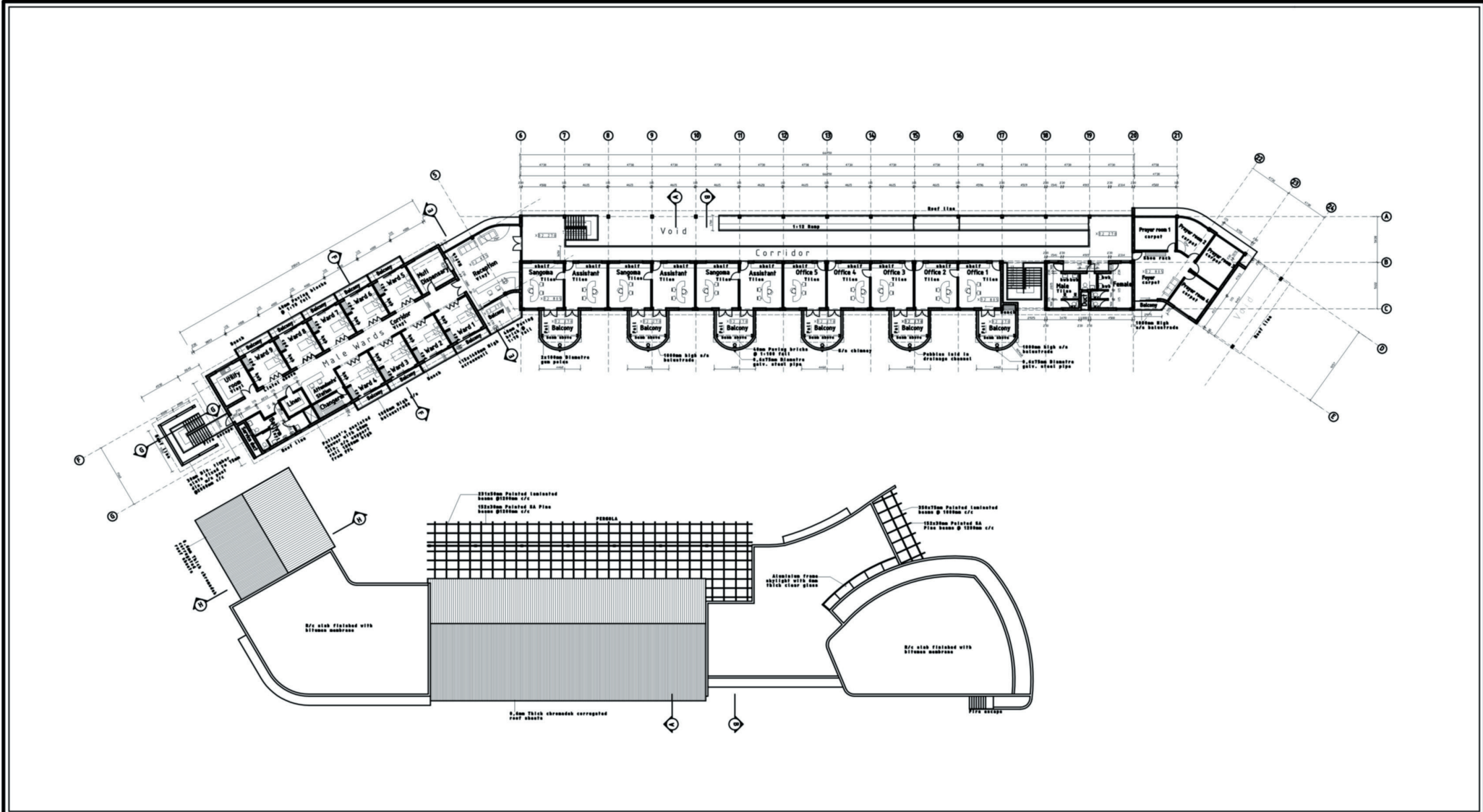
NORTH

01/10



Project:	DINGAKENG: CENTRE FOR TRADITIONAL HEALTH PRACTITIONERS	
Drawing:	GROUND FLOOR PLAN	
Scale:	1:200	



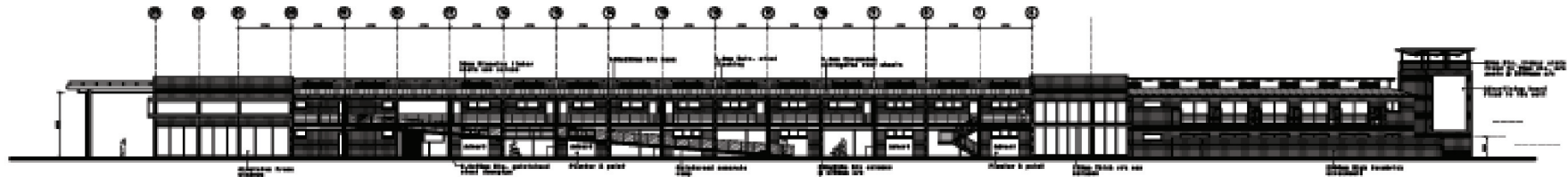


Project:	DINGAKENG: CENTRE FOR TRADITIONAL HEALTH PRACTITIONERS	
Drawing:	FIRST FLOOR PLAN	
Scale:	1:200	

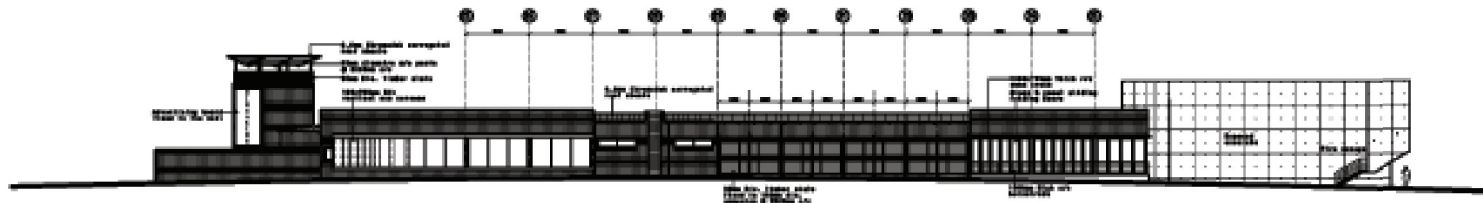


NORTH

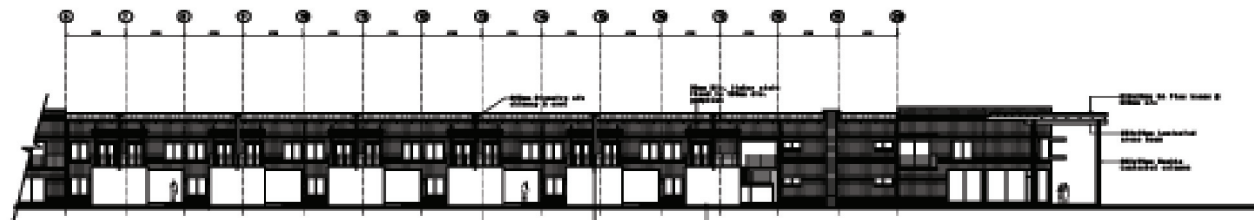
03/10



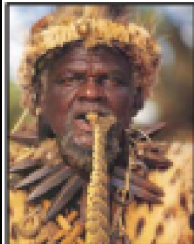
NORTH ELEVATION



SOUTH ELEVATION

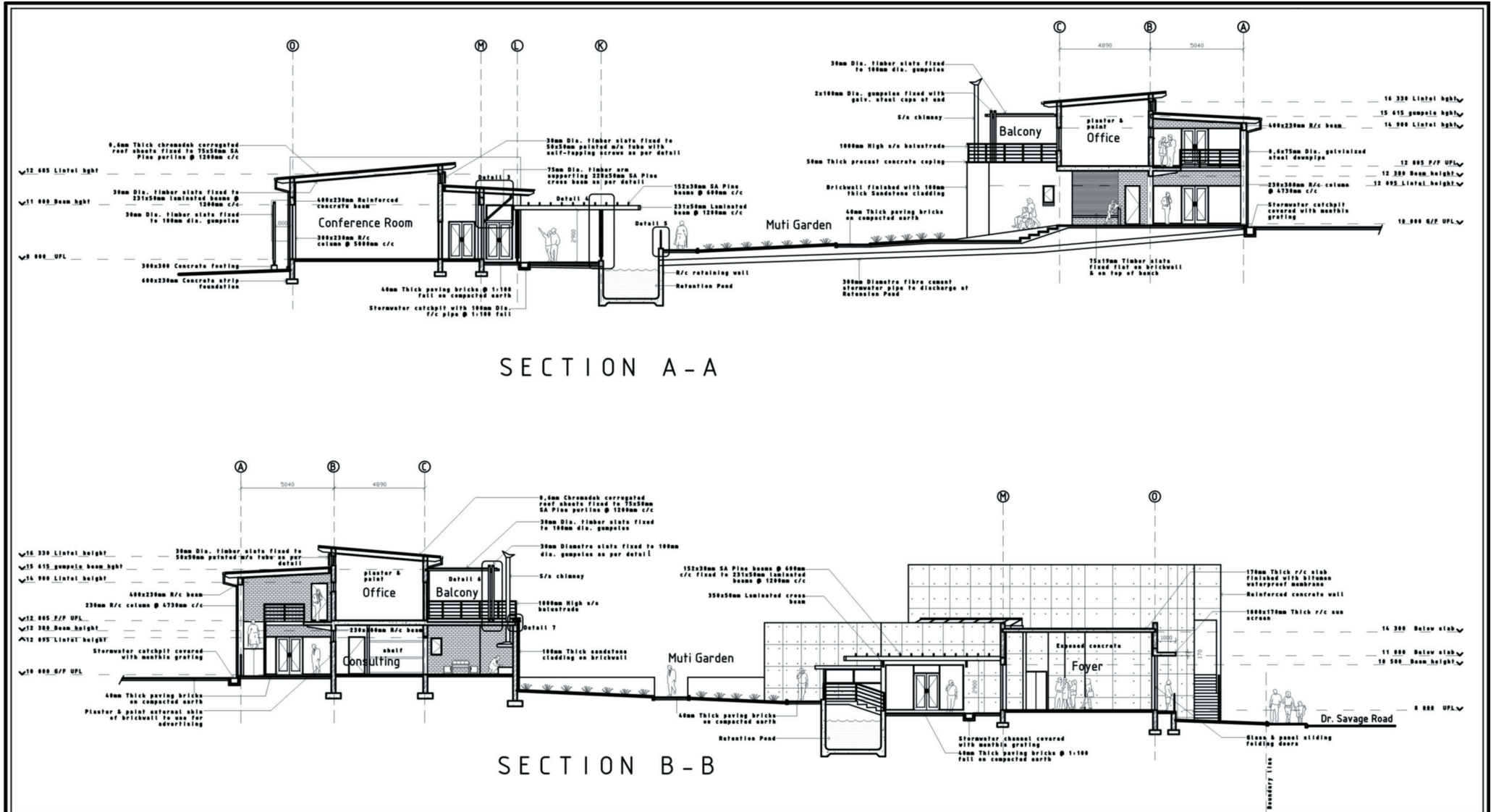


ELEVATION 1-1



Project:	DINGAKENG: CENTRE FOR TRADITIONAL HEALTH PRACTITIONERS	
Drawing:	ELEVATIONS	
Scale:	1:200	



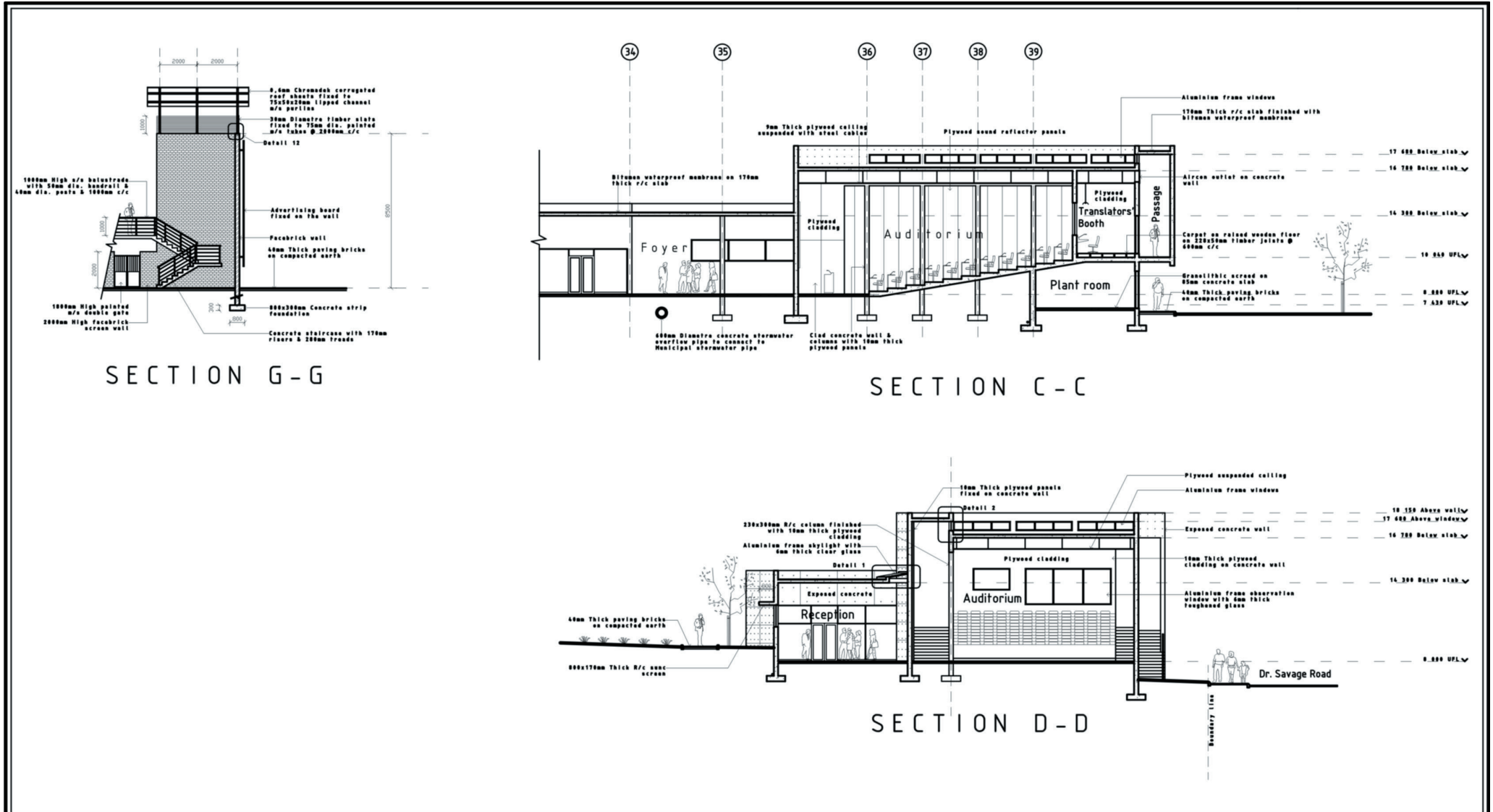


Project: **DINGAKENG: CENTRE FOR TRADITIONAL HEALTH PRACTITIONERS**

Drawing: **SECTIONS A-A & B-B**

Scale: **1:100**



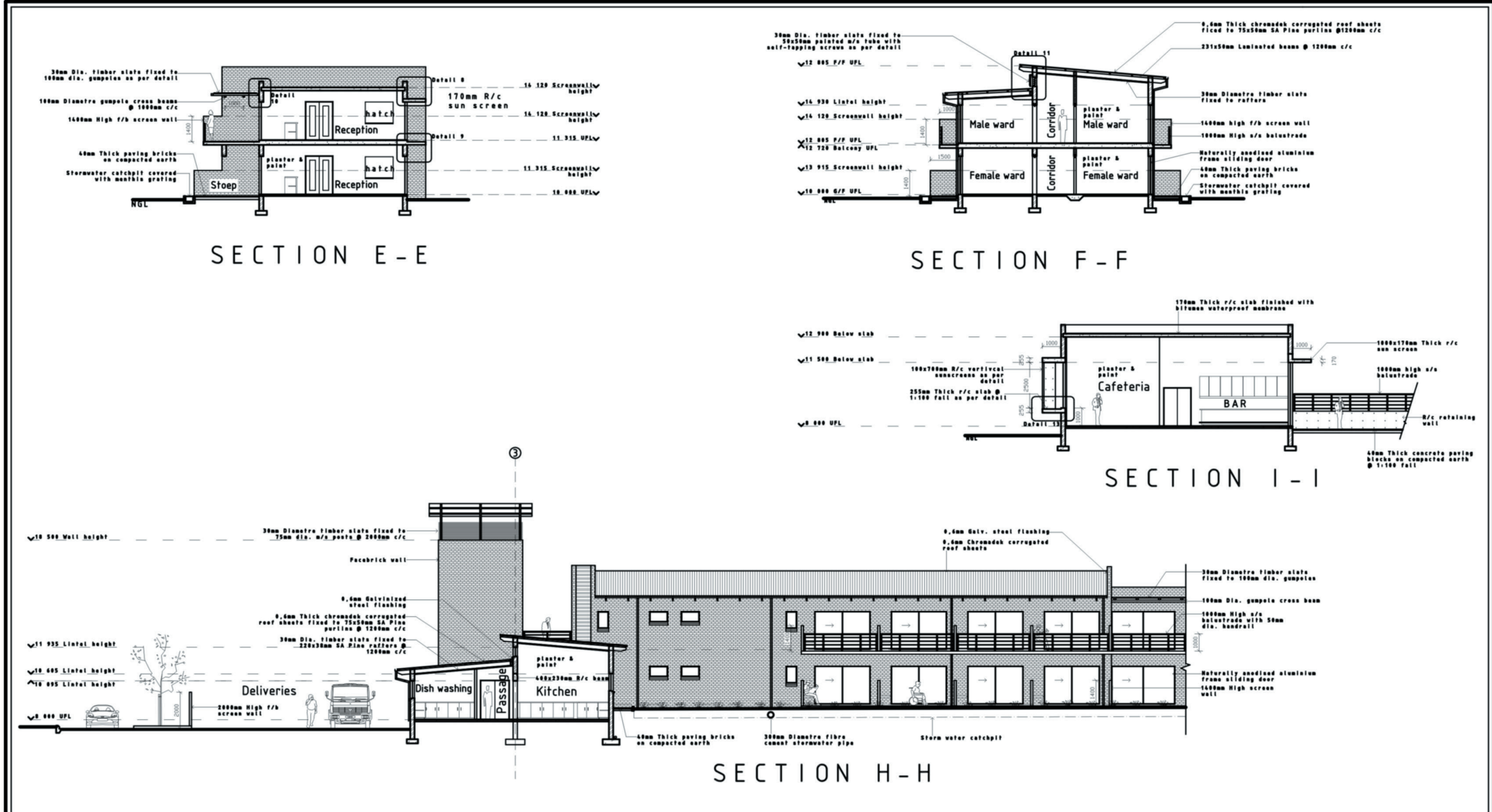


Project:	DINGAKENG: CENTRE FOR TRADITIONAL HEALTH PRACTITIONERS	
Drawing:	SECTIONS C-C, D-D, & G-G	
Scale:	1:100	



NORTH

06/10

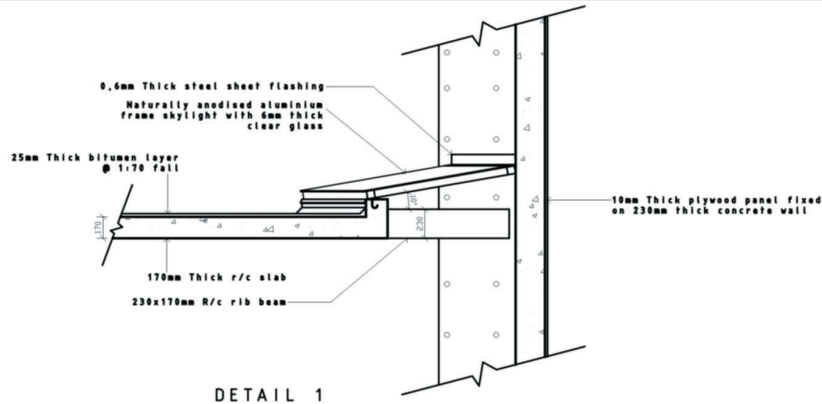


Project:	DINGAKENG: CENTRE FOR TRADITIONAL HEALTH PRACTITIONERS	
Drawing:	SECTIONS E-E, F-F, H-H, & I-I	
Scale:	1:100	

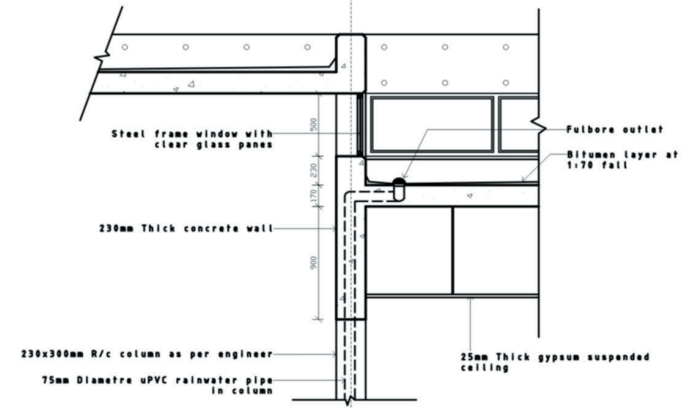


NORTH

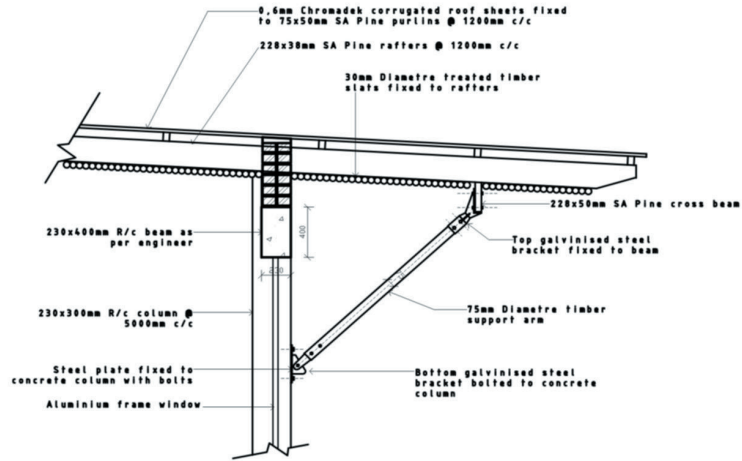
07/10



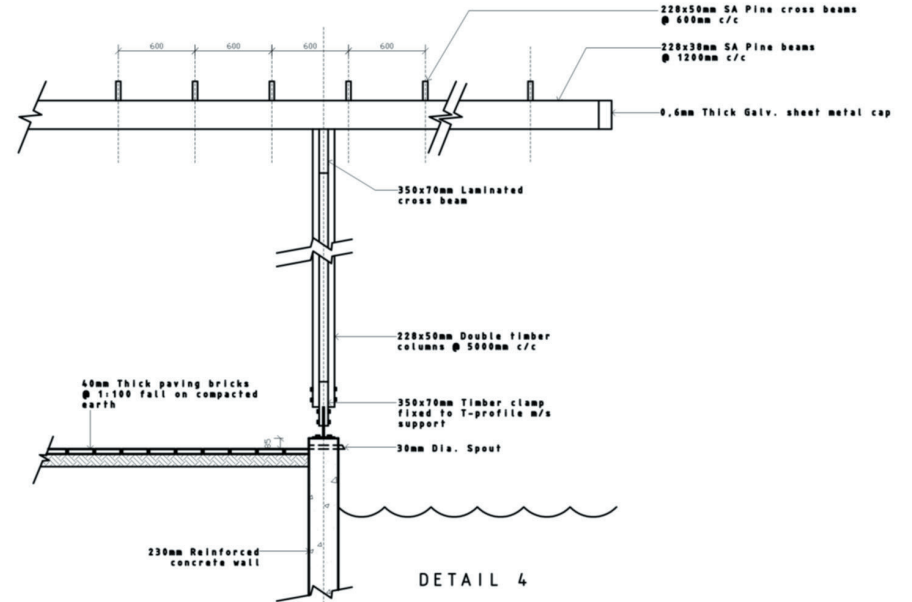
DETAIL 1



DETAIL 2



DETAIL 3



DETAIL 4



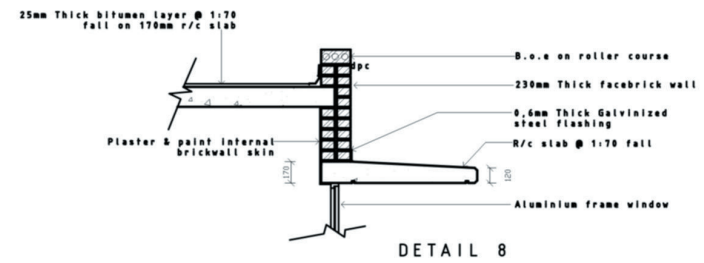
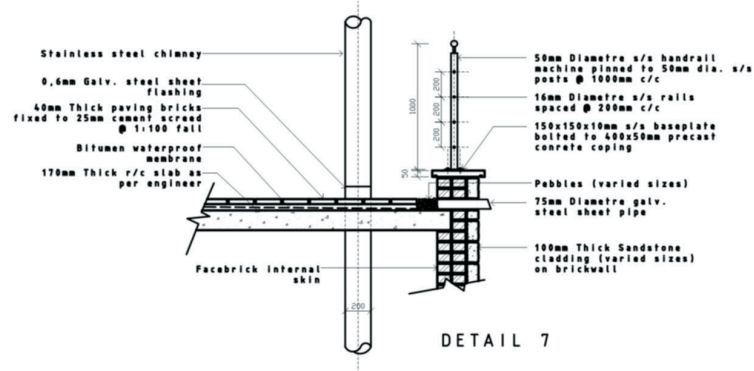
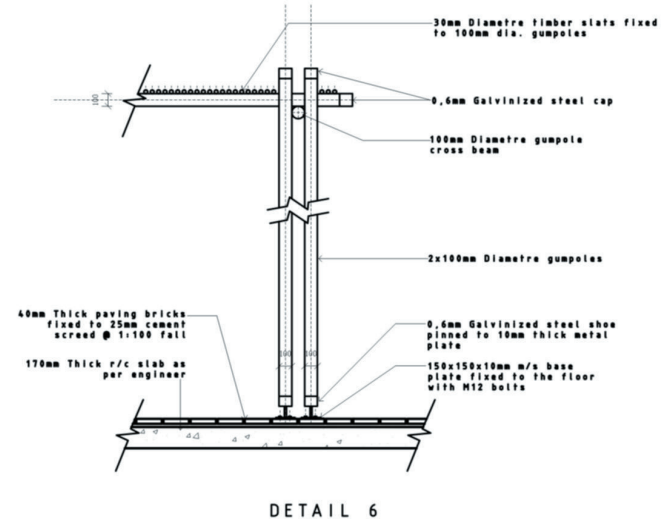
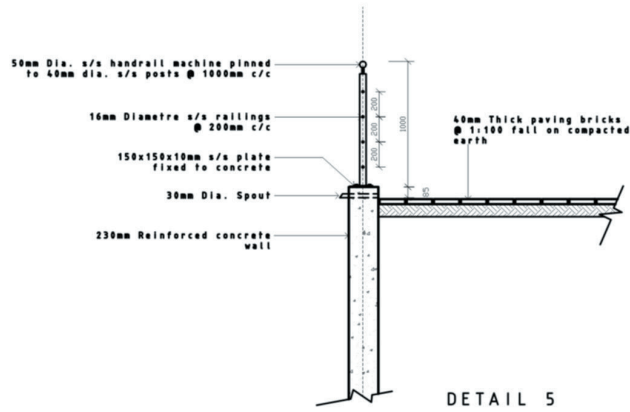
Project: DINGAKENG: CENTRE FOR TRADITIONAL HEALTH PRACTITIONERS

Drawing: DETAILS 1-4

Scale: 1:20

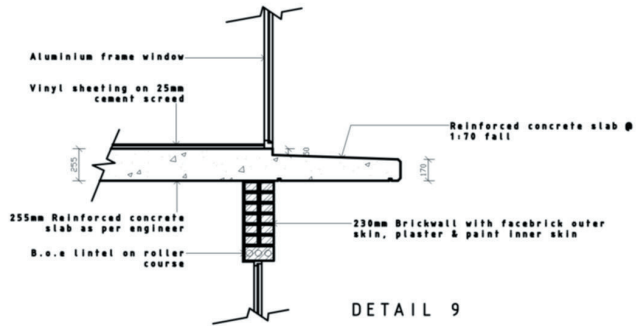




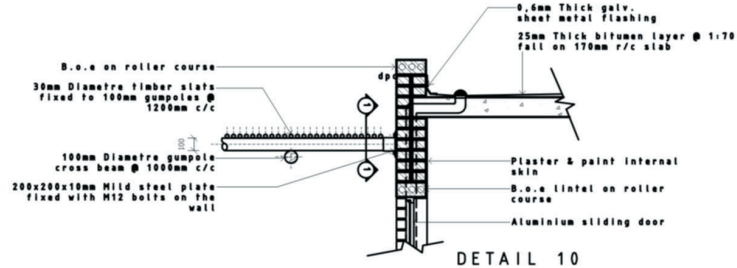


Project:	DINGAKENG: CENTRE FOR TRADITIONAL HEALTH PRACTITIONERS	
Drawing:	DETAILS 5-8	
Scale:	1:20	

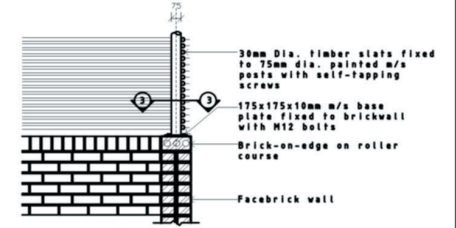




DETAIL 9



DETAIL 10



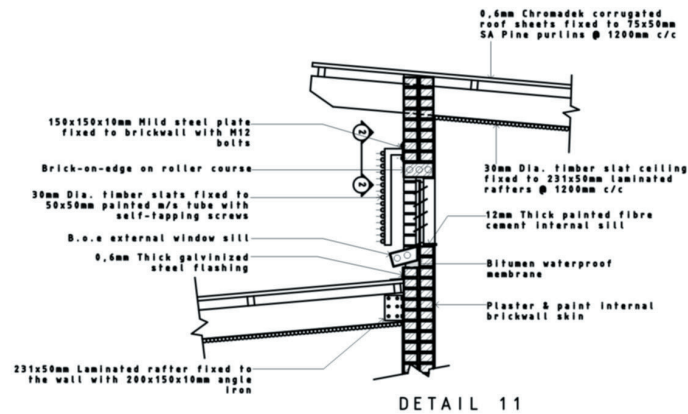
DETAIL 12



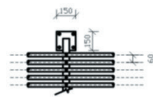
ELEVATION 1-1



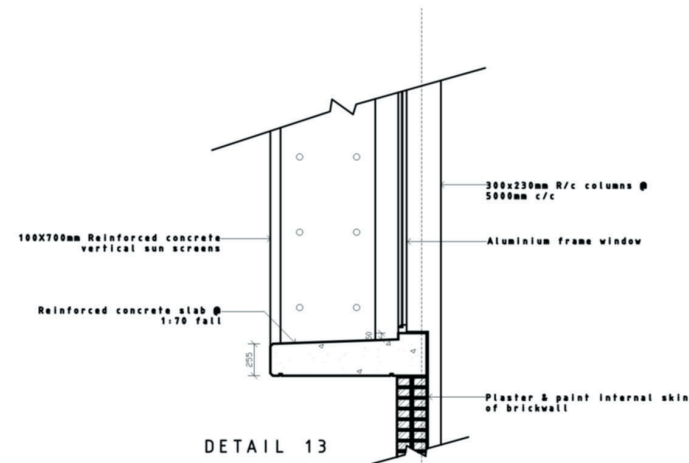
ELEVATION 3-3



DETAIL 11



ELEVATION 2-2



DETAIL 13



Project:	DINGAKENG: CENTRE FOR TRADITIONAL HEALTH PRACTITIONERS	
Drawing:	DETAILS 10-13	
Scale:	1:20	

