



Photo 1. D. Wunderlich

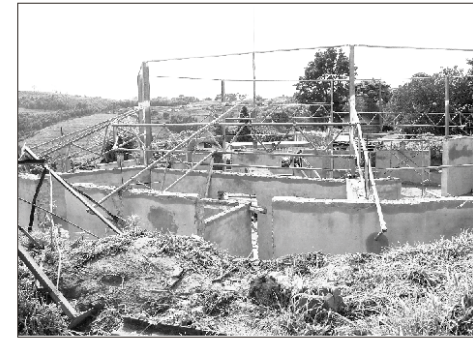


Photo 3. D. Wunderlich



Photo 2. D. Wunderlich

# Technical



Photo 4. D. Wunderlich



Photo 5. D. Wunderlich



Photo 6. D. Wunderlich



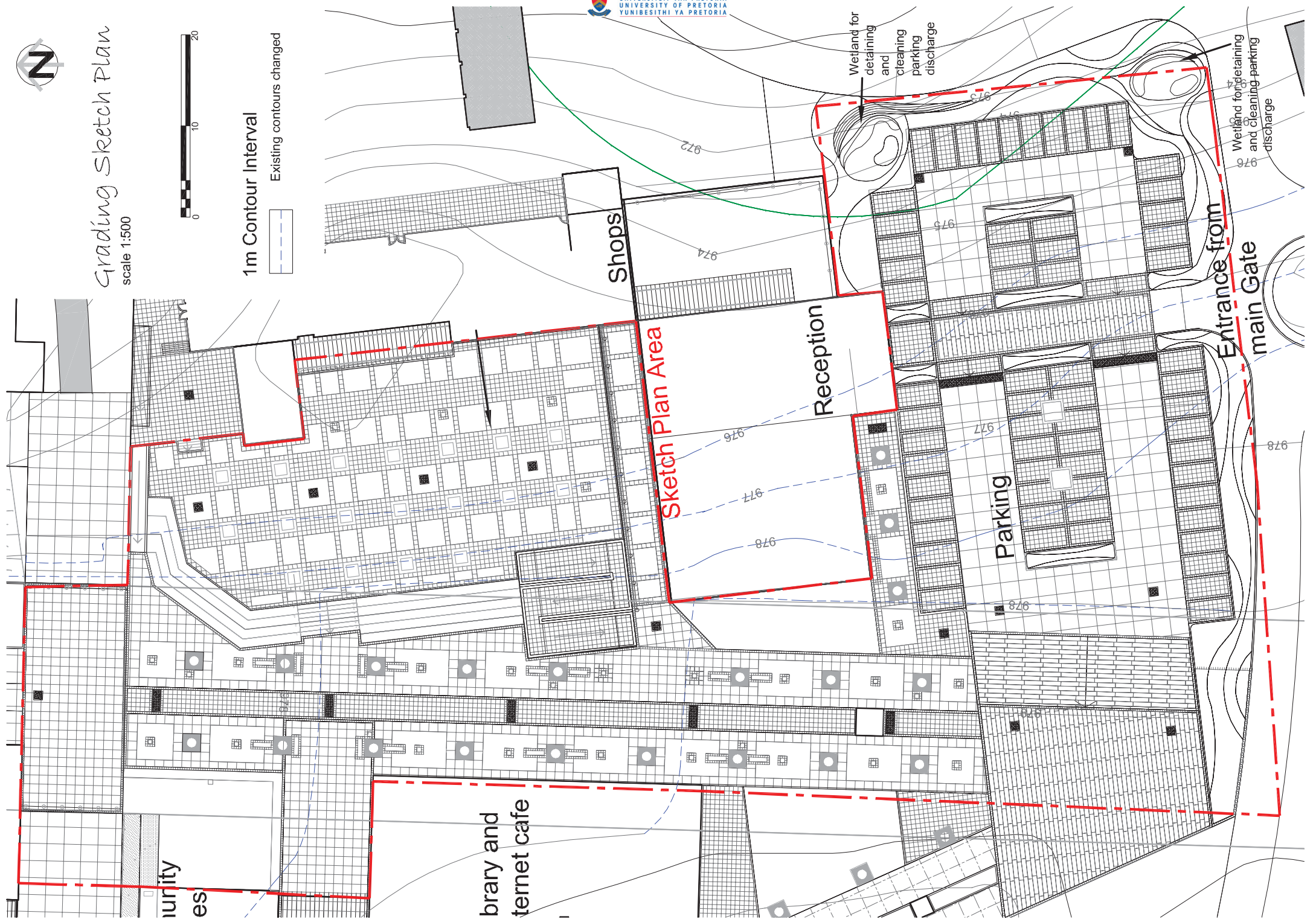
# Grading Sketch Plan

scale 1:500



1m Contour Interval

Existing contours changed



Security  
es

Library and  
internet cafe

Shops

Sketch Plan Area

Reception

Parking

Entrance from  
main Gate

Wetland for  
detaining  
and  
cleaning  
parking  
discharge

Wetland for  
detaining  
and cleaning  
parking  
discharge





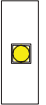








# Furniture Sketch Plan

scale 1:500



-  Recessed uplighter, 50W metal halide lamp
-  Wall mounted ambient lighting luminaires, 125W metal halide lamp
-  Post-top light with 250W metal halide lamp, refer to post-top detail
-  Litter bin, refer to litter bin detail
-  Benches, refer to bench detail

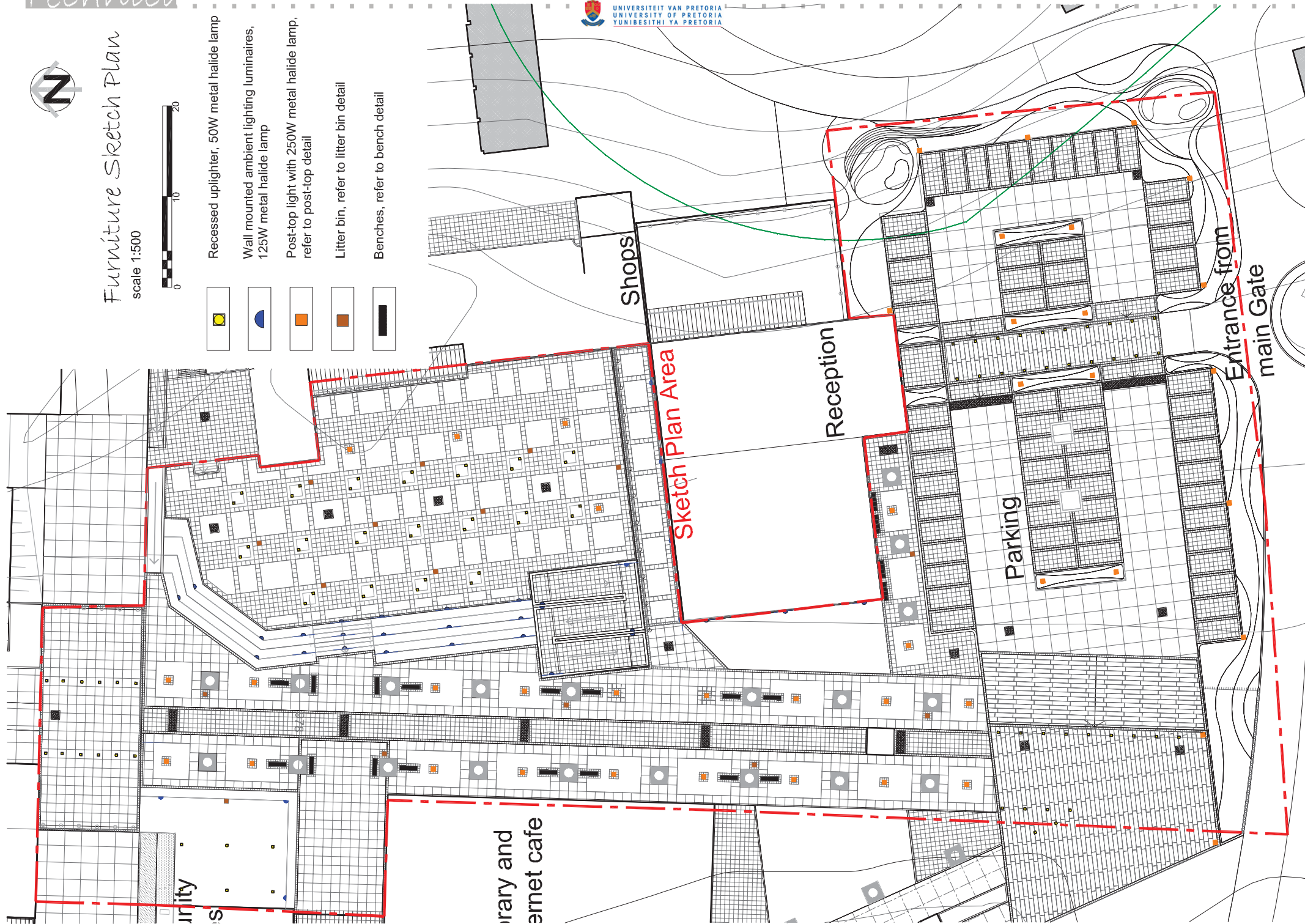
Recessed uplighter, 50W metal halide lamp

Wall mounted ambient lighting luminaires, 125W metal halide lamp

Post-top light with 250W metal halide lamp, refer to post-top detail

Litter bin, refer to litter bin detail

Benches, refer to bench detail



Library and internet cafe

Shops

Reception

Sketch Plan Area

Parking

Entrance from main Gate





# Paving Sketch Plan

scale 1:500



Paving blocks manufactured on site to conform to specified sizes.

Colour pigments to be added to concrete mix for the manufacturing of paving blocks, pre-cast or in-situ.



Charcoal



Natural concrete colour

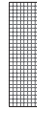


Terra Cotta colour



Sandstone colour

Heavy Duty Paving Blocks for Parking Area



250x250x100mm Pre-cast concrete paving



500x500x100mm Pre-cast concrete paving

Medium Duty Paving Blocks for Pedestrian Walkways and Public Square



250x250x50mm Pre-cast concrete paving



500x500x50mm Pre-cast concrete paving

In-situ cast concrete blocks



2000x2000x100mm In-situ cast concrete paving



2000x500x100mm In-situ cast concrete paving



1000x1000x100mm In-situ cast concrete paving





# Plant Sketch Plan

Shrubs and Groundcovers  
scale 1:500



### Shrubs

- Burchellia bubalina, 1/m<sup>2</sup>
- Duvonia adhatodoides, 1/m<sup>2</sup>
- Tecoma capensis, 1/m<sup>2</sup>

### Groundcovers

- Agapanthus africanus 'alba', 7/m<sup>2</sup>
- Asparagus densiflorus 'Meyersii', 9/m<sup>2</sup>
- Carissa maroccarpa 'Green Carpet', 7/m<sup>2</sup>
- Clivia miniata, 7/m<sup>2</sup>
- Eucomis autumnnalis, 9/m<sup>2</sup>
- Plectranthus verticillatus, 11/m<sup>2</sup>
- Pteris vittata, 5/m<sup>2</sup>

### Lawn

- Cynodon dactylon







# Plant Sketch Plan

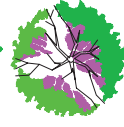
Trees  
scale 1:500



Trees



*Erythrina lysistemon*



*Calodendrum capense*



*Plataxylon obliquum*



*Acacia xanthoploea*



brary and  
ternet cafe

Shops

Reception

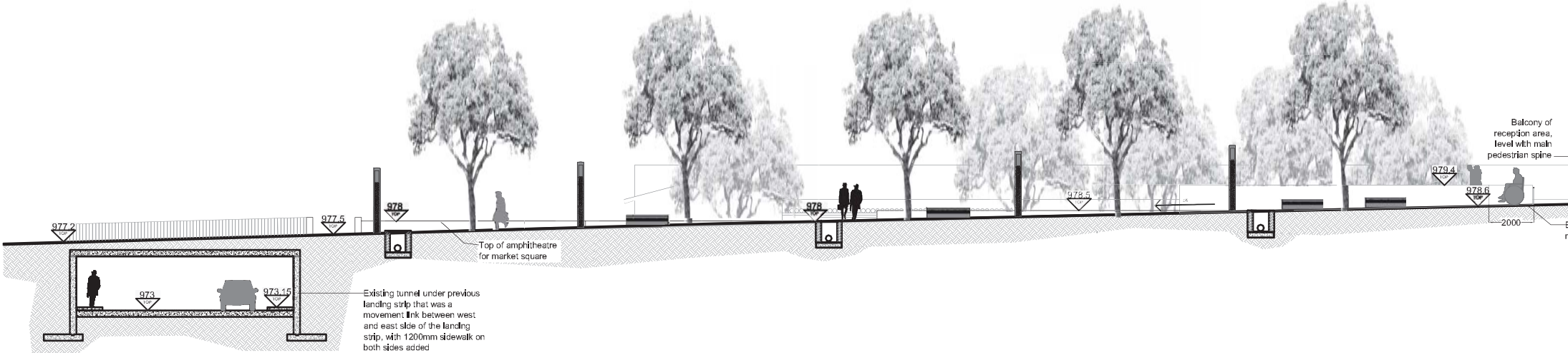
Parking

Entrance from  
main Gate



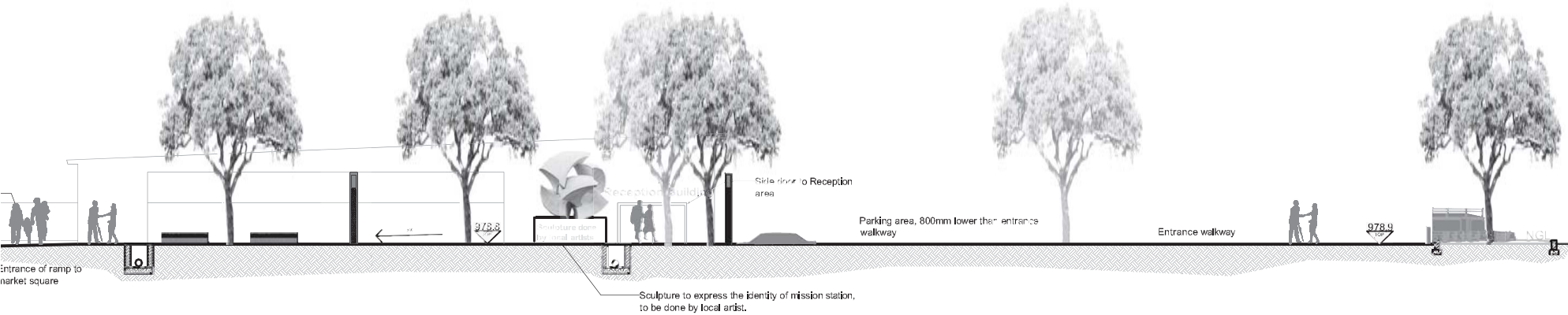
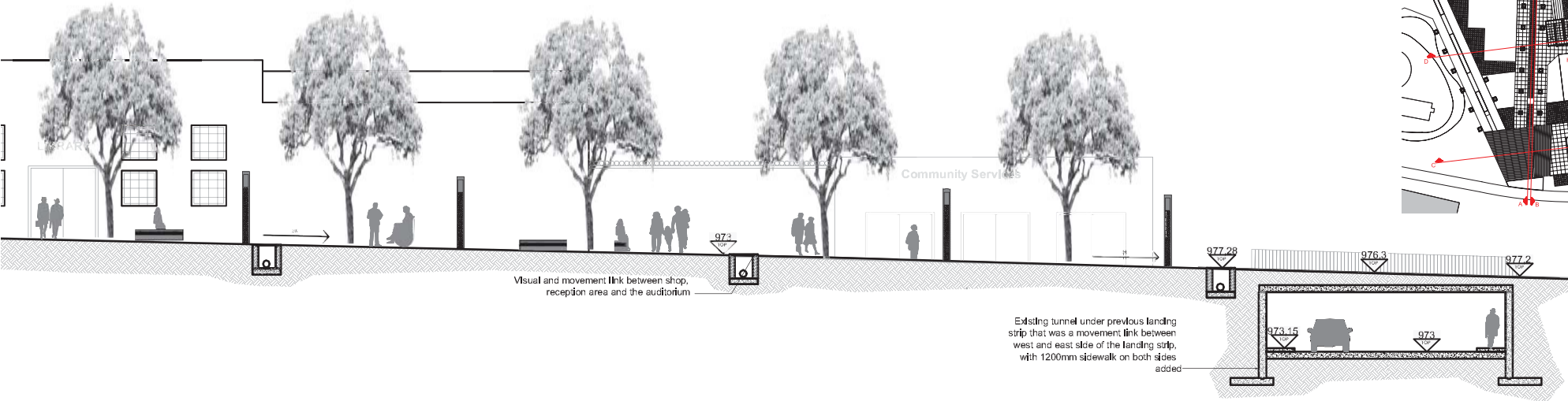
**Section AA**  
scale 1:250

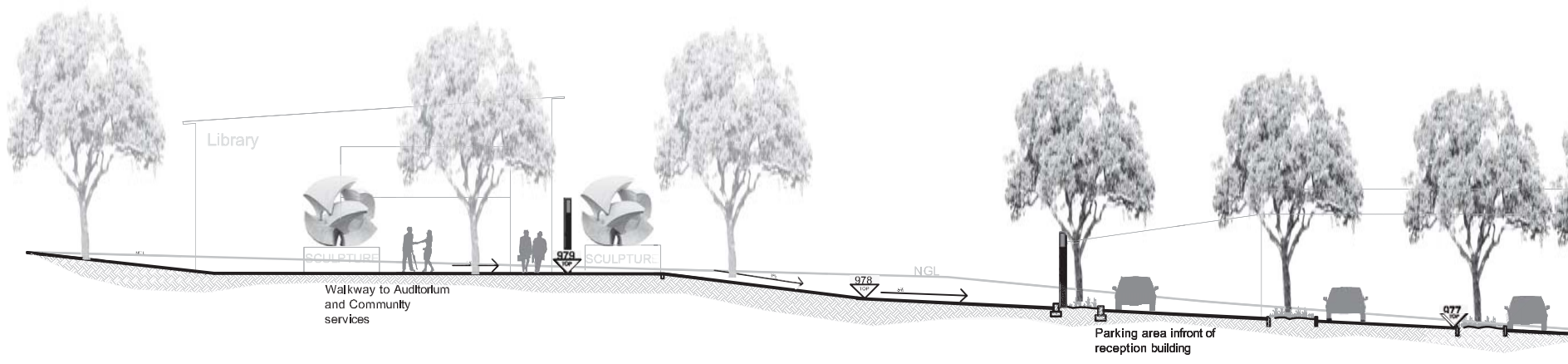
Sculpture to express the identity of mission station, to be done by local artist.



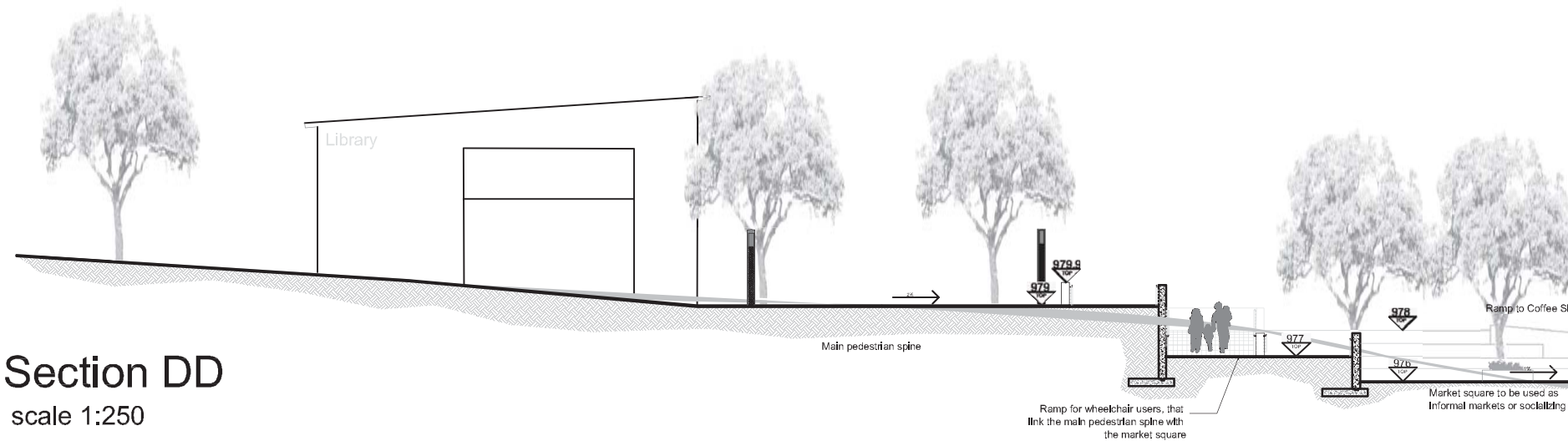
**Section BB**  
scale 1:250





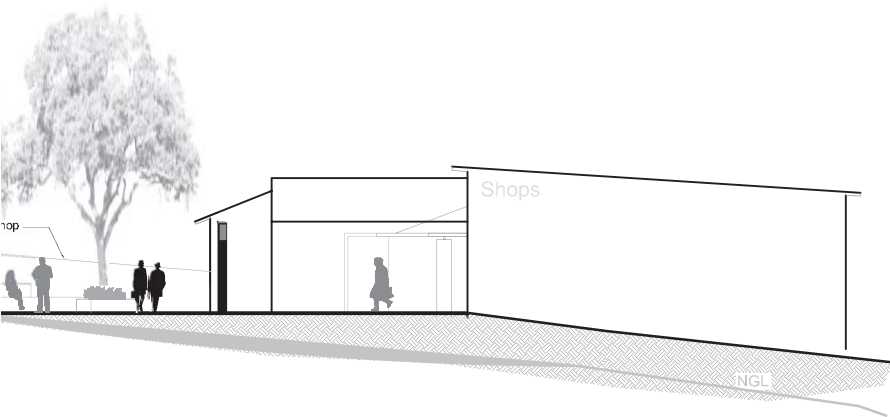
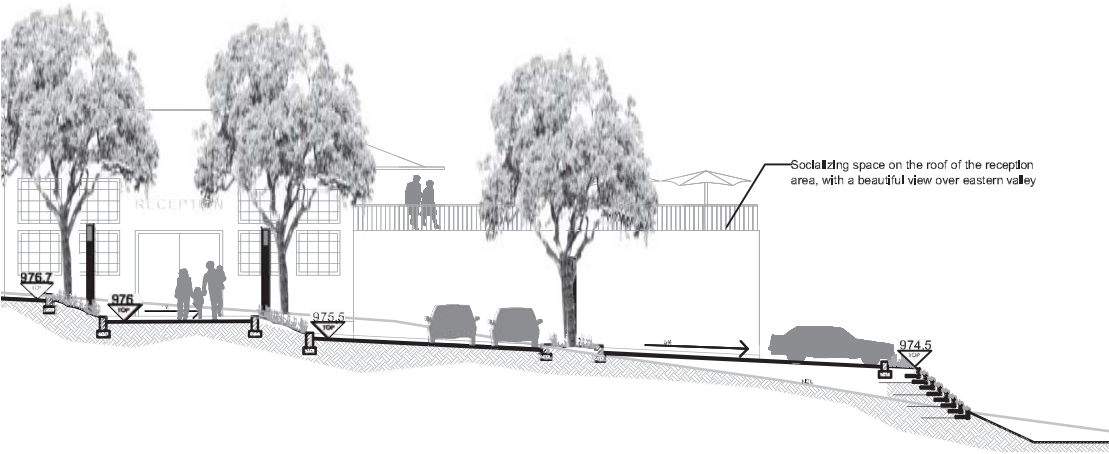


Section CC  
scale 1:250

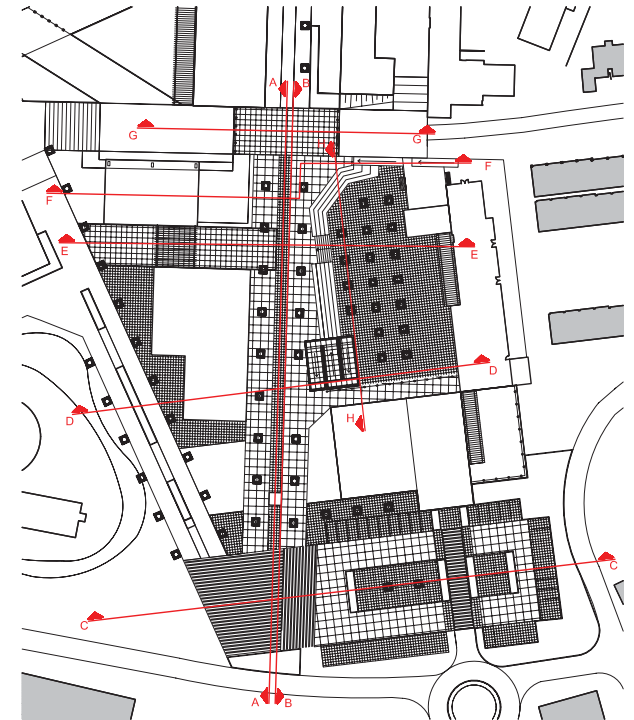


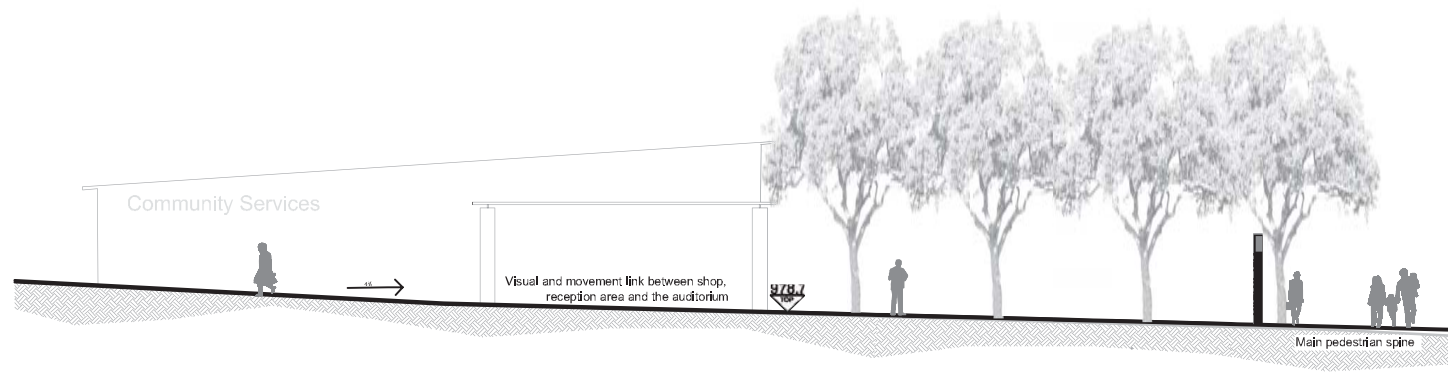
Section DD  
scale 1:250



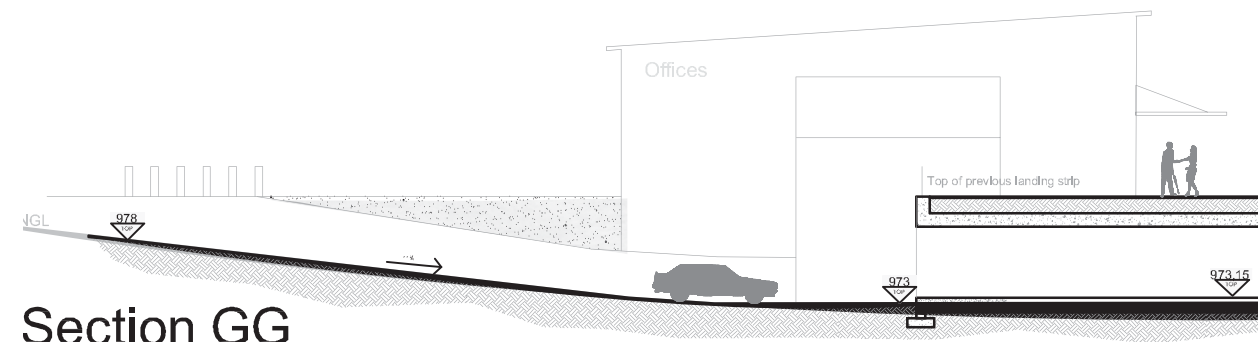


Key plan



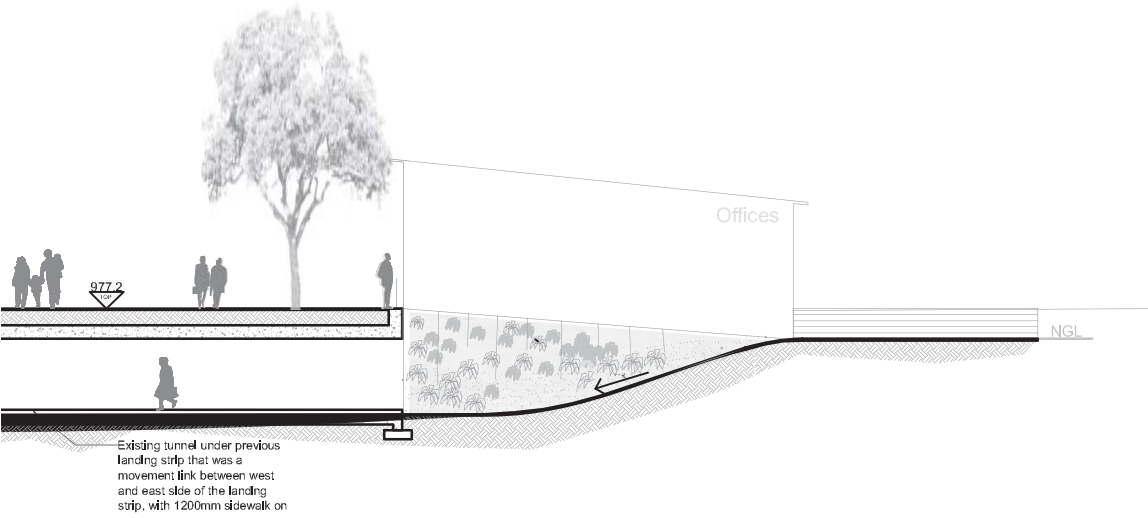
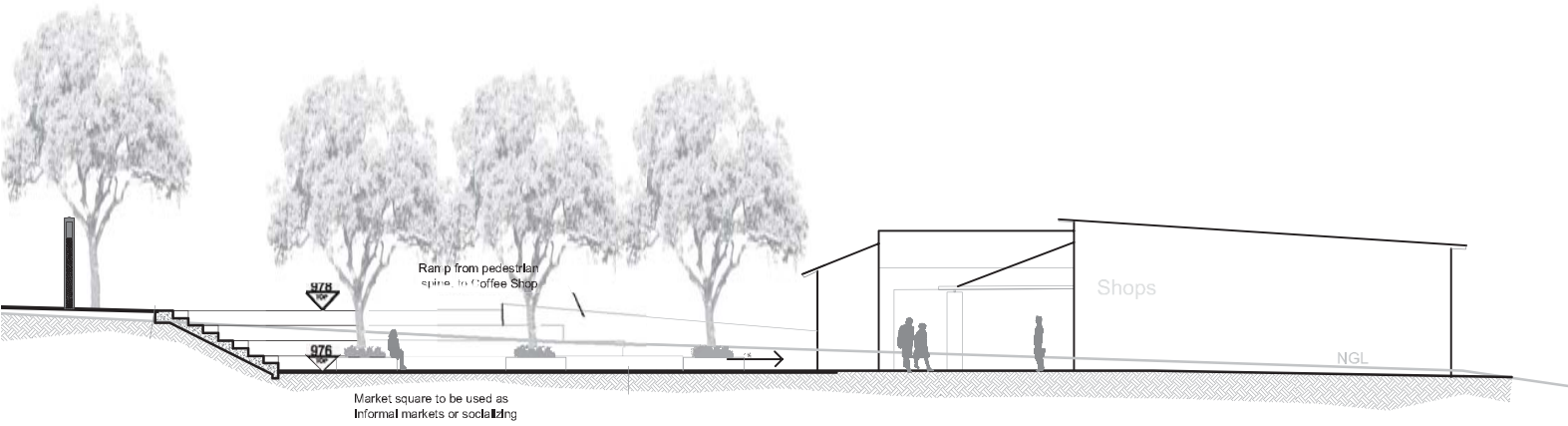


**Section EE**  
scale 1:250

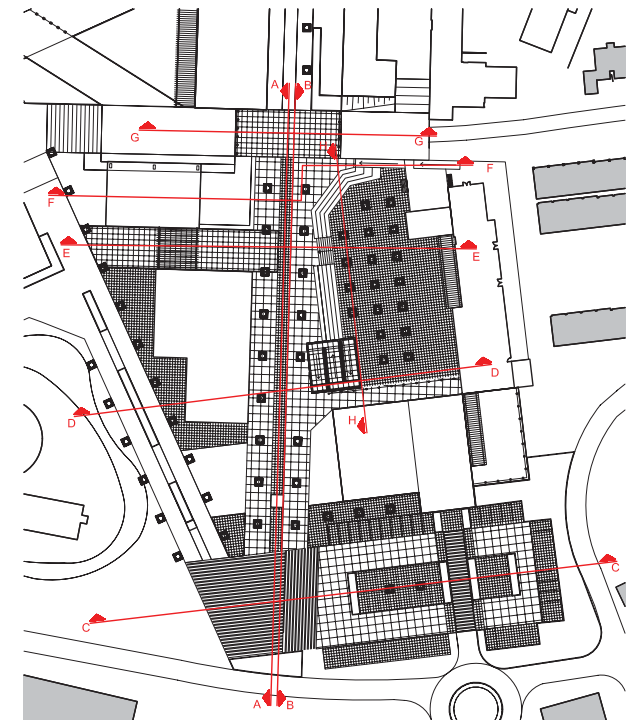


**Section GG**  
scale 1:250

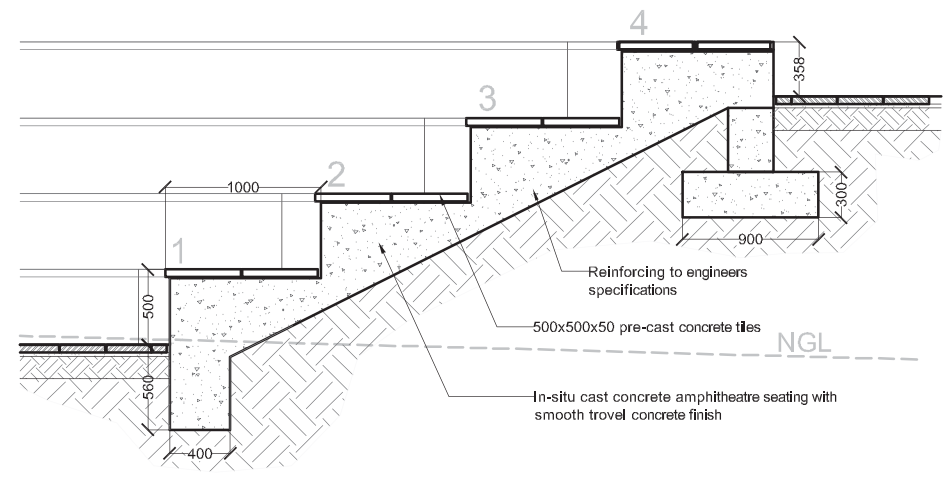




Key plan

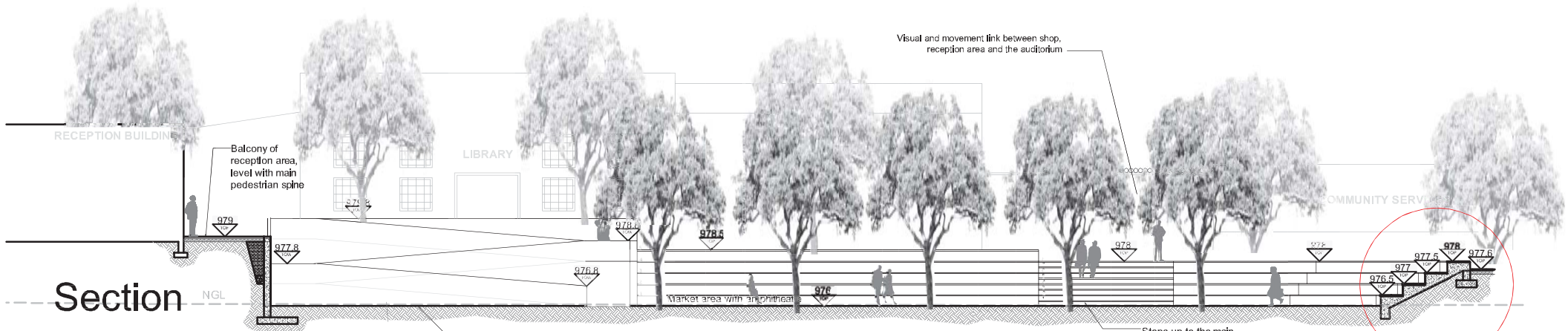


amphitheatre



### Section of Amphitheatre

Scale 1:20

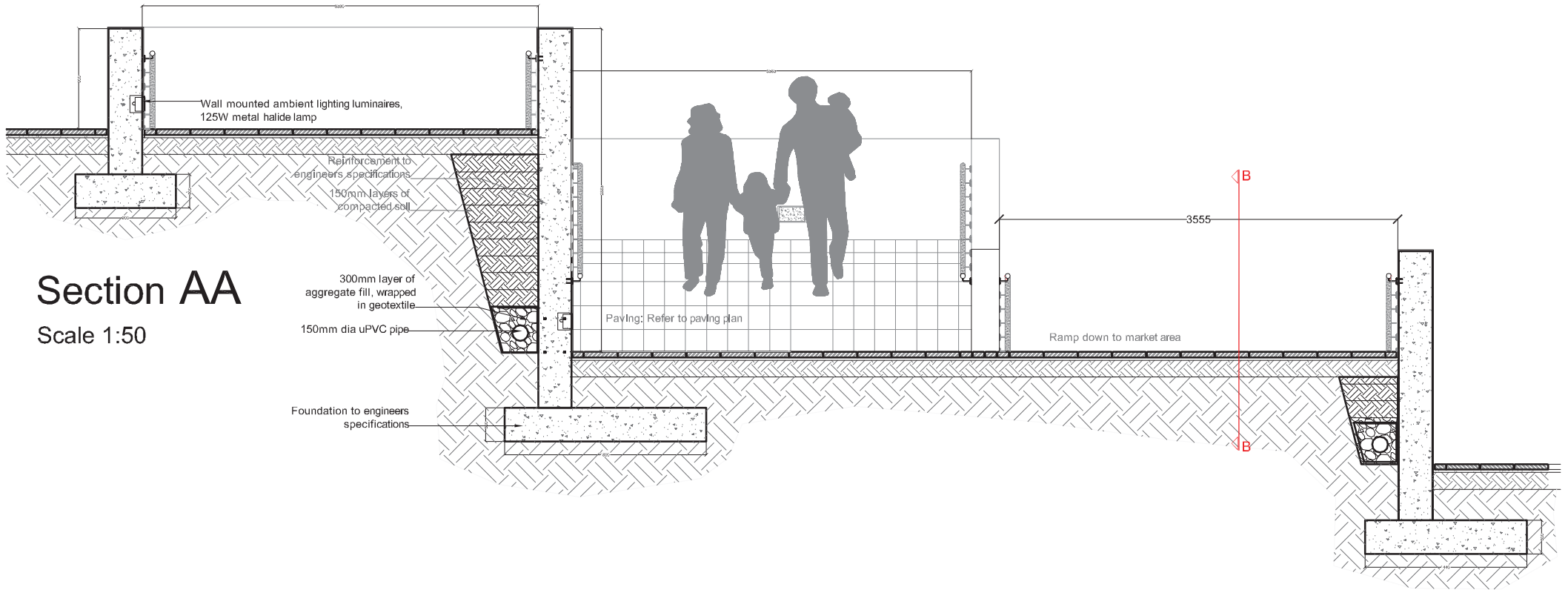


### Section

Scale 1:250

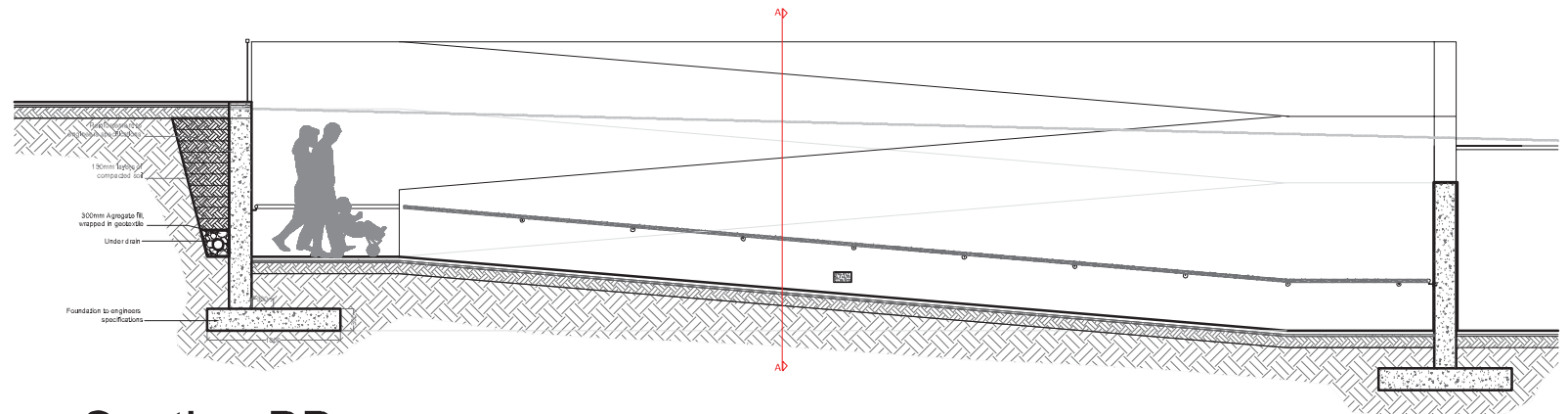
See section of amphitheatre





## Section AA

Scale 1:50

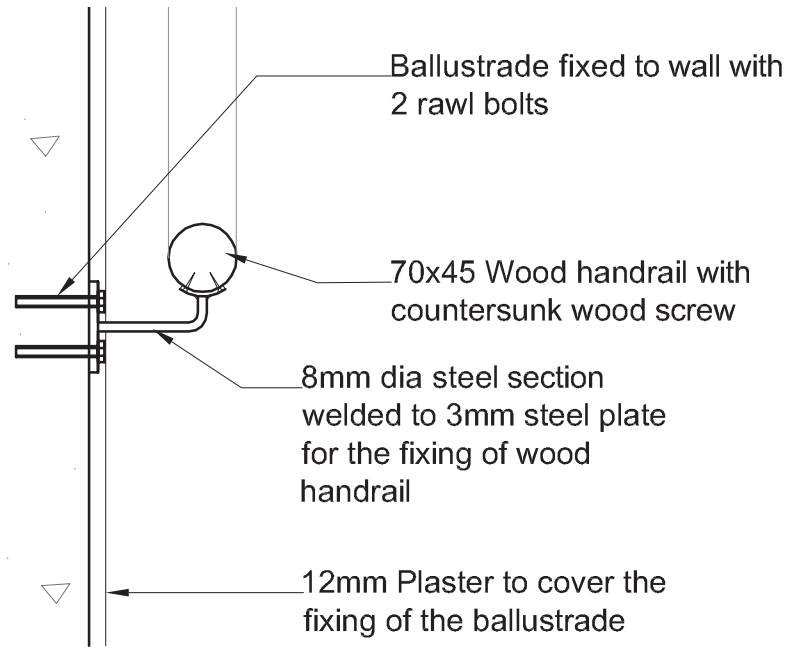
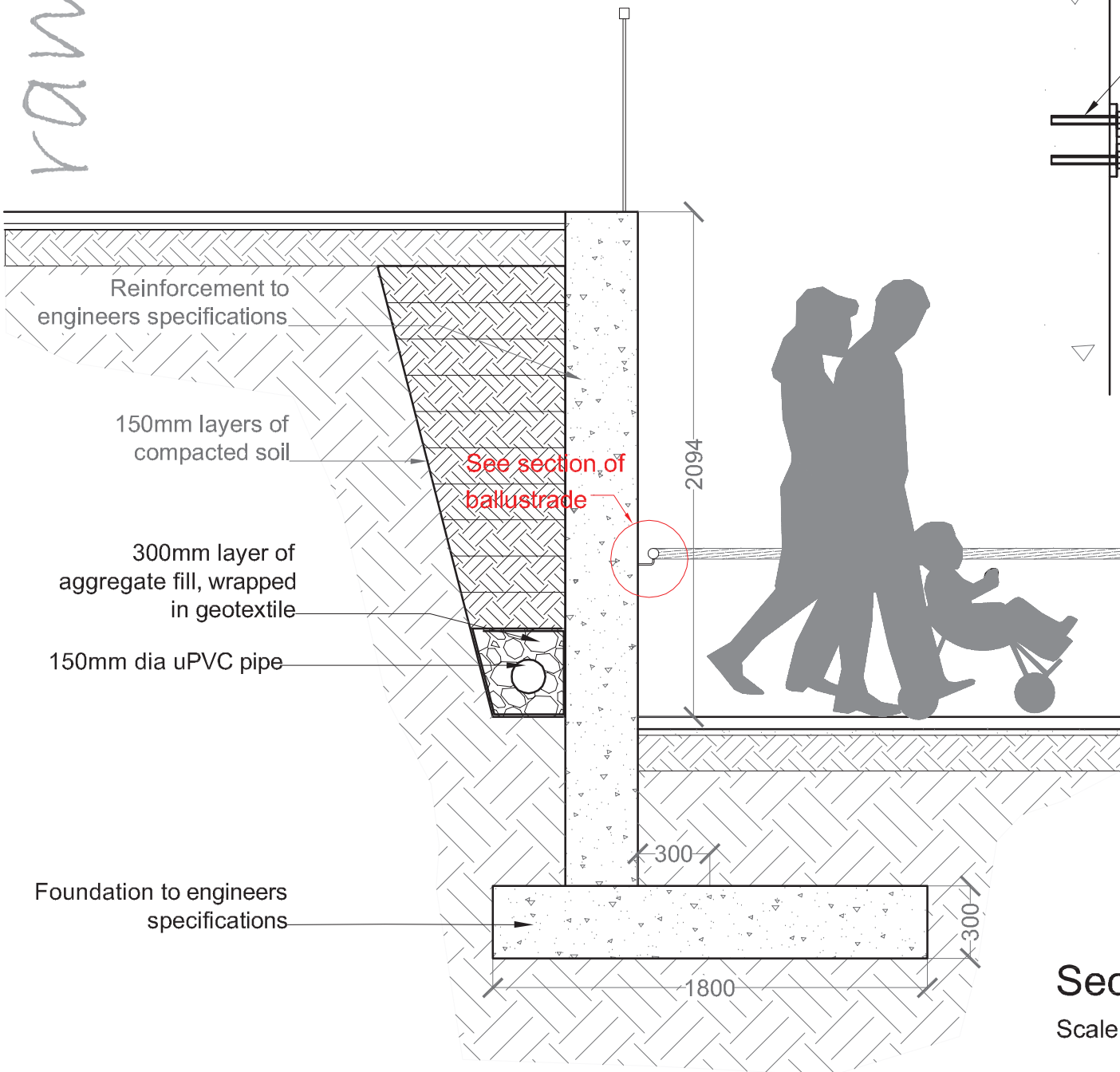


## Section BB

Scale 1:100

ramp

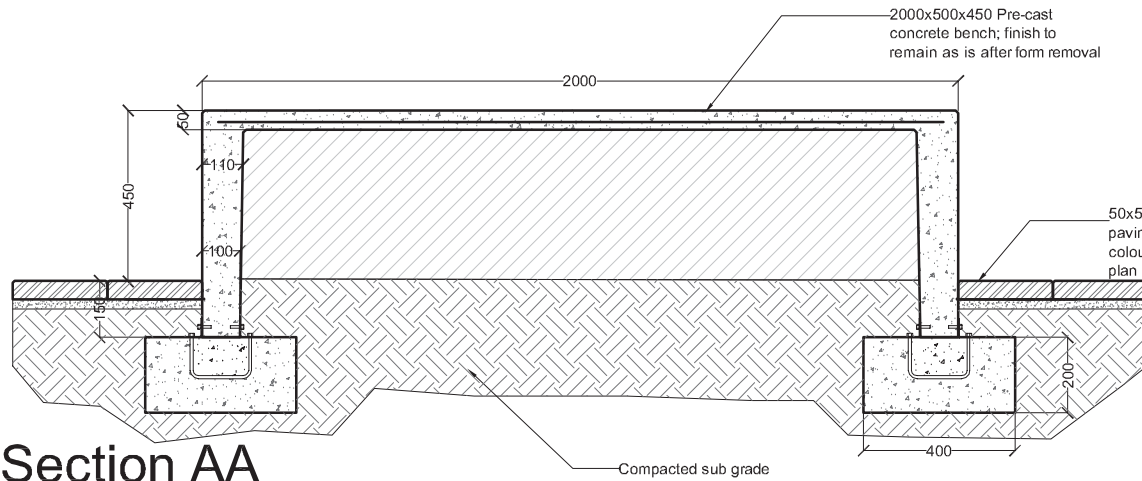
ramp



Section of ballustrade  
Scale 1:25

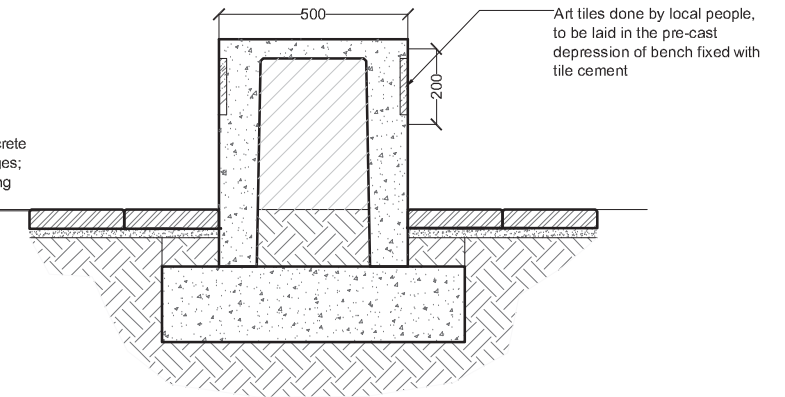
Section of retaining wall  
Scale 1:25





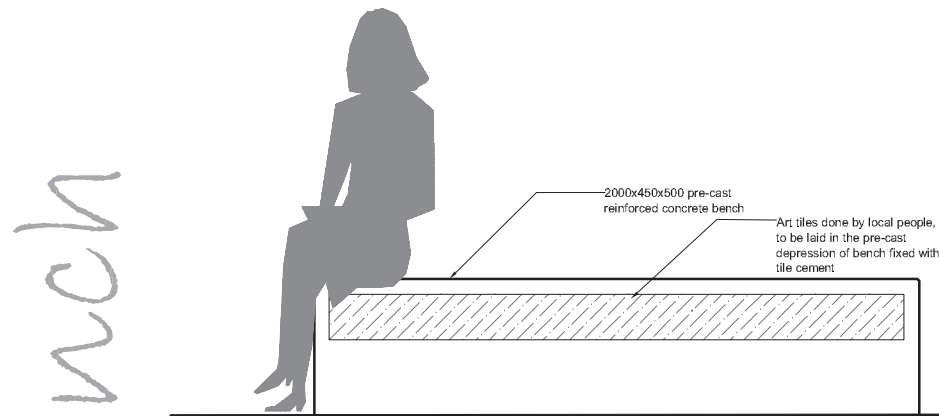
## Section AA

Scale 1:20



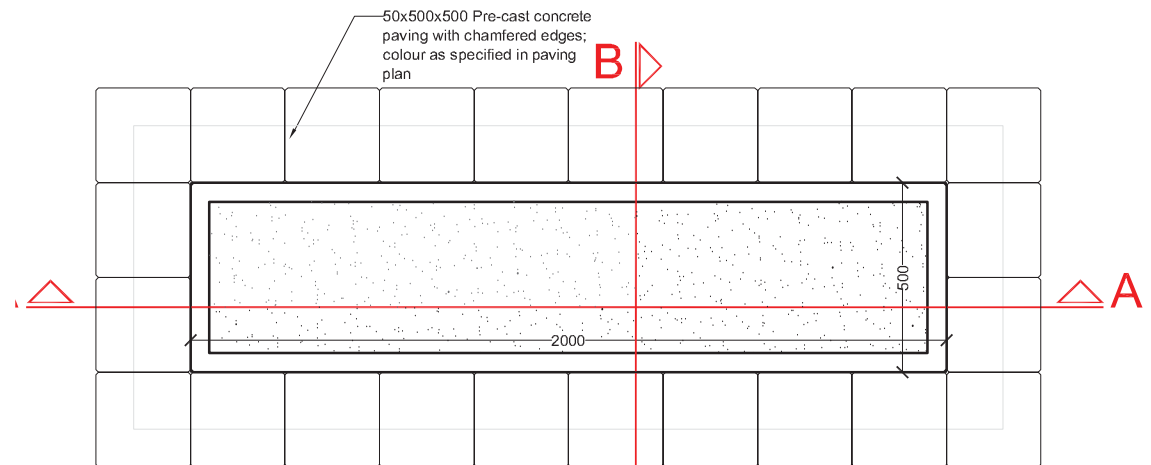
## Section BB

Scale 1:20



## Front elevation

Scale 1:25

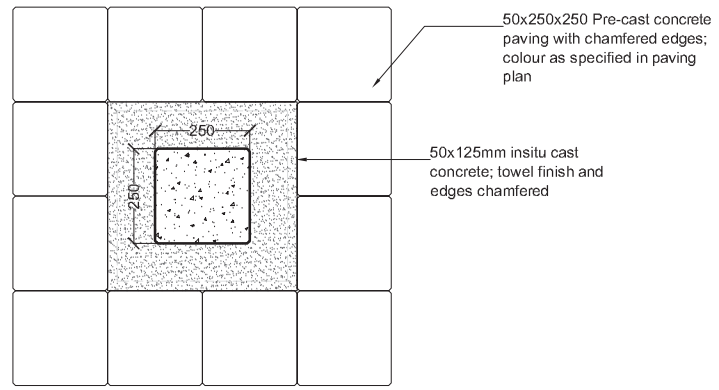


## Plan

Scale 1:20

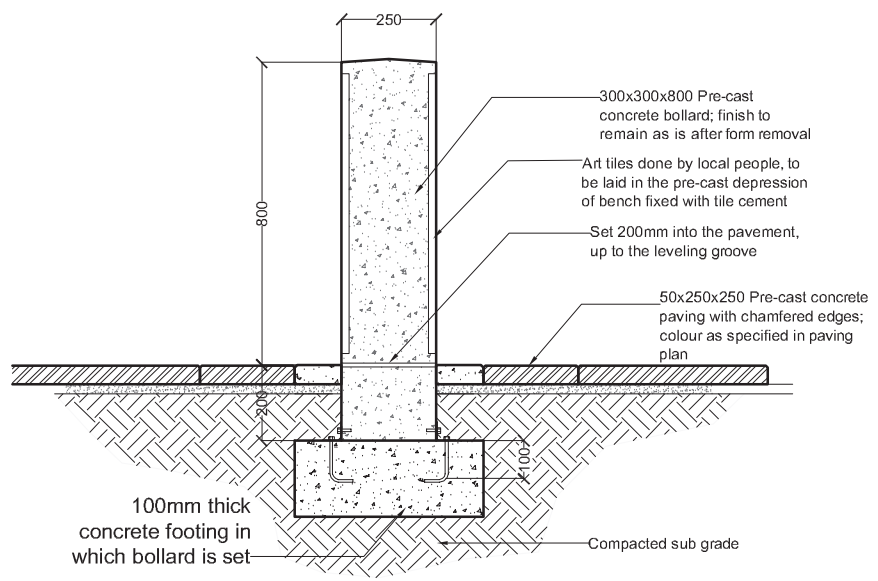
bench

bollard  
bollard light



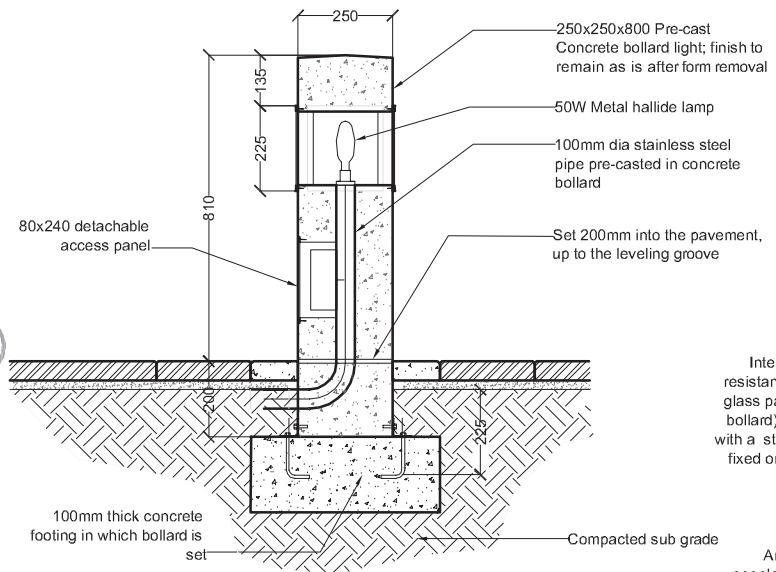
### Plan

Scale 1:20



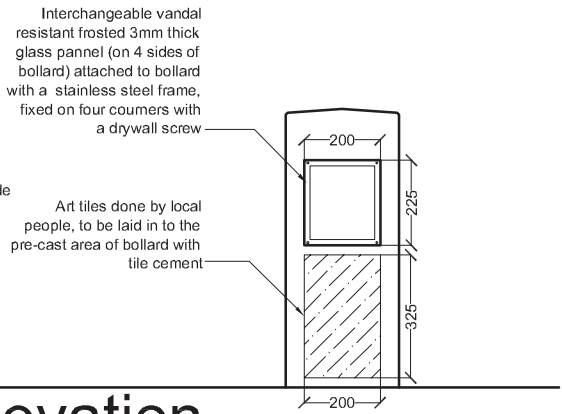
### Section

Scale 1:20



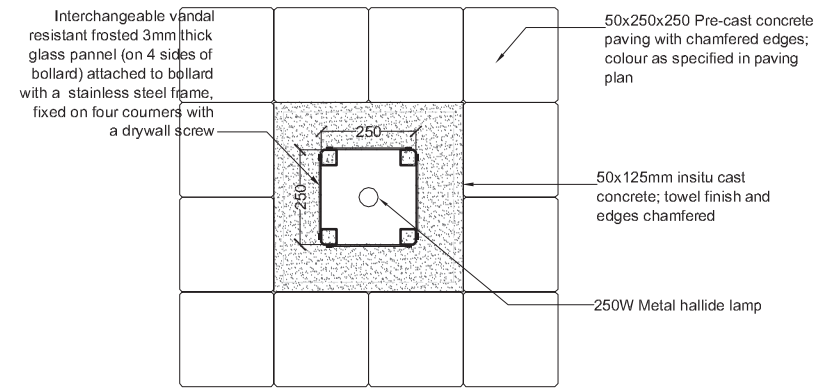
### Section

Scale 1:20



### Elevation

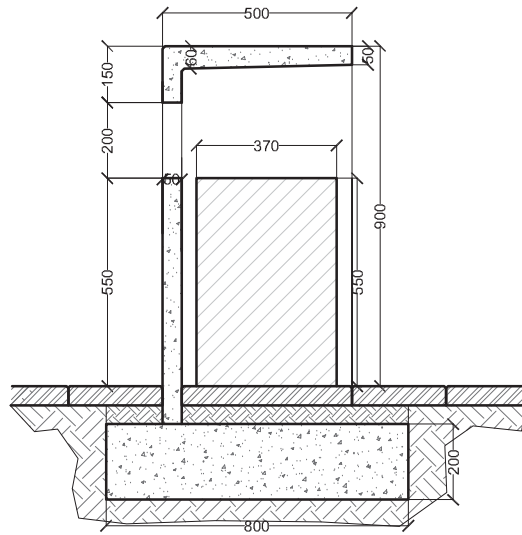
Scale 1:20



### Plan

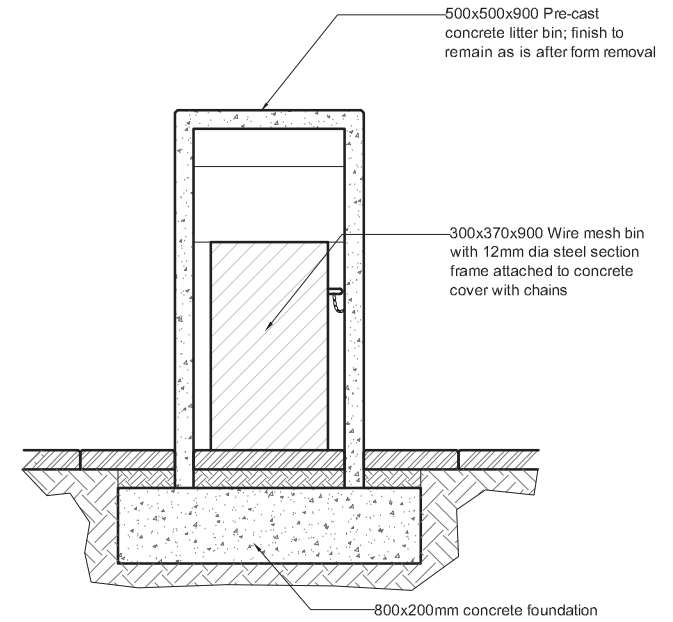
Scale 1:20





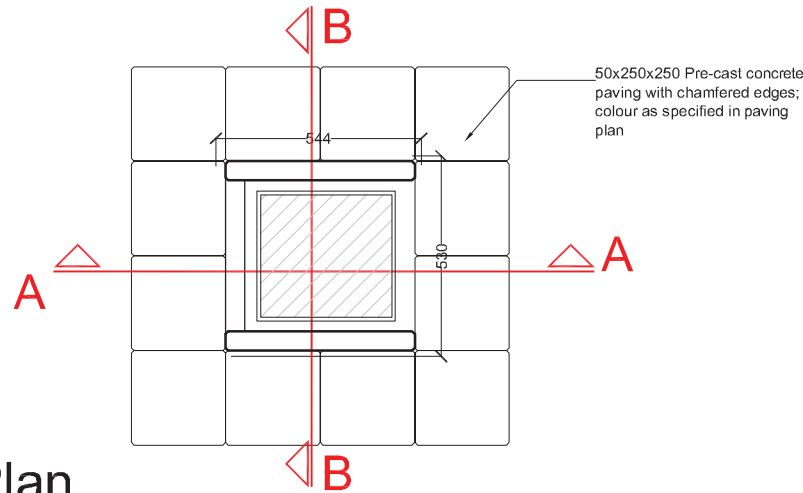
Section AA

Scale 1:20



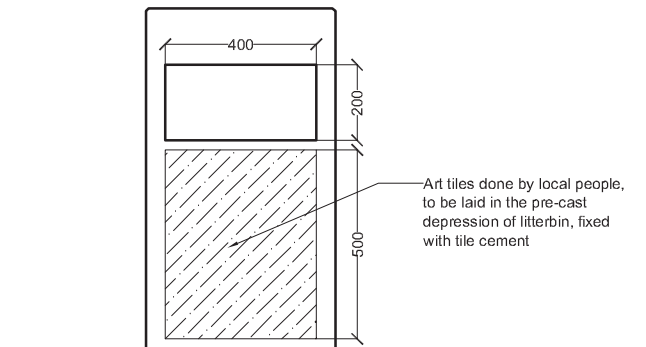
Section BB

Scale 1:20



Plan

Scale 1:20



Elevation

Scale 1:20

litter bin

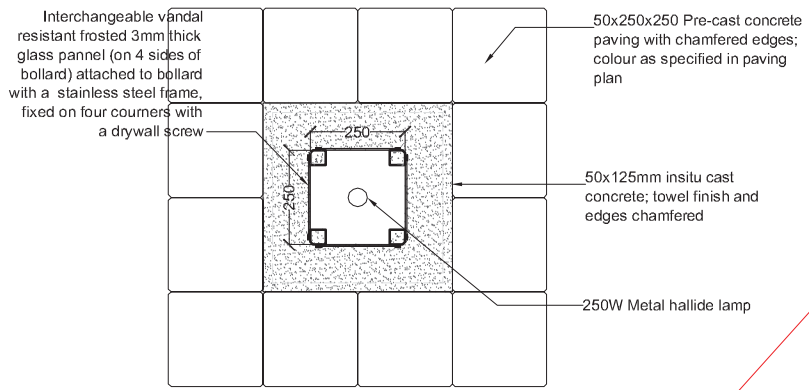
500x500x900 Pre-cast concrete litter bin; finish to remain as is after form removal

300x370x900 Wire mesh bin with 12mm dia steel section frame attached to concrete cover with chains

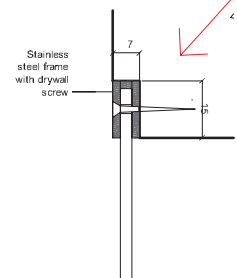
800x200mm concrete foundation

50x250x250 Pre-cast concrete paving with chamfered edges; colour as specified in paving plan

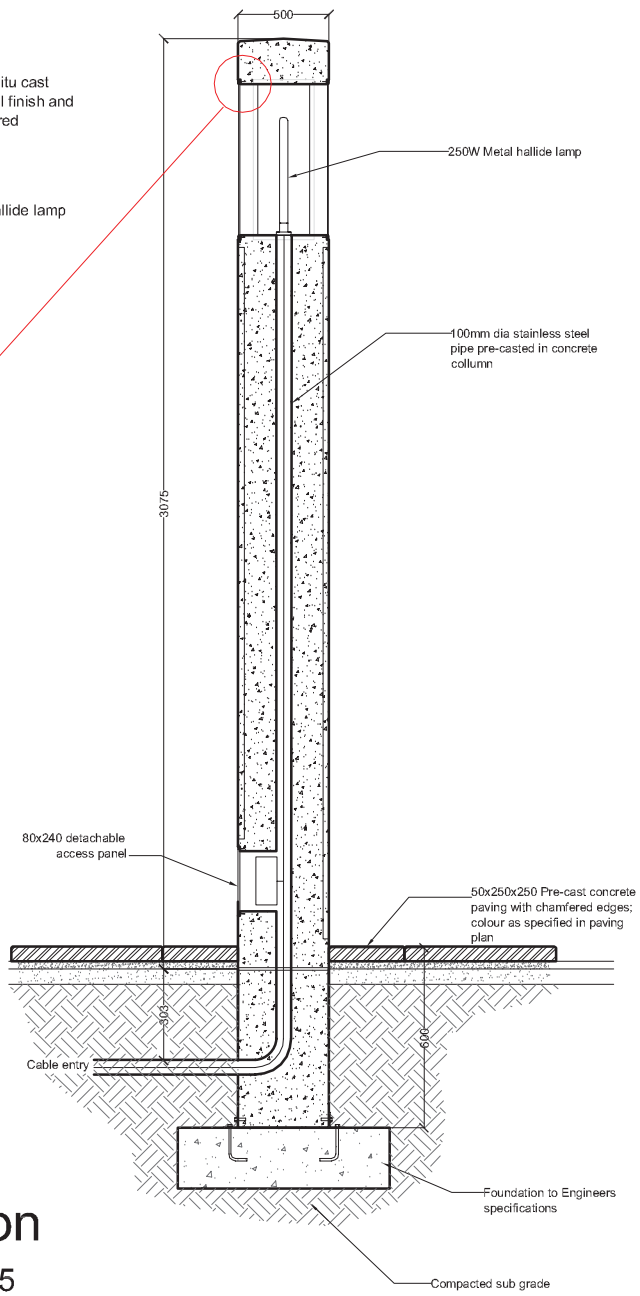
Art tiles done by local people, to be laid in the pre-cast depression of litterbin, fixed with tile cement



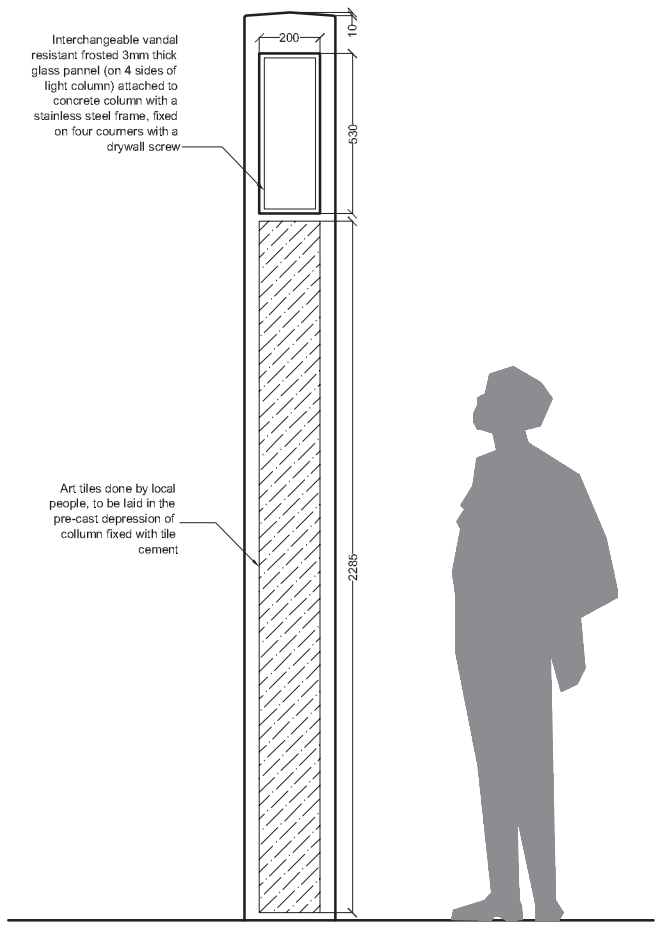
**Plan**  
Scale 1:20



**Detail of stainless steel frame**  
Scale 1:25



**Section**  
Scale 1:25

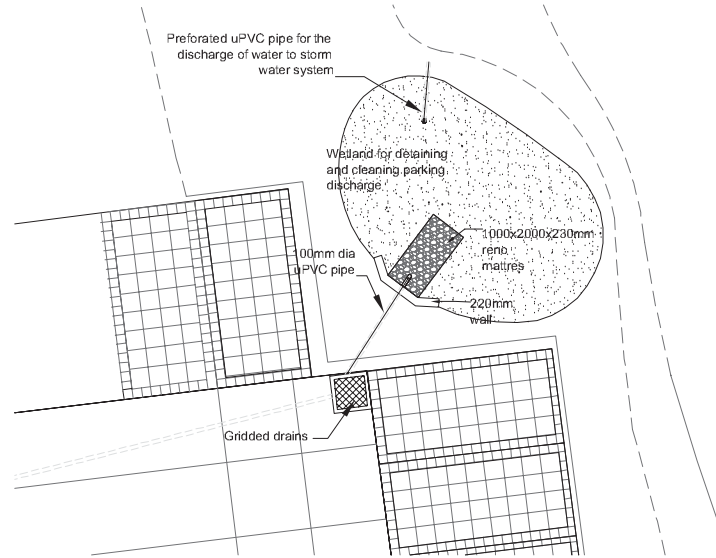


**Elevation**  
Scale 1:25

post-top light

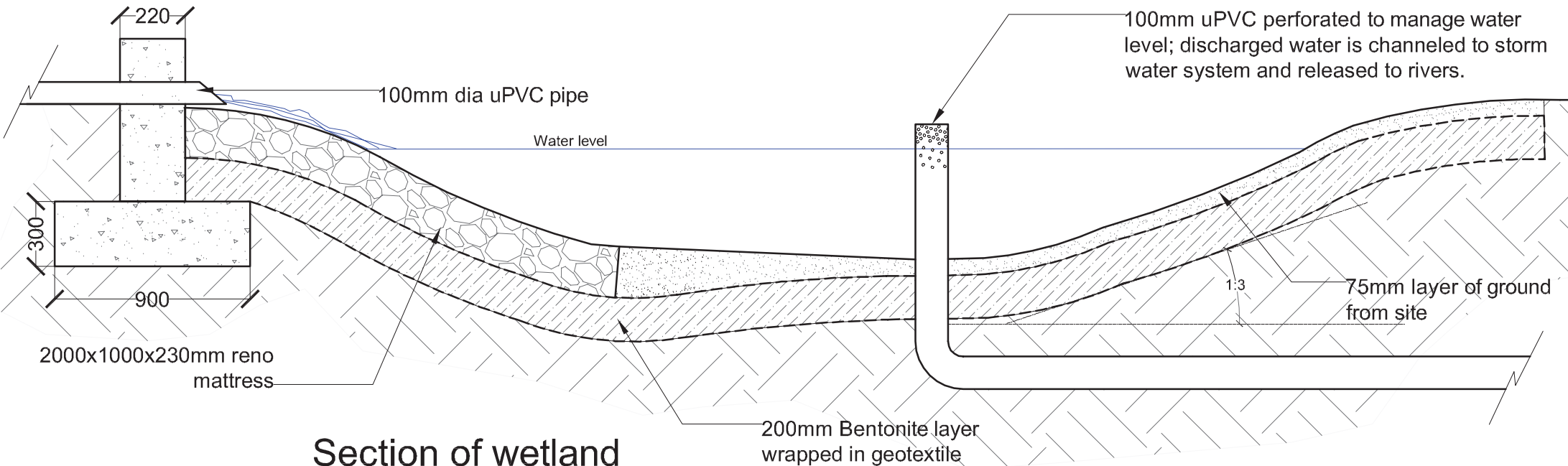


Wetland



Plan of wetland

Scale 1:200



Section of wetland

Scale 1:25

