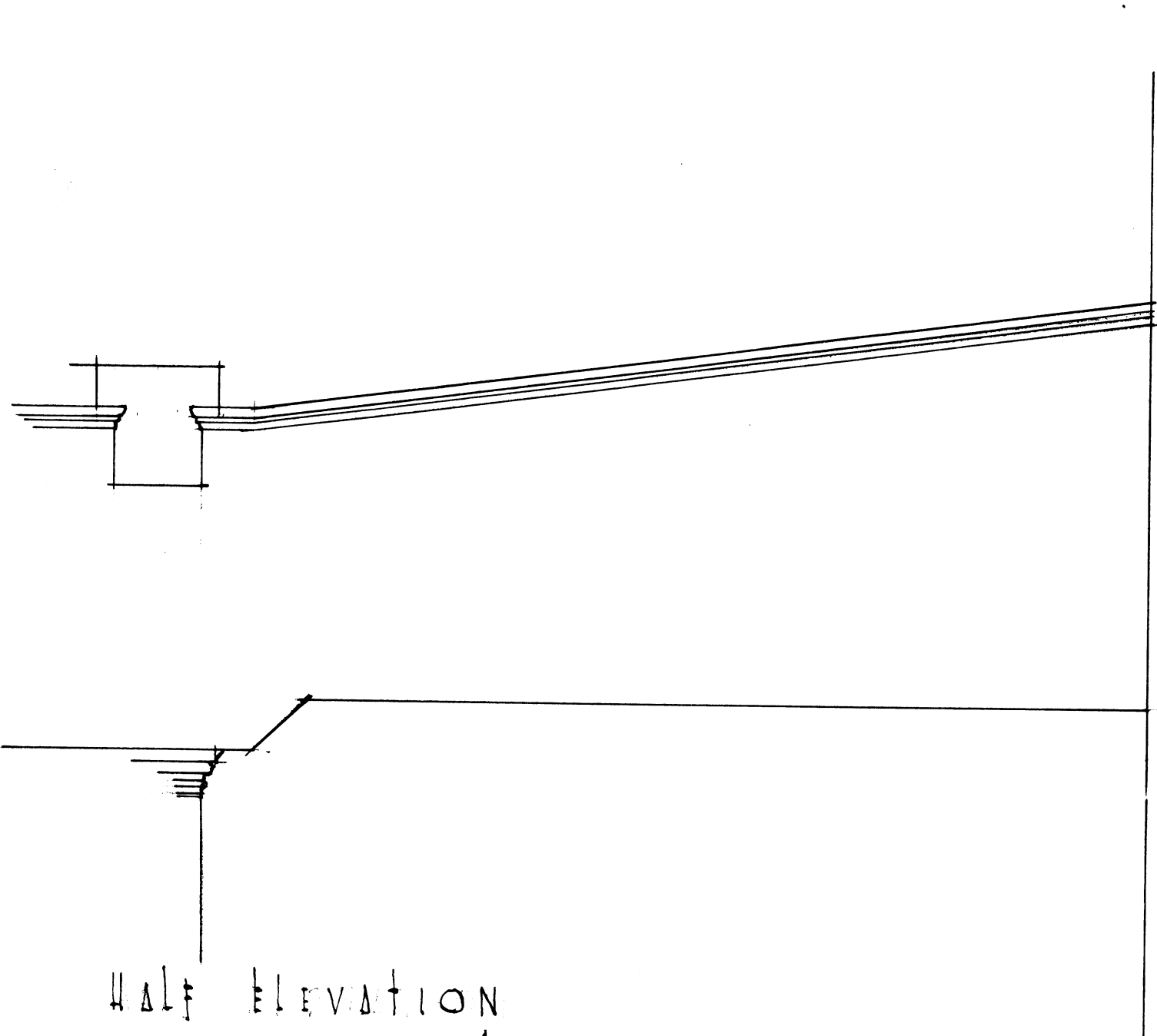
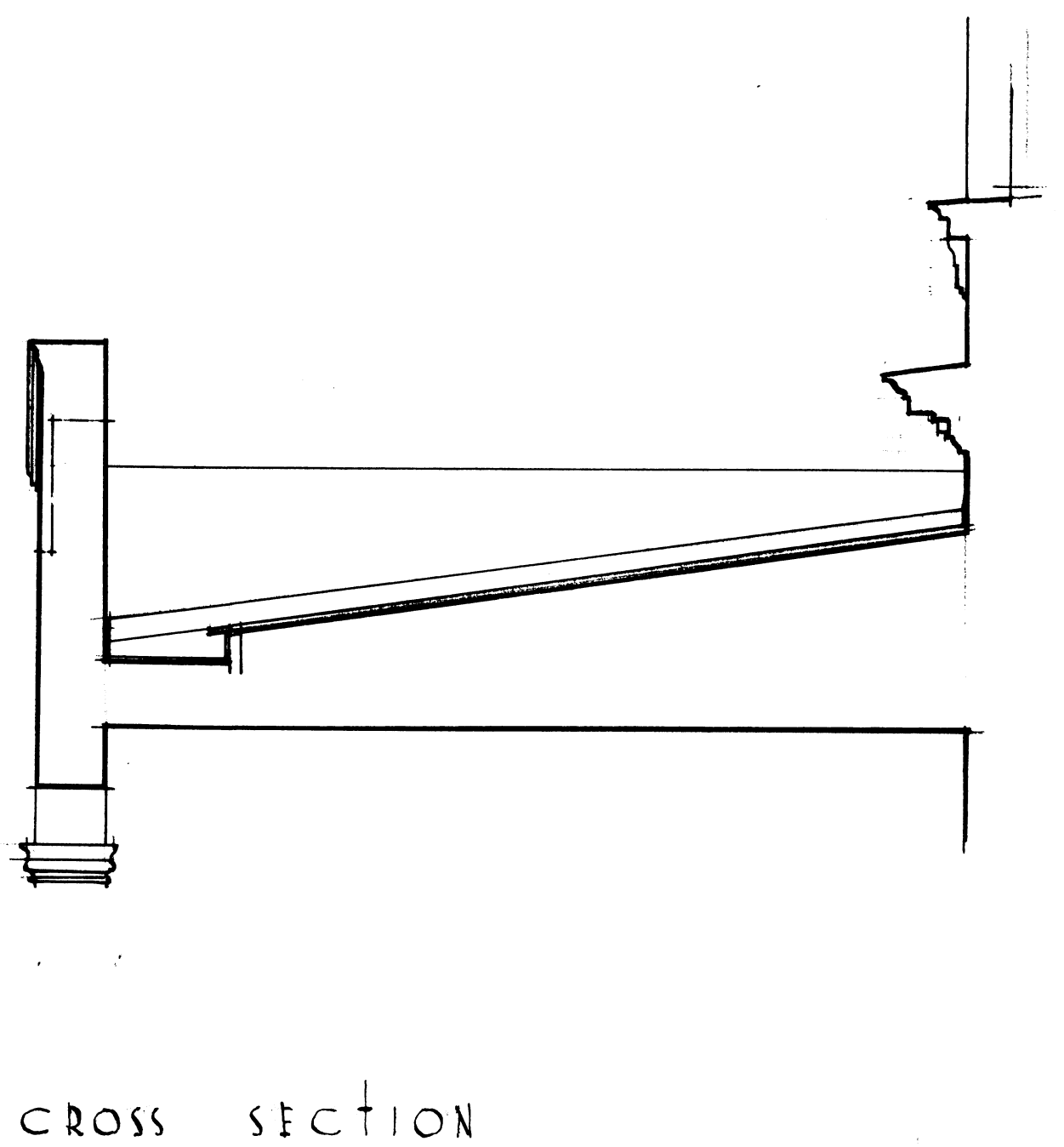


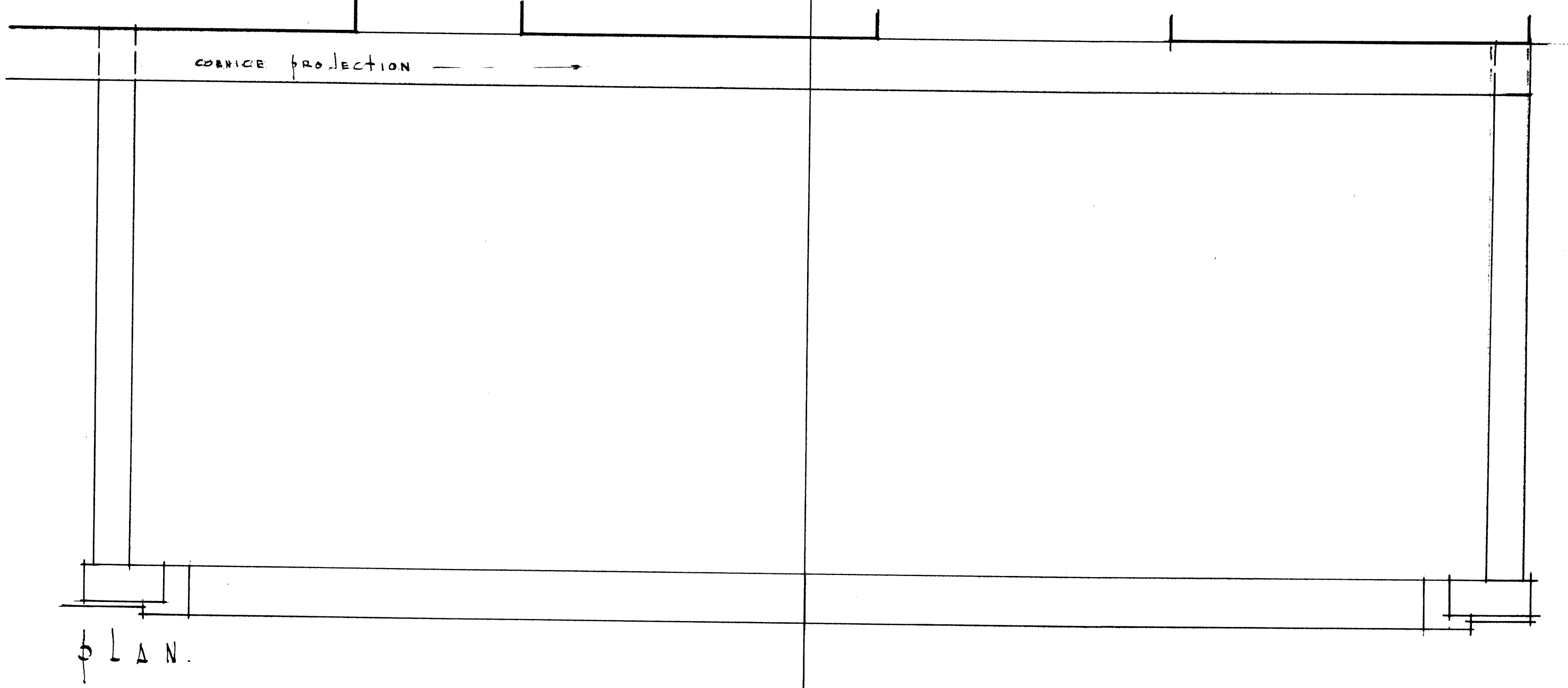
SURVEY DIAGRAM OF VERANDA OVER SHOP OF GLENS PTY LTD.
scale 2 ft to 1 in.



HALF ELEVATION



CROSS SECTION



CORNICHE PROJECTION →

PLAN.

3.42/10A.