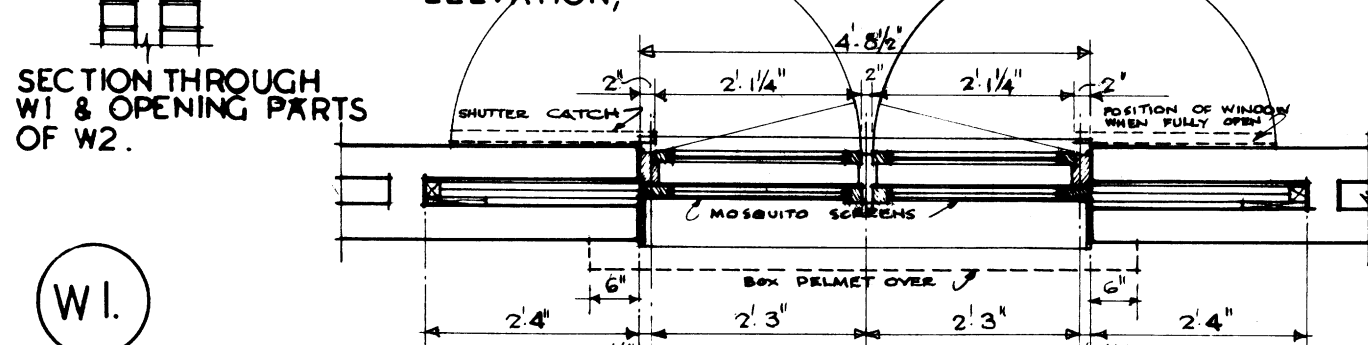
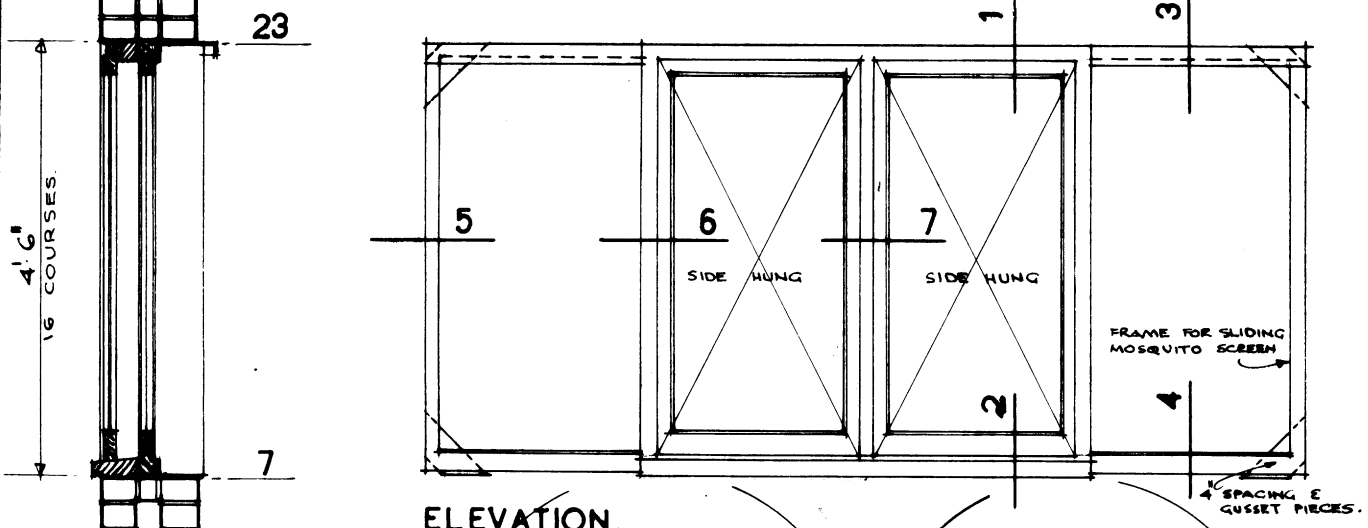
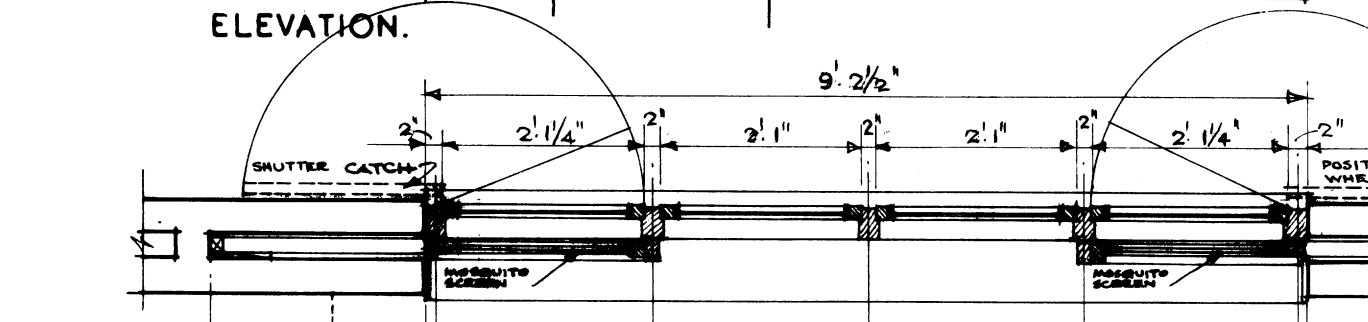
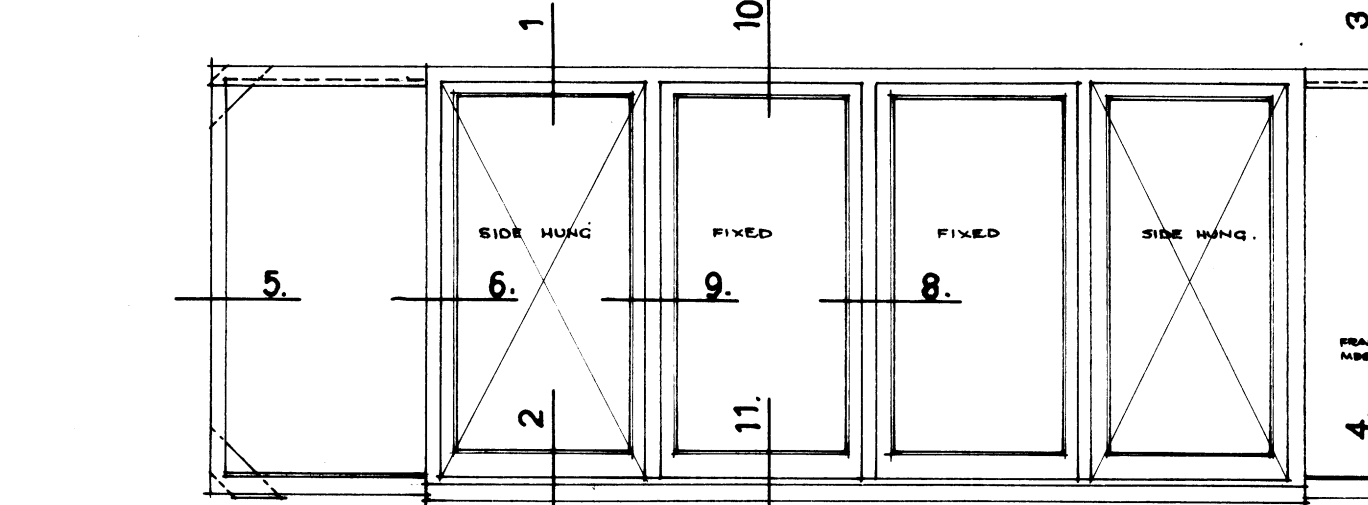


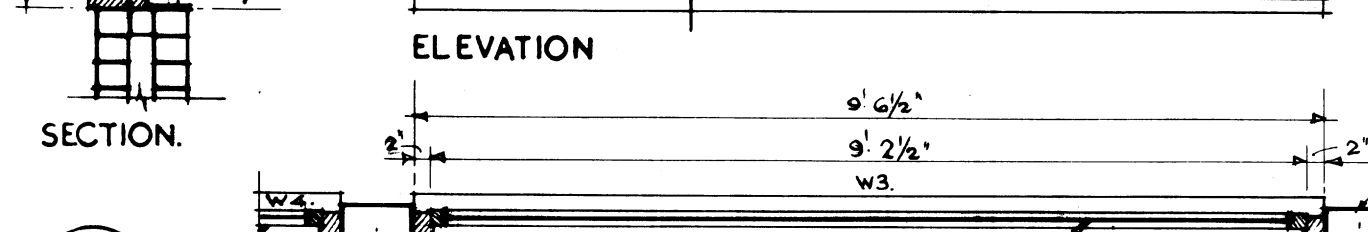
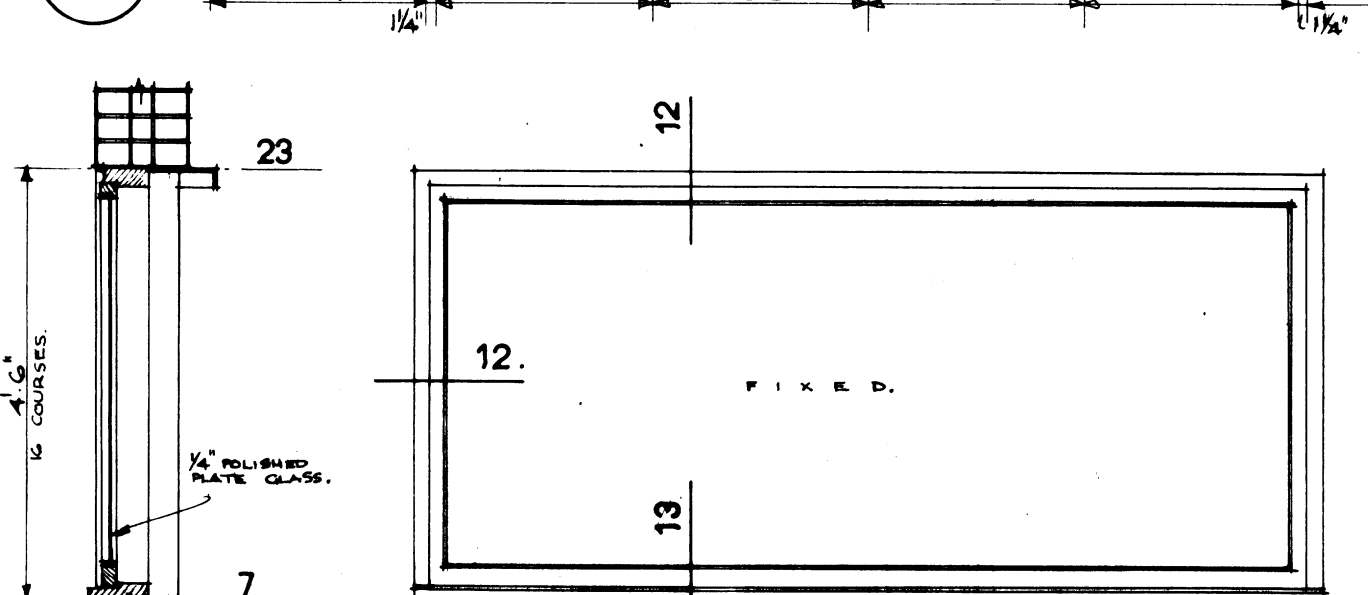
ALL ELEVATIONS SHOWN HEREON ARE EXTERNAL ELEVATIONS.



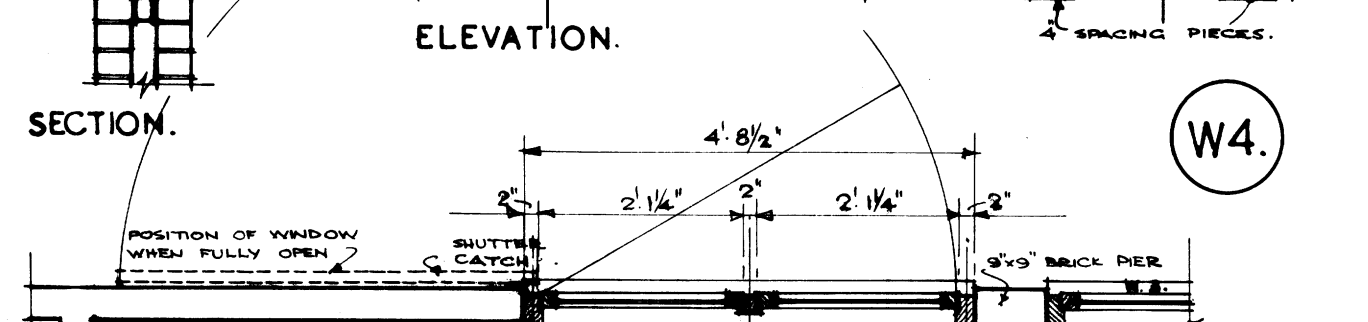
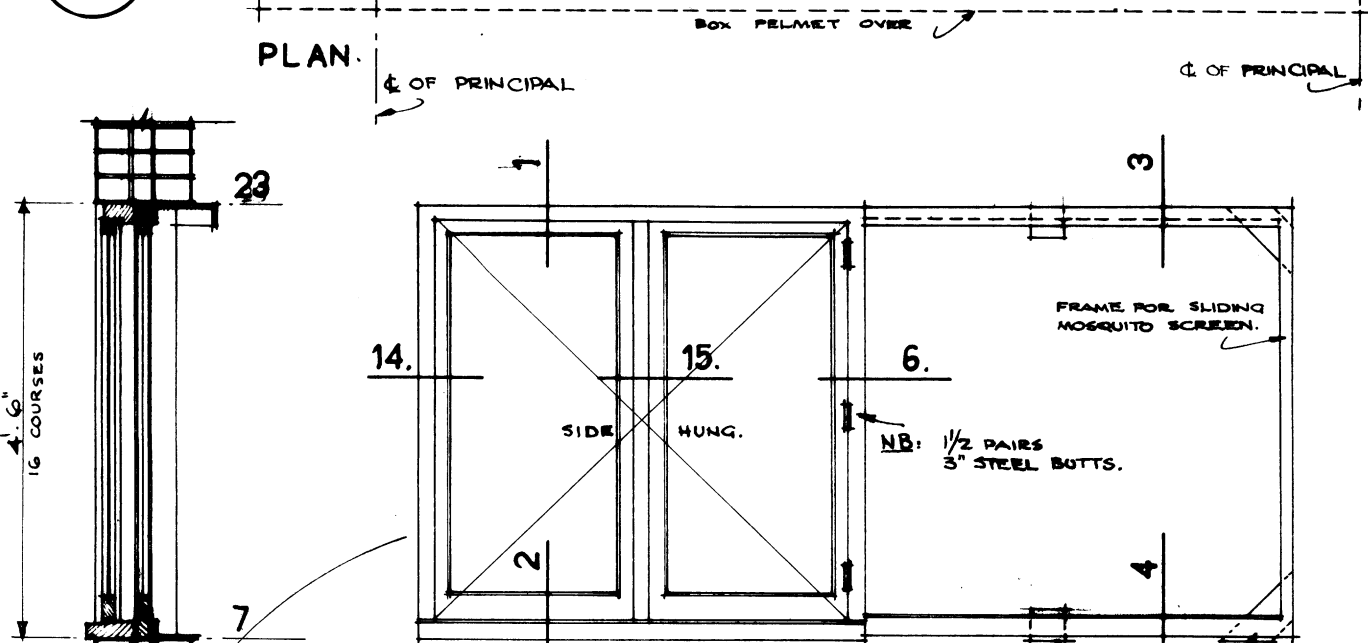
W1. SECTION THROUGH W1 & OPENING PARTS OF W2.



W2. SECTION THROUGH W2.



W3. SECTION THROUGH W3.



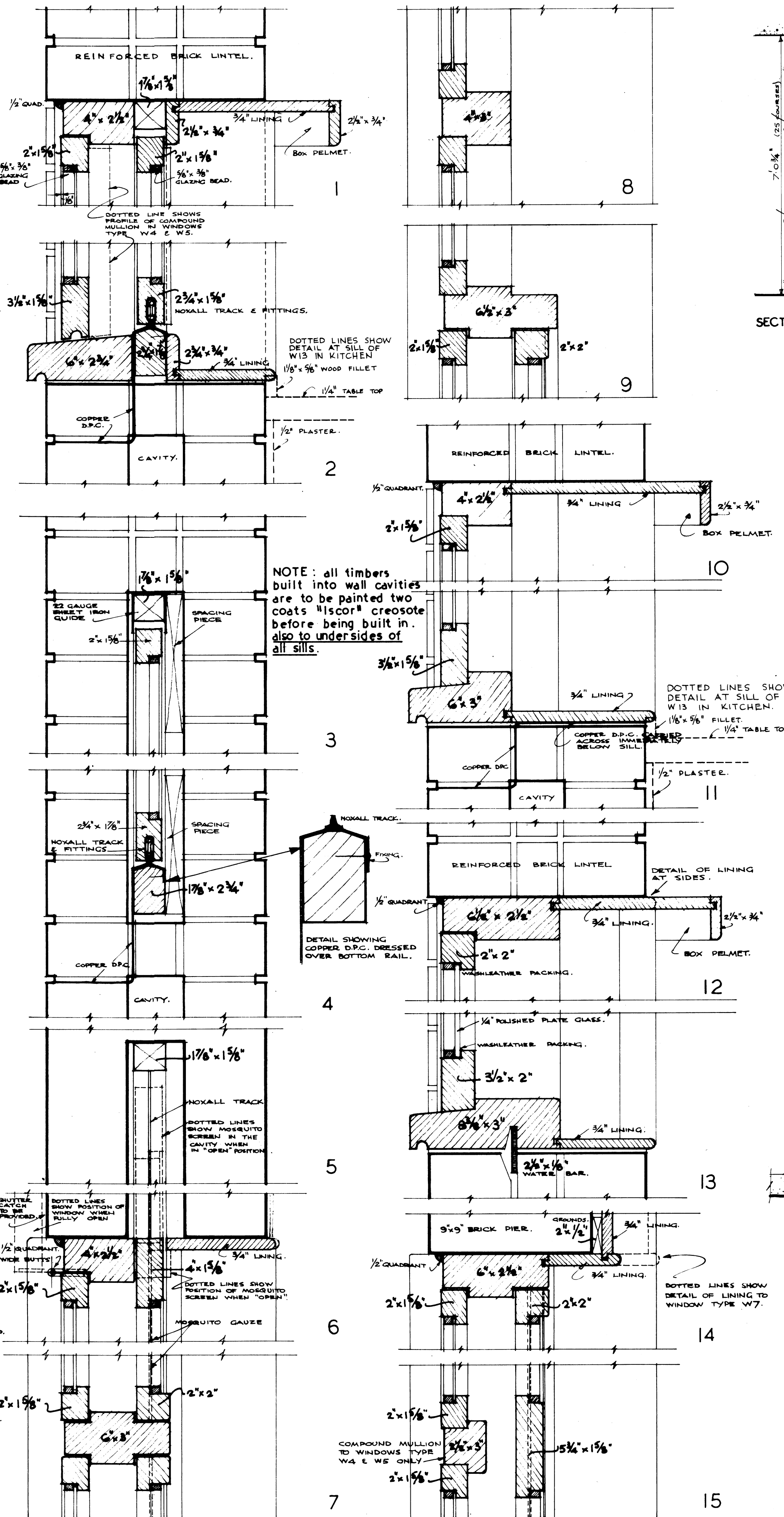
W4. SECTION THROUGH W4.

W5 SIMILAR TO W4 BUT REVERSED.

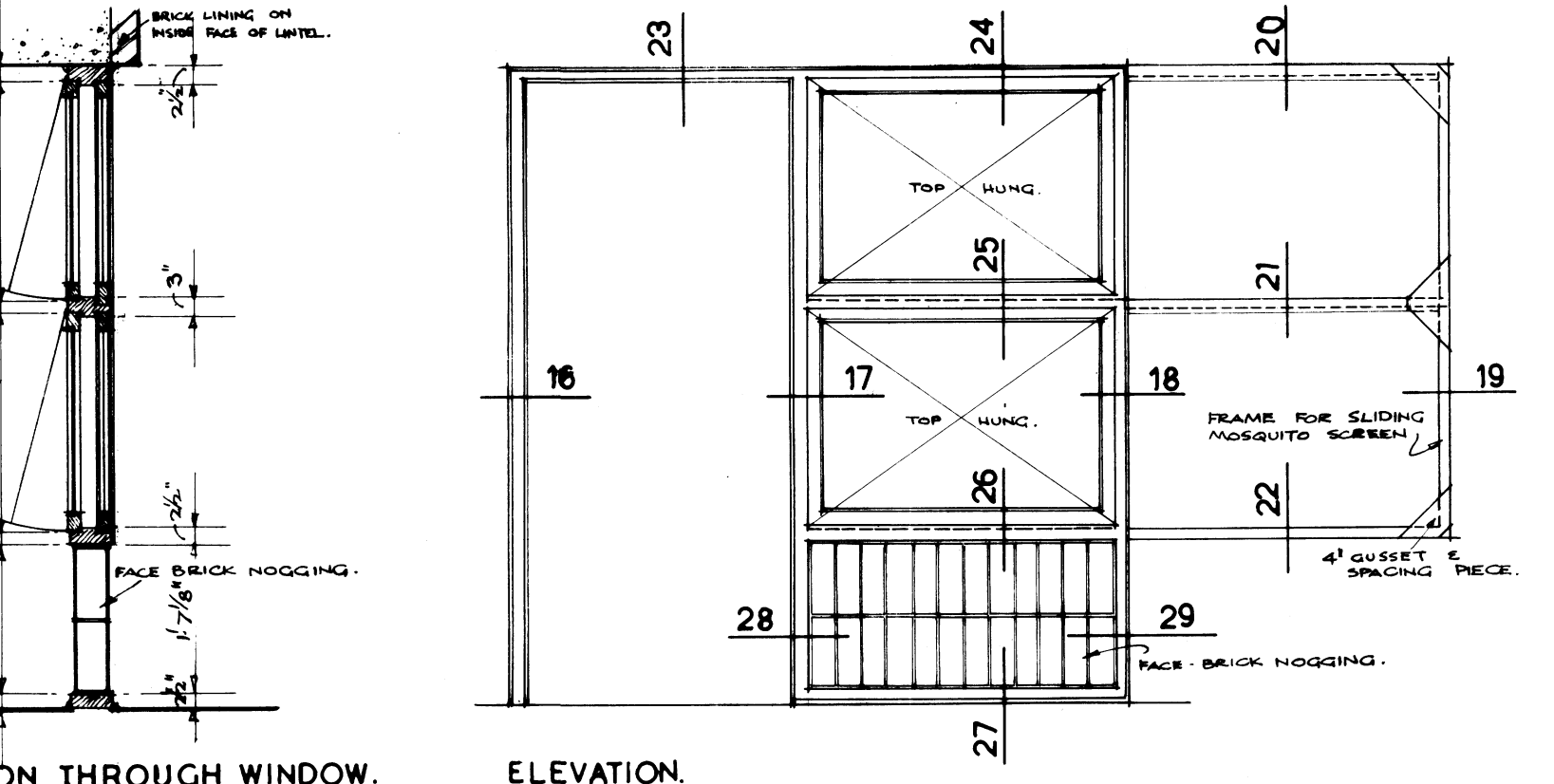
type	no.	position	remarks
W1	5	bedrooms 2, 3, 4, 5 passage	SOFTWOOD PAINTED MOSQUITO SCREENS SLIDING IN NOXALL TRACK. CASEMENT PATTERN AND STAYS SHUTTER CATCH.
W2	1	bedroom no. 1.	SOFTWOOD PAINTED MOSQUITO SCREENS SLIDING IN NOXALL TRACK. 2 PANE 2 SIDE HUNG CASEMENT. CASEMENT PATTERN AND STAYS SHUTTER CATCH.
W3	1	living room.	SINGLE PANE FIXED. 1/2" POLISHED PLATE GLASS. SOFTWOOD PAINTED.

W4	1	living room	SOFTWOOD PAINTED MOSQUITO SCREENS SLIDING IN NOXALL TRACK. CASEMENT PATTERN AND STAYS SHUTTER CATCH.
W5	1	living room	AS W4 BUT REVERSED.
W6	1	entrance hall	IN 2 TOP HUNG CASEMENTS OPENING OUT SOFTWOOD PAINTED. BRICK NOGGING IN LOWER PART. INCLUDES DOOR D1. MOSQUITO SCREENS SLIDING IN NOXALL TRACK. CASEMENT PATTERN AND STAYS.

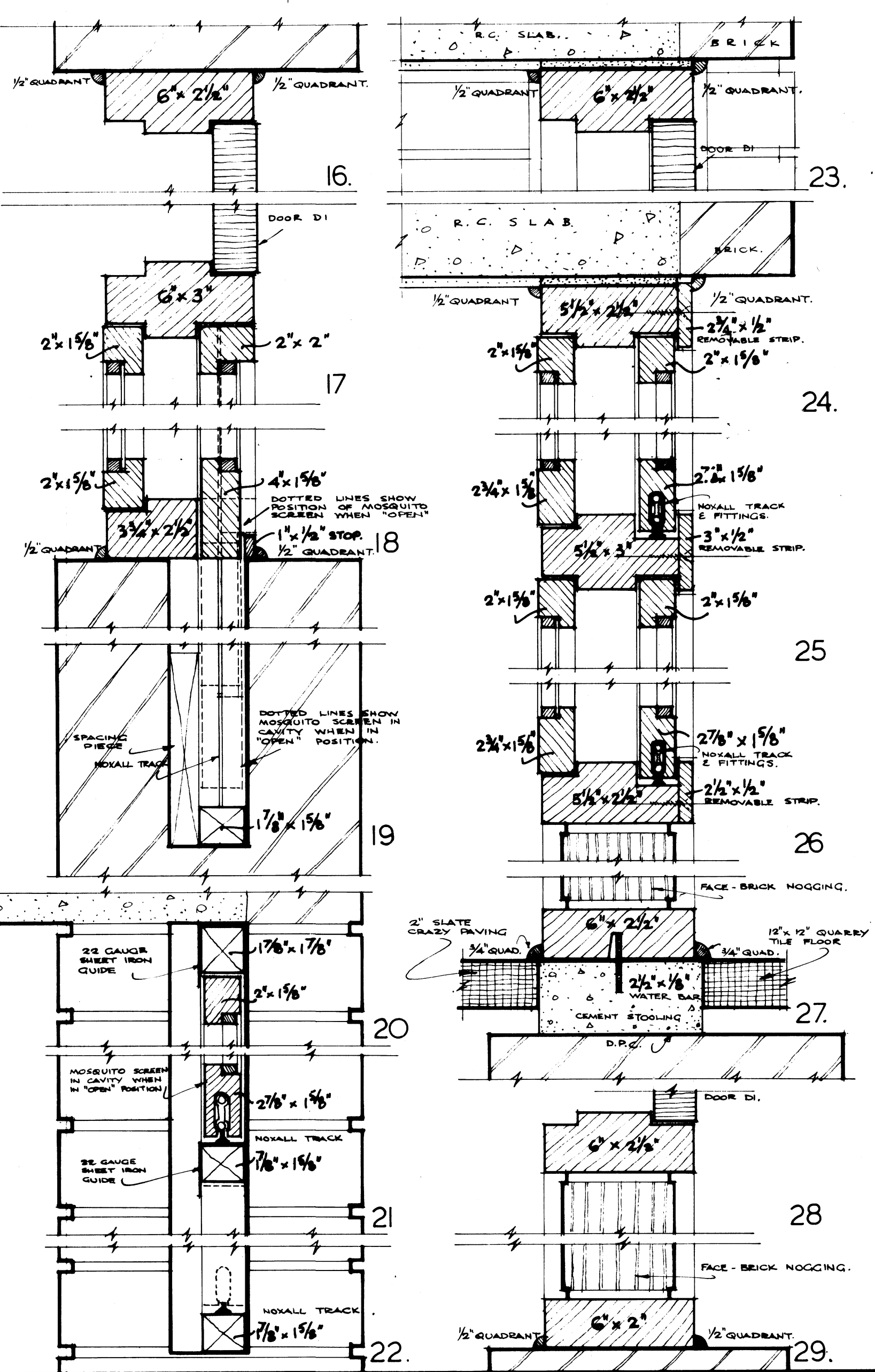
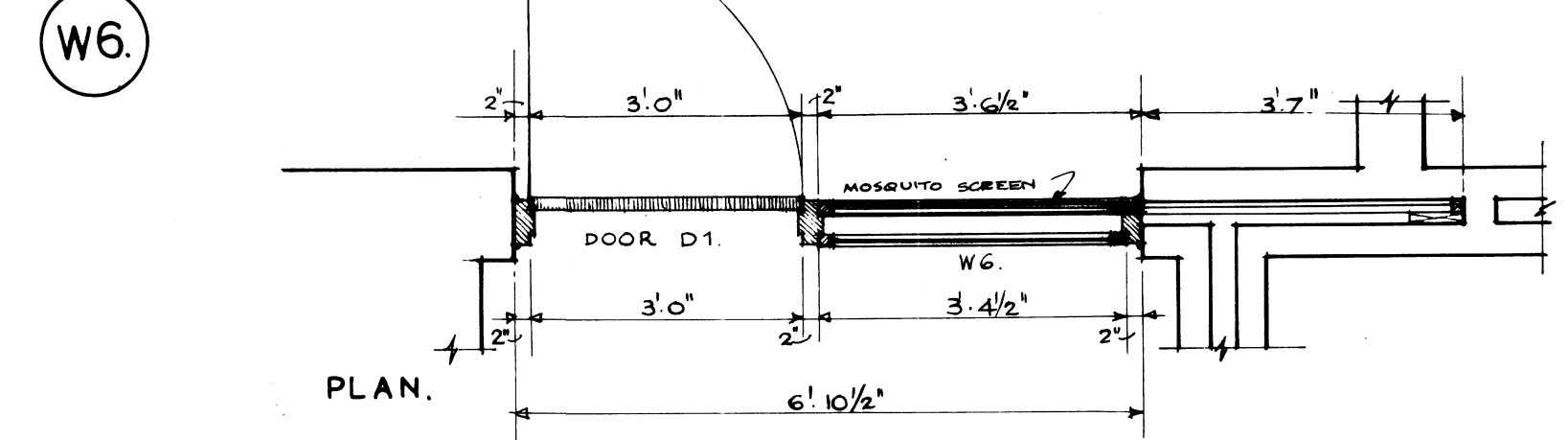
NOTE: TYPE NUMBERS TO BE CLEARLY MARKED ON ALL WINDOWS BEFORE THEY ARE DISPATCHED TO THE SITE.



SLIDING MOSQUITO SCREENS TO BE TESTED & ADJUSTED FOR SMOOTH WORKING BEFORE DISPATCH TO THE SITE.



W6. SECTION THROUGH WINDOW.



NEW COUNTRY HOUSE FOR CONNELL O' C MAGGS, ESQ.
TO BE ERECTED ON THE SOMERSET ESTATES, NEAR NABOOMSPRUIT, TRANSVAAL

WINDOW DETAILS
SEE ALSO DRAWINGS NO P177/11, 12, 13

REVISIONS.
SCALE: 1" = 2'-0", 1/4" F.S.
DATE: 18-4-1945
DRWG NO P. 177/10.

NORMAN EATON
A. R. I. B. A. M. I. A.
CHARTERED ARCHITECT.
VELRA HOLLAND PRETORIA