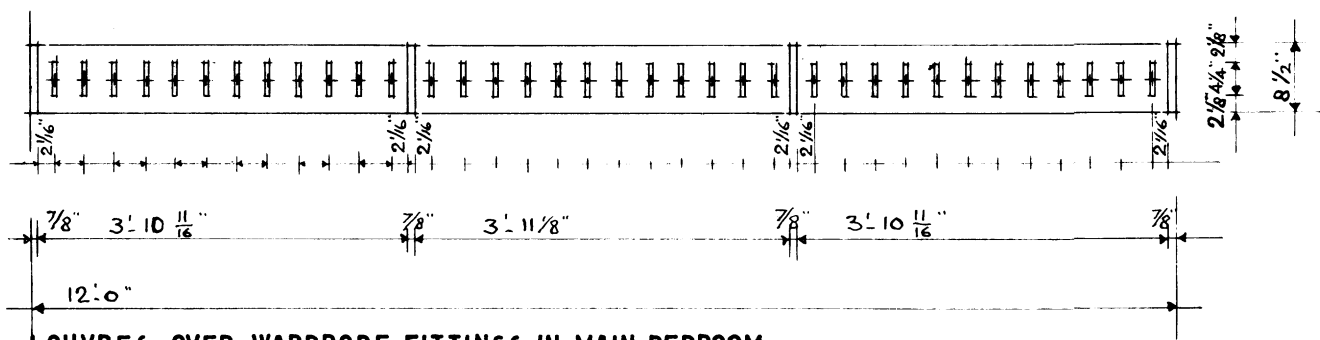
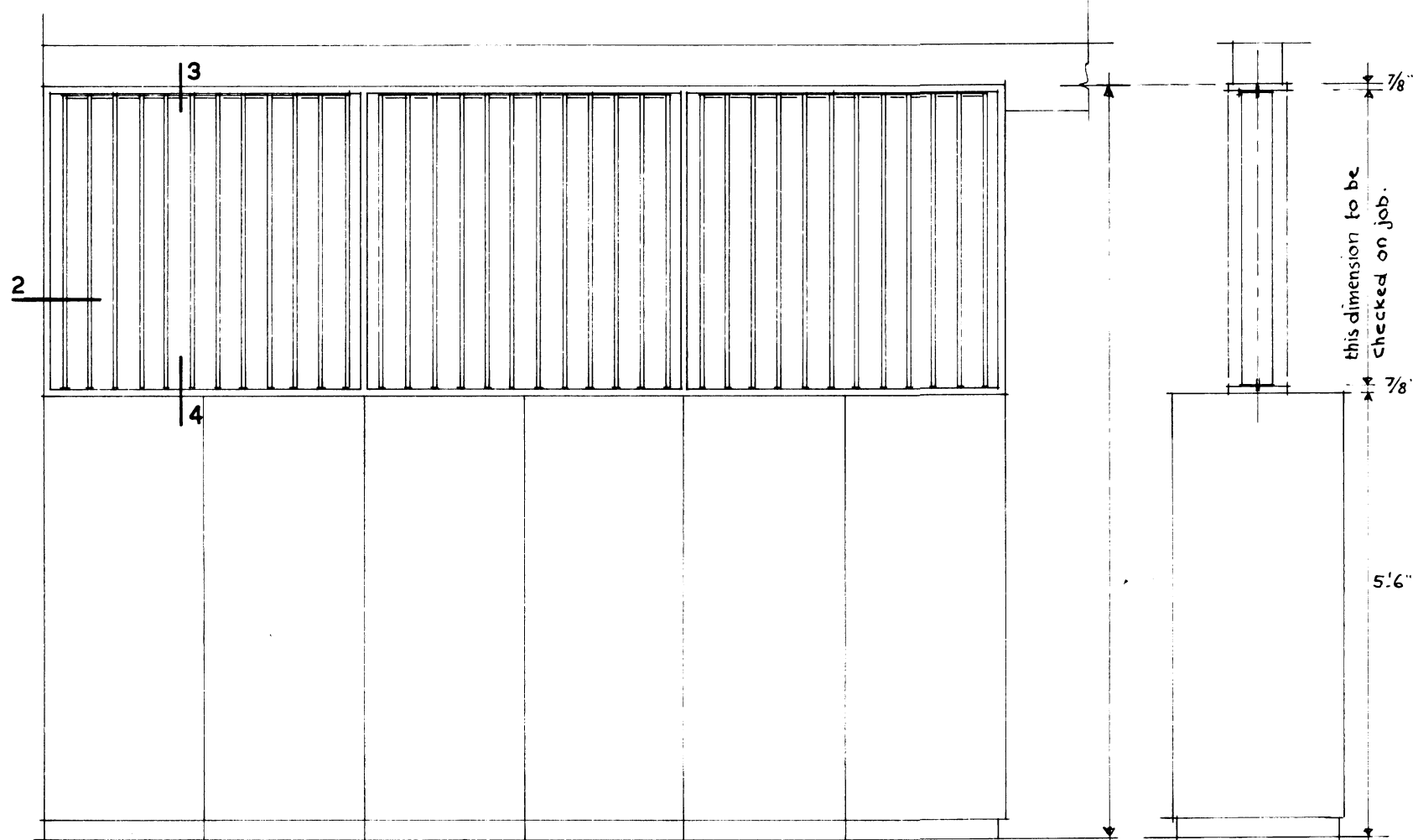
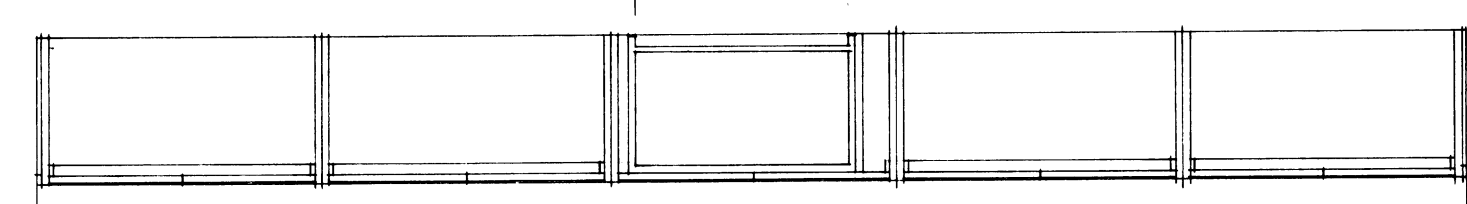
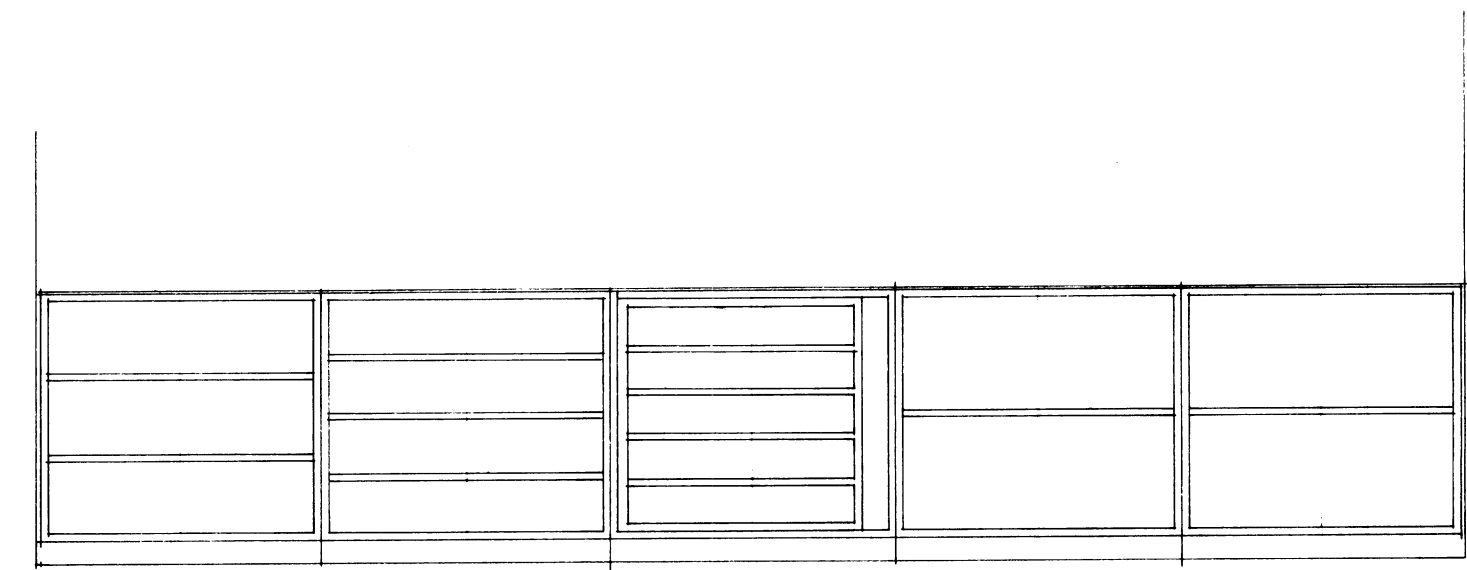


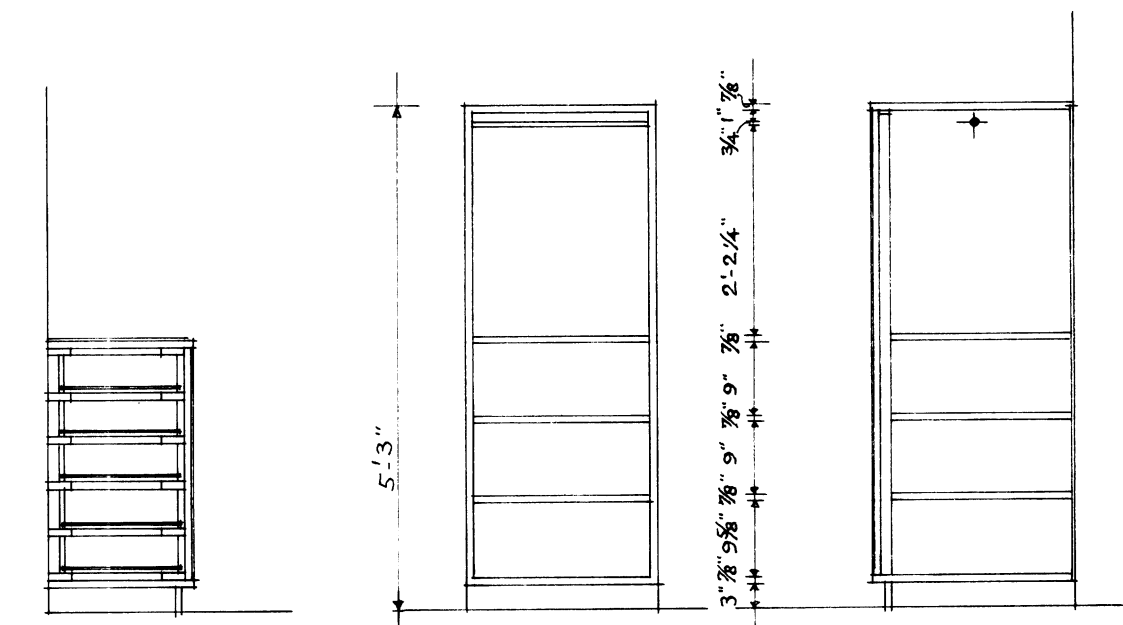
CUPBOARD IN MAIN BATHROOM



LOUVRES OVER WARDROBE FITTINGS IN MAIN BEDROOM

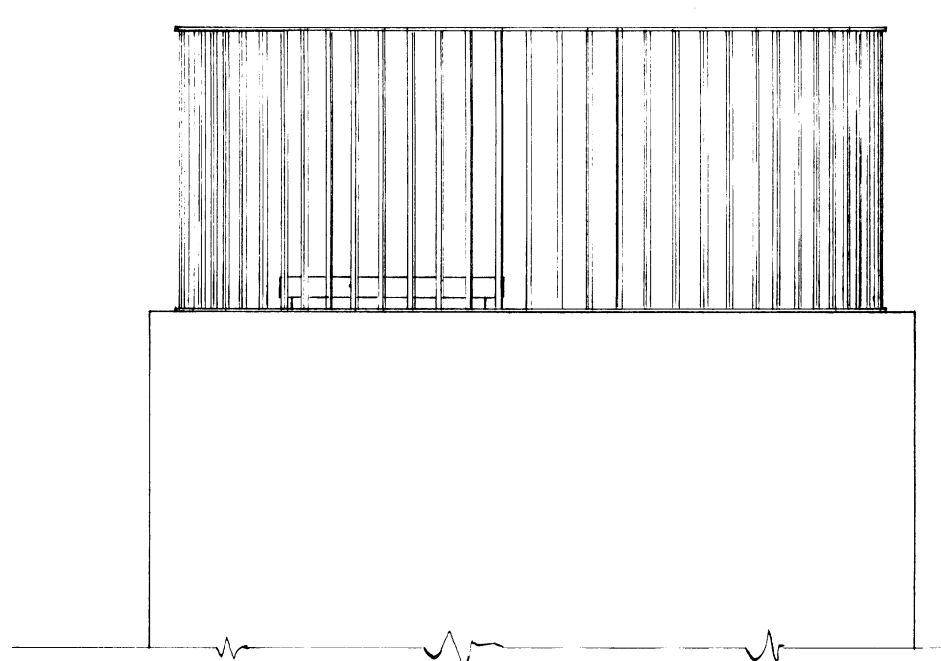


DININGROOM CUPBOARDS

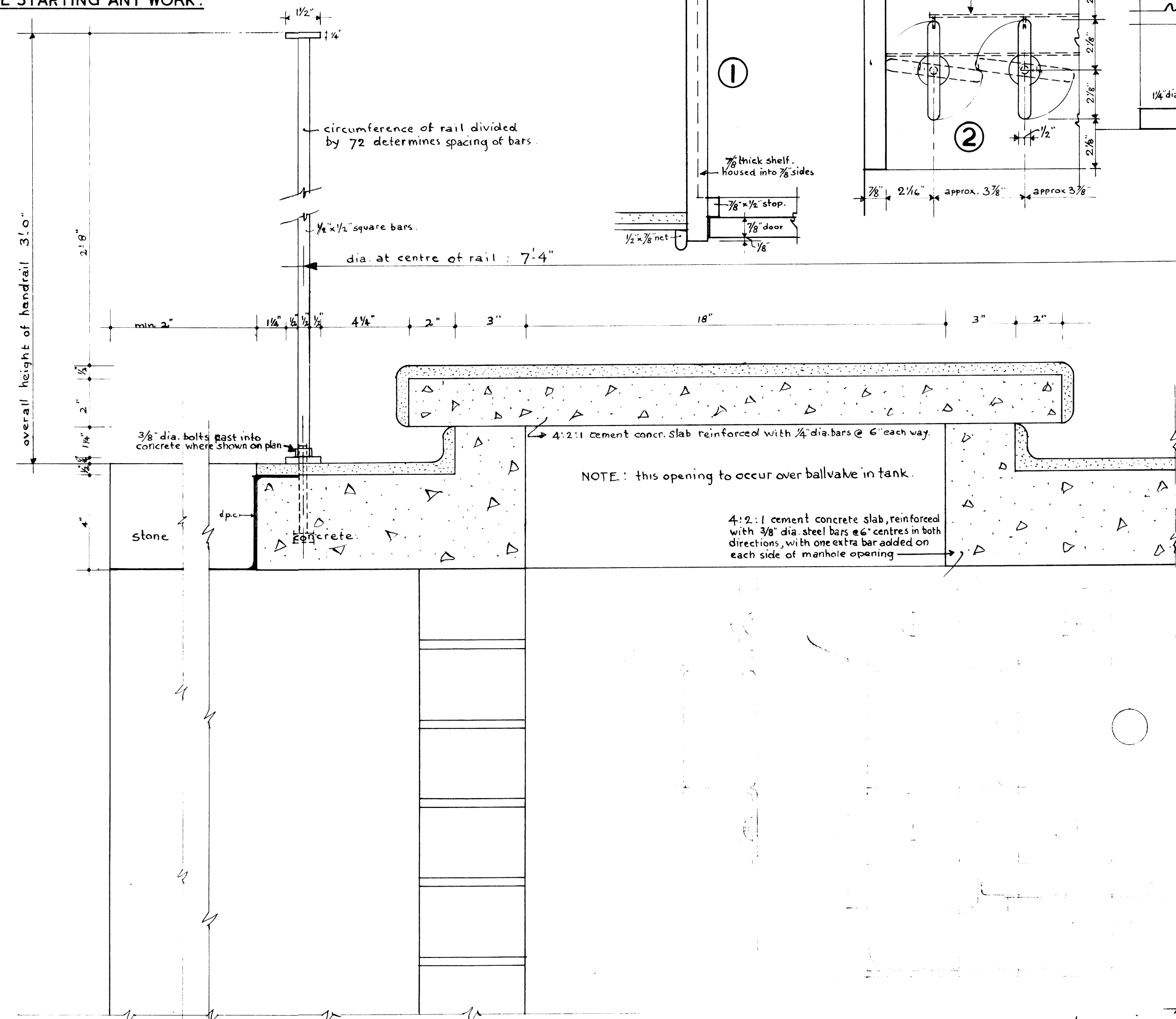


HAT & BLOUSE CUPB. IN MAIN BEDROOM

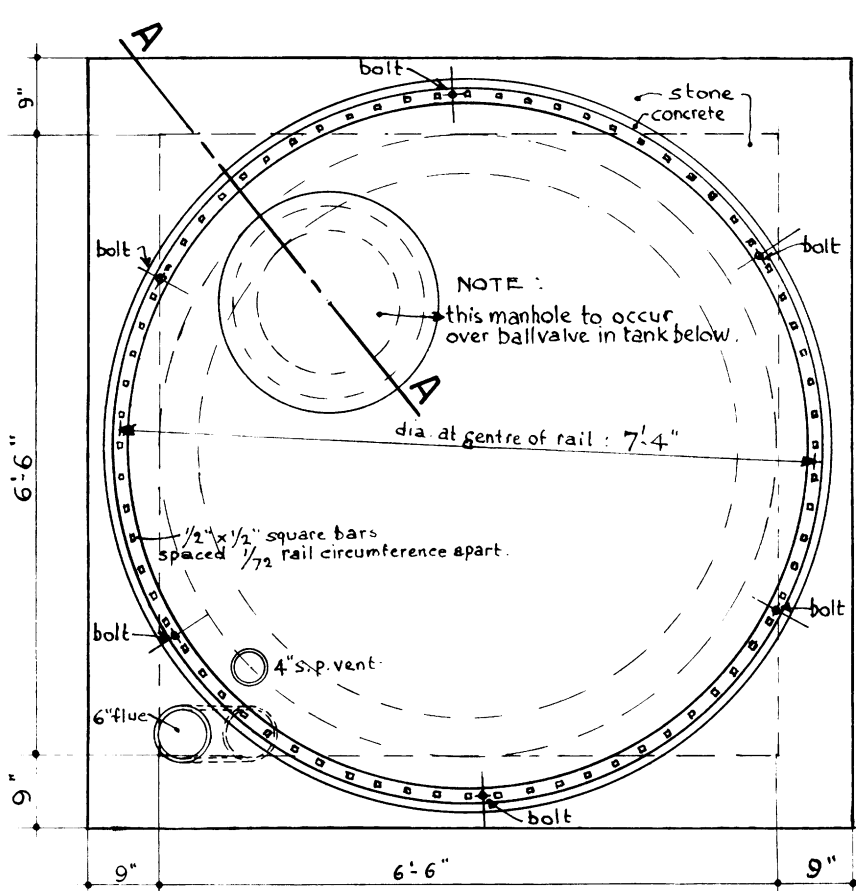
NOTE : CONTRACTORS MUST CHECK ALL DIMENSIONS ON SITE BEFORE STARTING ANY WORK.



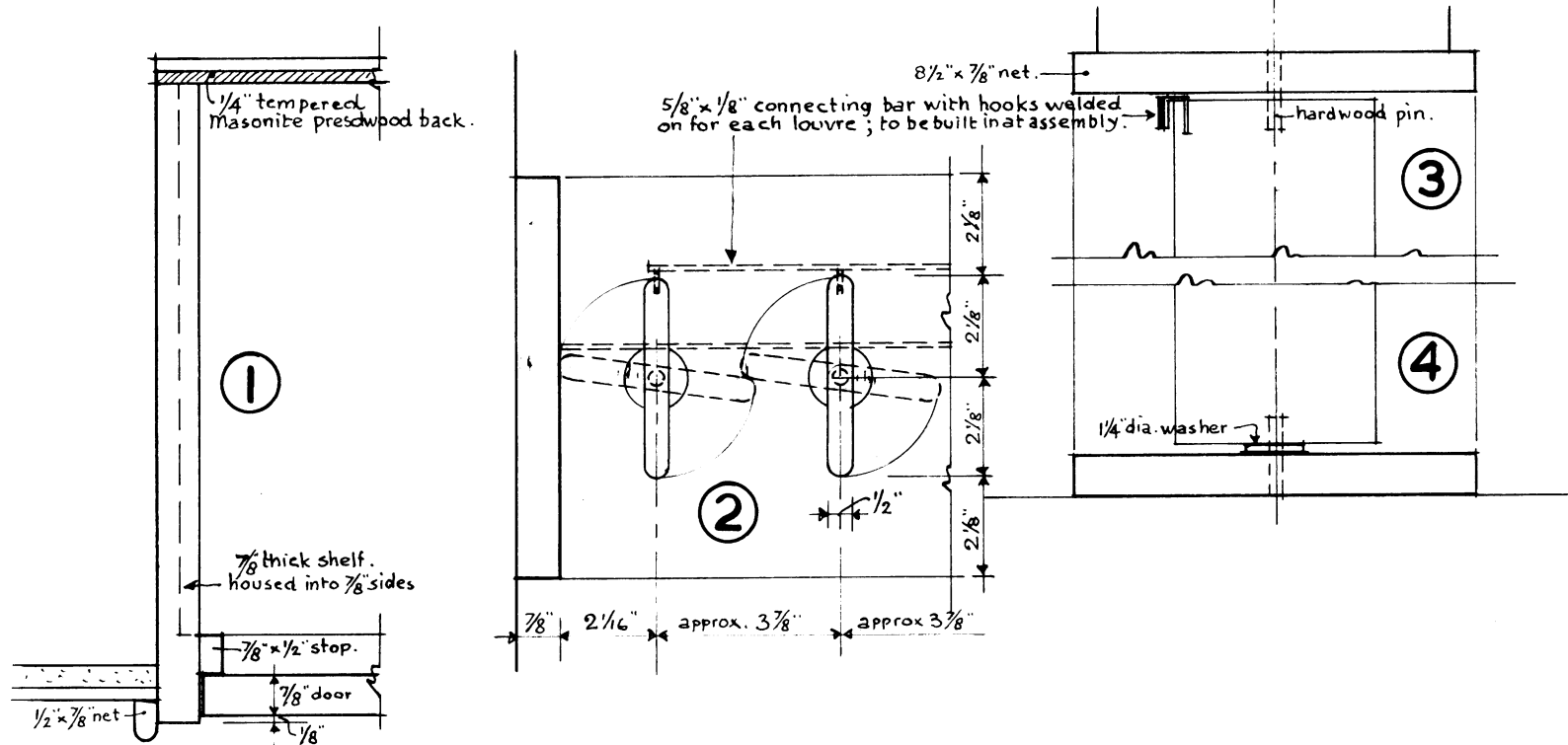
1/2" SCALE ELEVATION OF HANDRAIL



1/4 F.S. SECTION THROUGH HANDRAIL AND MANHOLE IN TANKSLAB



1/2" SCALE PLAN OF TOWER TOP



FULL SIZE DETAIL OF CUPBOARD DOOR CONSTRUCTION

NORMAN EATON A.R.I.B.A. M.I.A.
CHARTERED ARCHITECT
45 VELRA HOUSE PRETORIA

NEW COUNTRY HOUSE TO BE BUILT ON P^{TN} 36 OF THE FARM HARTEBEESTPOORT NR. PRETORIA FOR MR. NORMAN GREENWOOD

SLAB AND W.L. RAIL TO WATERTANK

REVISIONS :

SCALE : 1/2" = 1'-0" & 1/4 F.S.
DATE : 19-6-51
DRWG. : P. 207/32