

# Methods to suppress dust on open pit drill rigs

J.J.L. du Plessis<sup>1</sup> and S.A.J. Potgieter<sup>2</sup>.

<sup>1</sup>Department of Mining Engineering, University of Pretoria, South Africa and <sup>2</sup>Skorpion Zinc Mine, Namibia.

## ABSTRACT

Spotters and samplers working around surface drill rigs can be exposed to high dust concentrations. In this study it was found that individuals were exposed to as much as 14.2 mg/m<sup>3</sup>, which exceeds the Occupational Exposure Level of 10 mg/m<sup>3</sup>. The work on which this paper is based included an extensive literature study, as well as field investigations on a surface mine in Namibia. A number of additional dust suppression interventions were identified. These improvements, listed below, will assist in reducing dust concentrations around the drill rigs:

- Increase maintenance frequency on the shroud, sealing ring, suction pipes and filters of the drill rigs,
- Design and install new overlapping rubber belts on the shroud of the DM45,
- Install an air-blocking shelf on the inside perimeter of the shroud of the DM45,
- Install an airflow meter to ensure that the QC: QB ratio never drops below 3:1,
- Only allow wet drilling,
- Flush the dust collector system more regularly with compressed air to ensure that it does not become blocked,
- Introduce stricter supervision to ensure that the suction pipes are always connected to the shroud,
- Give drill rig operators more advanced training to ensure more effective drilling in order to reduce dust levels.

It can be concluded that the implementation of the recommended improvements in engineering controls, better maintenance practices and better operating practices will assist in preventing any potential respiratory diseases and the degradation of the surrounding environment.

*Keywords:* dust, suppression, open pit drill rigs, exposure, control.

## INTRODUCTION

The study was conducted on a mine mine that uses drilling and blasting mining operations to break the rock. Loading and hauling then follows with a monthly production of 1.6 million tonnes (Mt). The pit is currently 160 m deep, 1200 m long and 900 m wide and will eventually reach a final depth of 310 m. A bench height of 10 m is being utilised.

The mine's target is to drill 147 holes per day, which equates to a total of 1613 m per day. This target is achieved by employing the following drilling fleet:

- Three Atlas CopCo Roc-L8 with down-the-hole hammers, and

- One DM45 drill rig with a rotary tri-cone drill bit.

Excessive amounts of dust in or around the pit were reported by the blasting, geology, surveying and maintenance crews that work next to the blocks being drilled. The drill spotters and grade control operators working in the vicinity of the drilling area are, however, the most susceptible to the dust exposure, leading to potential respiratory diseases.

Although the drill rigs have dust suppression systems in place, the correct utilisation and maintenance of these systems are often under-utilised due to production pressures.

An additional four drill rigs will arrive in the near future to the mine. The introduction of the new drill rigs will contribute to even higher dust levels in or around the open pit. To improve conditions around the drill rigs and reduce the potential exposure of workers it is important to determine the deficiencies of the dust suppression systems currently installed on the drill rigs. It is also important to determine the shortcomings in maintenance and operating procedures.

## DUST FORMATION MECHANISM

The drilling process is achieved by a combination of rotation, thrust, indexing and percussion of the drill bit (Kahraman, Bilginand and Feridunoglu, 2003). All these forces allow the rock to be chipped and grinded at the contact between the drill bit and the rock. This is the site where dust is created and the bailing air carries these drill chippings and dust particles out of the hole and into the atmosphere. It is of vital importance to control the dust that escapes the drill collar to reduce the amount of dust escaping into the atmosphere.

## SUPPRESSION OF DRILLING DUST

If not properly controlled, drilling operations may expose drill operators, drill helpers / spotters, and grade control operators to large amounts of respirable dust. Controlling dust at the drill rigs can be achieved using a wet suppression system and / or a dry suppression system.

## WET DRILLING DUST SUPPRESSION

The wet suppression system works by introducing water into the bailing air that is sent down the drill stem. The water then mixes with the dust and drill chippings at the bottom of the drill hole where the dust is liberated. This allows the dust particles and drill chippings to stick to each other, making them less airborne as they are bailed out of the drill collar. Other than dust suppression, the advantage of using water in percussion drilling is an improvement in the penetration rate of drilling (Cecala et al., 2012).

According to Page (1987) (in Cecala et al., 2012), tests have shown that wet drilling can reduce dust levels up to 96%. It is, however, critical that the drill operator ensure that the water flow

rate entering the bailing air is correct. Cecala (2012) stated that the flow rate can range from 3.8 to 7.6 L/min depending on the type of drill rig, the geology and the moisture content of the rock being drilled. At some sites it was found that the dust suppression efficiency could be increased by increasing the water flow rate from 0.8 to 2.3 L/min. However, when a flow rate of 3.8 L/min was reached, operational problems were encountered. This was due to the drill chippings becoming too heavy to be removed by the bailing air; they started to plug the drill bit and bind the drill stem (Cecala et al., 2012). It is therefore required that the drill operator adjust the water flow rate until the maximum amount of dust is being suppressed without encountering operational problems with too much water.

There are, however, disadvantages to using water with rotary drilling. According to Cecala (Cecala et al., 2012), water can reduce the life of tri-cone roller bits by 50% or more. This deterioration of the drill bits can be prevented by using a water separator sub. The sub is connected between the drill bit and the following drill stem, and separates the water from the bailing air. This is achieved by forcing the bailing air through sharp turns where the water separates from the air due to the inertia of the water being higher than that of the air. The compressed air then continues to the drill bit without containing water. When the water has built up to a certain level in the water reservoir, it escapes the water separator sub through the weep holes directly into the annulus above the drill bit. The water then mixes with the drill chippings and dust particles as it moves up the annulus. This prevents the water from moving through the drill bit and over the surface where the actual drilling action takes place. This is illustrated in Figure 1. It was noted that (Cecala et al., 2012) that dust reduction was improved from 96 to 98% when a water separator sub was introduced.

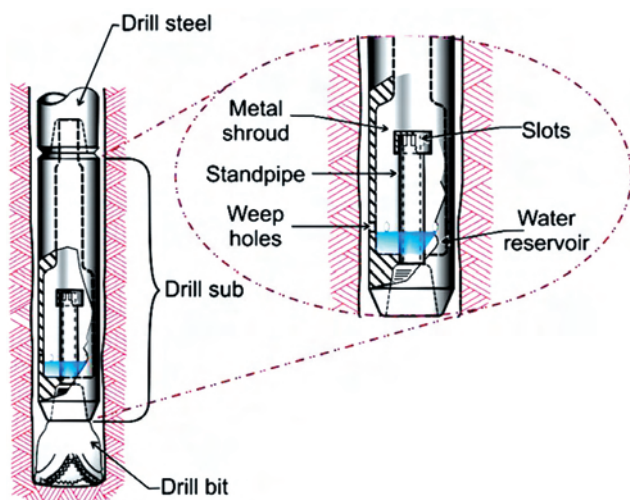


Figure 1. Water separator sub (Cecala et al., 2012)

## DRY DRILLING DUST SUPPRESSION

Dry drilling dust control systems can be up to 99% efficient if properly maintained (Cecala et al., 2012). Dust particles and drill chippings escape from the drill collar with the aid of the bailing air and are contained within the drill deck and shroud. The dust collector system establishes a negative pressure within the shroud and draws the dust particles into the dust collector system. The

dust collector system is composed of the fan exhaust, which creates the negative pressure, and the filters, which separate the dust from the air. Most filtering systems are self-cleaning. They use regular pulses of compressed air to remove the dust from the filter surface, and allow the dust to drop through the bottom of the collector and onto the ground. An additional cyclone may also be installed between the drill deck and the filters.

In order to maintain an adequate negative pressure inside the shroud it is important to have the correct drill deck and shroud design. Most shrouds are rectangular in design with four separate rubber belts suspended from the drill deck. Leakages often occur at these corners. It is therefore necessary to install angle-shaped corner flaps at these corners to create an overlap with the suspended rubber belts. Another solution is to make use of a single rubber belt installed along the perimeter of the drill deck.

A modification that can be made to the shroud design is to introduce an air-blocking shelf. This is composed of a 150 mm wide shelf installed along the inside perimeter of the shroud. An air-blocking shelf is shown in Figure 2.

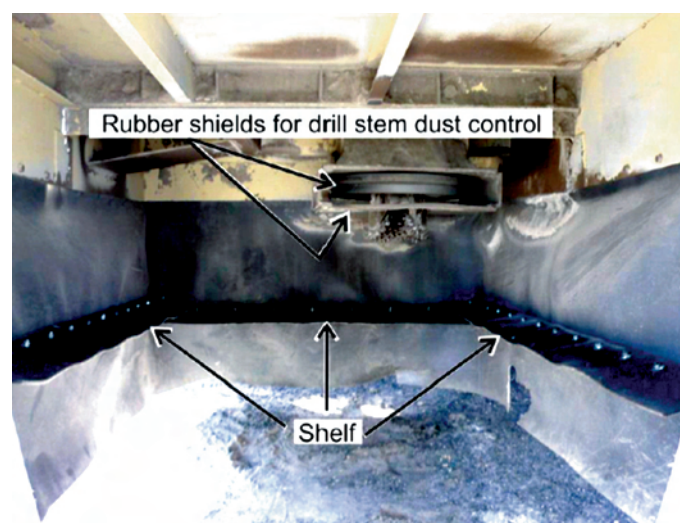


Figure 2. Air-blocking shelf installed along the inside perimeter of the shroud (Cecala et al., 2012)

According to Potts and Reed (2008) and Reed and Potts (2009) (in Cecala et al., 2012), the bailing air containing the dust particles moves out of the drill collar along the drill stem until it hits the drill deck and disperses sideways due to the Coanda effect. The air then moves down the shroud walls and eventually strikes the ground, where the dust can escape to the atmosphere through the shroud gap. By installing an air-blocking shelf, the flow of air within the shroud is circulated within the top half of the shroud, giving the exhaust fan enough time to extract the dust. This reduces the possibility of the dust escaping through the gap below the shroud. The flow of air in the shroud and the effect of the air-blocking shelf can be seen in Figure 3. It was reported by Potts and Reed (2010) (in Cecala et al., 2012) that dust levels were reduced to between 66 and 81% after an air-blocking shelf had been installed. It should be noted that the air-blocking shelf becomes less effective when there is very little dust emission in the first place before the shelf is installed.

An additional indicator to determine the performance of the dust collector system is the ratio of its collector to the bailing airflow

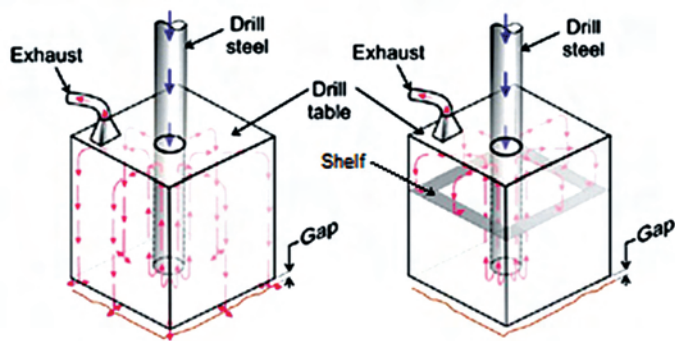


Figure 3. Airflow model within the shroud without and with the air-blocking shelf (Cecala et al., 2012)

(Cecala et al., 2012). This can be expressed as QC:QB, where QC is the volumetric flow rate of the dust collector fan and QB is the volumetric flow rate of the bailing air that escapes out of the drill collar. Normal operating drills usually have ratios of 2:1 and this can be even as high as 3:1. In some instances, due to poor maintenance, incorrect compressor settings, etc., the ratio may even drop below 1:1, rendering the dust collector system completely ineffective. It can be seen from Figure 4 that an increase in this ratio reduces the dust concentration, making the dust collector system more effective.

It should also be noted from Figure 4 that a decrease in the gap between the bottom of the shroud and the ground will also reduce the dust concentration, thereby increasing the effectiveness of the dust collector system.

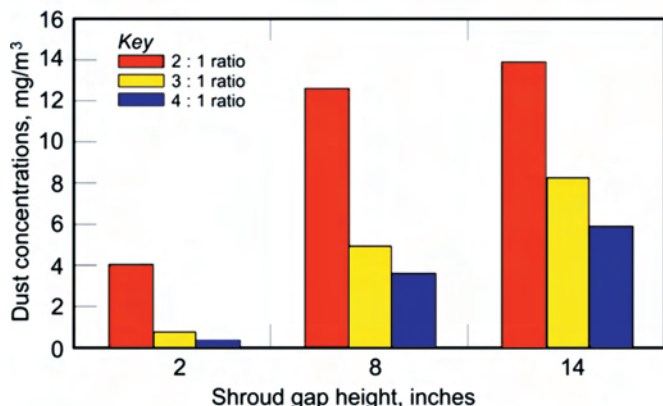


Figure 4. Effect of different shroud gap heights at various dust collectors to bailing air ratios (Cecala et al., 2012)

According to Maksimovic and Page (1985) (in Cecala et al., 2012), the dust that drops from the collector dump cyclone / filter may account for up to 40% of the respirable dust emissions of a drill rig. The bottom of the dust collector dump point (cyclone / filter underflow) is on average between 60 and 90 cm from the ground. At that height the respirable dust escapes into the atmosphere when it falls through the air and when it hits the ground. It is therefore, necessary to install a brattice cloth on the underflow of the cyclone / filter with the aid of large hose clamp. This allows most of the dust particles to settle onto the dump pile. According to Reed et al., (2004) (in Cecala et al., 2012), the installation of this brattice can reduce the respirable dust level into between 63 and 88%. The efficiency is, however, dependent on

wind speed and direction. The advantage of this brattice is that it is inexpensive and quick to install.

## DRILLING RESULTS AND DISCUSSIONS

Dust pumps with pre-weighed filters (NIOSH sampling method 0500) (Clere and Hearl, 1994) were used to test dust concentrations in various stationary working areas (environmental samples) and on various personnel while working. It can be seen from Table 1 that two of the spotters and samplers around the drill rigs were exposed to dust concentrations above the OEL (10 mg/m<sup>3</sup>) (Government Gazette of the Republic of Namibia (Act 6 of 1992)). This is a major concern as these employees may contract respiratory diseases.

Table 1. Dust sampling results

Location/ Activity	Type of test	Results (mg/m <sup>3</sup> )
Spotters & samplers	Personnel	14.1
Spotters & samplers	Personnel	5.66
DR 04 drilling	Environmental	8.32
Roc-L8	Environmental	3.04
Roc-L8	Personnel	0.21
Geology pit area	Environmental	0.39
Drill rig training	Personnel	1.62
Spotters & samplers	Personnel	4.31
Spotting at DR-02	Personnel	14.2
DR-02	Environmental	2.52

## DM45 DRILL RIG

It was observed that large amounts of dust escaped from the bush that acts as a sealing ring where the drill stem enters the drill deck (see Figure 5). After investigation it was revealed that the escaping dust was a result of poor maintenance. It must be emphasised that it is necessary to replace the sealing ring more regularly by following the correct installation procedures.

It can be seen from Figure 6 that there are separate rubber belts hanging from the drill deck with open slits between them. Holes and cuts were also present in these hanging rubber belts.



Figure 5. Dust escaping the sealing ring where the drill stem enters the drill deck

Additional open slits were also present at the corners of the shroud. All these slits, voids and holes cause the vacuum pressure to drop within the shroud, causing the dust to escape through these openings and into the atmosphere. It is therefore recommended that new rubber belts that overlap each other be installed, as well as angled rubber belts at the corners of the shroud. This will seal the shroud and ensure a higher negative pressure inside the shroud, thereby reducing the amount of dust escaping from the shroud. It is also recommended that regular maintenance be done on the shroud to ensure that there are no holes, cuts or open voids in the rubber belts.



**Figure 6.** Open slits between rubber belts of the shroud

It was realised that there was no air-blocking shelf on the inside of the shroud. It is therefore recommended that a 150 mm wide rubber belt be installed along the inside perimeter of the shroud that will act as an air-blocking shelf. The shelf should be installed half-way up the shroud and can be fastened to the sides of the shroud with angle iron, nuts, bolts and washers. This will allow most of the dust to circulate in the upper section of the shroud, to be extracted through the dust collector system.

It was unfortunately not possible to measure the volume flow rate of the dust collector extractor fan due to the mine not owning the equipment required to measure the airflow rate.

It is therefore, recommended that a vane anemometer, wire anemometer or pitot tube be acquired in order to make regular collector flow rate readings at the drill rigs. This will enable the mine to know when to do maintenance on the dust collector system or when to change air flow settings if the QC:QB ratio drops below 3:1.

## ROC-L8 DRILL RIGS

It was noted that drill operators only use water during drilling when the holes are collapsing to stabilise the sidewalls. Drilling while introducing water into the bailing air is one of the most effective ways to reduce dust levels. It is therefore, recommended that drilling operators should always drill with water, even if the sidewalls are stable by nature.

Similar to the DM45 drill rig, large amounts of dust passed through the sealing ring where the drill stem enters the shroud. It is therefore recommended that the sealing ring be replaced more often following the correct standard maintenance procedures.



**Figure 7.** Blocked dust collector pipe between shroud and cyclone

The drill operators often do not flush the dust collector system while drilling. This blocks the suction pipe between the shroud and the cyclone (see Figure 7). Blockages in the suction pipe prevent the dust collector system from drawing the dust out of the shroud, causing the dust to escape into the atmosphere. It is therefore recommended that the drill operators flush the dust collector system more regularly by relieving the pull-down pressure and increasing the flow of the bailing air. In addition, the drill operators, assistants, spotters or grade controllers often remove the suction pipe from the shroud to prevent blockages from occurring in order to reduce downtime and to increase production. This creates excessive amounts of dust and it is therefore recommended that stricter supervision be exercised. The supervisor should ensure that the drill operators flush the dust collector system more regularly and that the suction pipe is always connected to the shroud.

It was also realised that the dust collector pipes are susceptible to bending, which will cause a higher airflow resistance in the suction pipes. If the flow rate is reduced, the dust collector system will be less effective and more dust will escape into the atmosphere at the shroud. It is therefore recommended that regular maintenance be done on the suction pipes to ensure that they are whole, have no bends, and are tightly fastened to the remaining components (shroud, cyclone and filters). Large amounts of dust were also coupled with bad drilling practices. More dust was liberated when the drill chippings were very fine and less dust was observed when the drill chippings were larger in size.

Inexperienced drill operators use excessive amounts of rotational pressure compared with the pulldown pressure on the drill bit. This prevents the tungsten carbide teeth from indenting into the rock, and causes the drill bit to grind the host rock. The grinding action at the drill bit creates excessive amounts of fine drill chippings which become airborne much more easily when they are bailed out of the drill collar. It is therefore recommended that drill operators be trained to drill correctly and more efficiently. This will not only reduce dust levels, but also increase the drill bit life.

## CONCLUSIONS

The dust concentrations reported from the sampling measurements on the mine indicated that spotters and samplers around the drill rigs are exposed to dust levels above the standard set for occupational exposure limit (OEL).

From the field investigation it was found that maintenance on the dust collector systems of the drill rigs was not being done to acceptable standards. More regular maintenance is required on the shroud, suction pipes, filters, and especially the sealing ring (where the drill stem enters the shroud) of the drill rigs. It was also

recommended that new overlapping rubber belts be installed on the shroud of the DM45, as well as an air-blocking shelf on the inside perimeter of the shroud.

The mine needs to purchase and install an airflow meter to ensure that the QC:QB ratio never drops below 3:1.

The drill operators should be required always to drill with water and to flush the dust collector system more frequently to prevent any blockages in the suction pipes. Improved and advanced training for the drill operators is required. This will improve drilling practices, which will lead to reduced dust levels and increased drill bit life.

The implementation of the recommended improvements in engineering controls, better maintenance practices and better operating practices will assist in preventing any potential respiratory diseases and the degradation of the surrounding environment.

## REFERENCES

- Cecala, A.B., O'Brien, A.D., Colinet, J.F., Fox, W.R., Franta, R.J., Randolph J.J., Reed, W.R., Reeser, P.W., Rounds, J.R. and Schultz, M.J., 2012. *Dust control handbook for industrial minerals mining and processing*. Department of Health and Human Services. Centers for Disease Control and Prevention. National Institute for Occupational Safety and Health. Office of Mine Safety and Health Research. Pittsburgh, PA, Spokane, WA.
- Clere, J. and Hearl, F., 1994. NIOSH/DRDS. *NIOSH Manual of Analytical Methods (NMAM)*, 4th ed.
- Government Gazette of the Republic of Namibia. Labour Act, 1992. *Regulations Relating to the Health and Safety of Employees at Work. Schedule 1(2), Occupational Exposure Limits for Airborne Hazardous Substances Made under the Labour Act 1992 (Act 6 of 1992), (section 101, regulation 185 (1))*.
- Kahramana, S., Bilginb, N., and Feridunoglu, C., 2003. *Dominant rock properties affecting the penetration rate of percussive drills*. International Journal of Rock Mechanics & Mining Sciences 40: 711–723.
- Maksimovic, S.D. and Page, S.J., 1985. *Quartz dust sources during overburden drilling at surface coal mines*. U.S. Department of the Interior, Bureau of Mines Informational Circular 9056.
- Page, S.J., 1987. *Optimizing dust control on surface coal mine drills*. U.S. Department of the Interior, Bureau of Mines Technology News 286.
- Page, S.J., 1991. *Respirable dust control on overburden drills at surface mines. Coal mining technology, economics, and policy*. Session papers from the American Mining Congress Coal Convention, Pittsburgh, Pennsylvania, 2–5 June, pp. 523–539.
- Potts, J.D. and Reed, W.R., 2008. *Horizontal air blocking shelf reduces dust leakage from surface drill shroud*. Transactions of the Society of Mining, Metallurgy, and Exploration, 324:55–60.
- Potts, J.D. and Reed, W.R., 2010. *Field evaluation of air-blocking shelf for dust control on blasthole drills*. Submitted to Mining Engineering.
- Reed, W.R. and Potts, J.D., 2009. *Improved drill shroud capture of respirable dust utilizing air nozzles underneath the drill deck*. Transactions of the Society of Mining, Metallurgy, and Exploration, 326:1–9.
- Reed, W.R. Organiscak, J.A. and Page, S.J., 2004. *New approach controls dust at the collector dump point*. Coal Age, June: 20-22.