

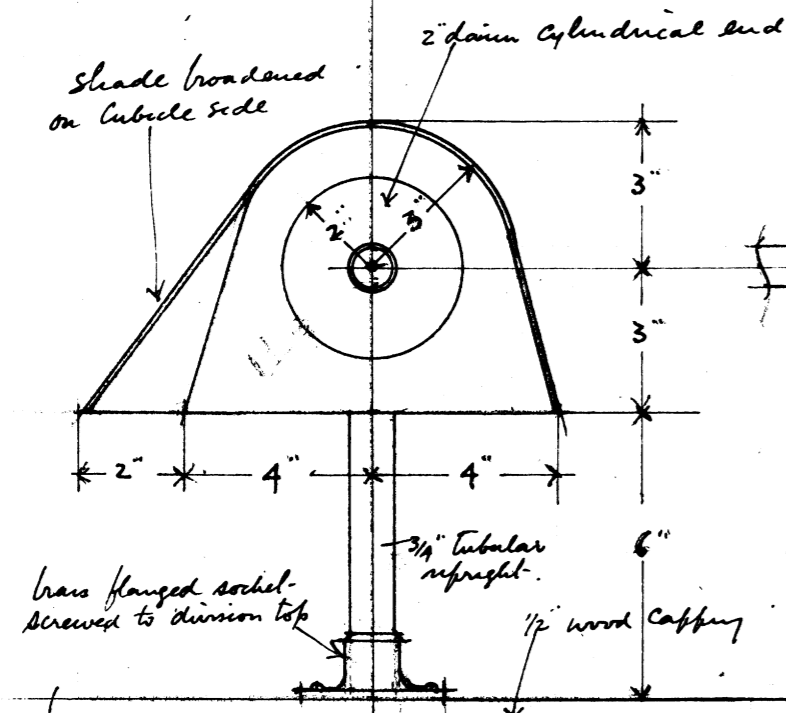
BARCLAYS BANK (DOMINION, COLONIAL AND OVERSEAS)

DRAWING NO. B-127.P
23 : 5 : 33.

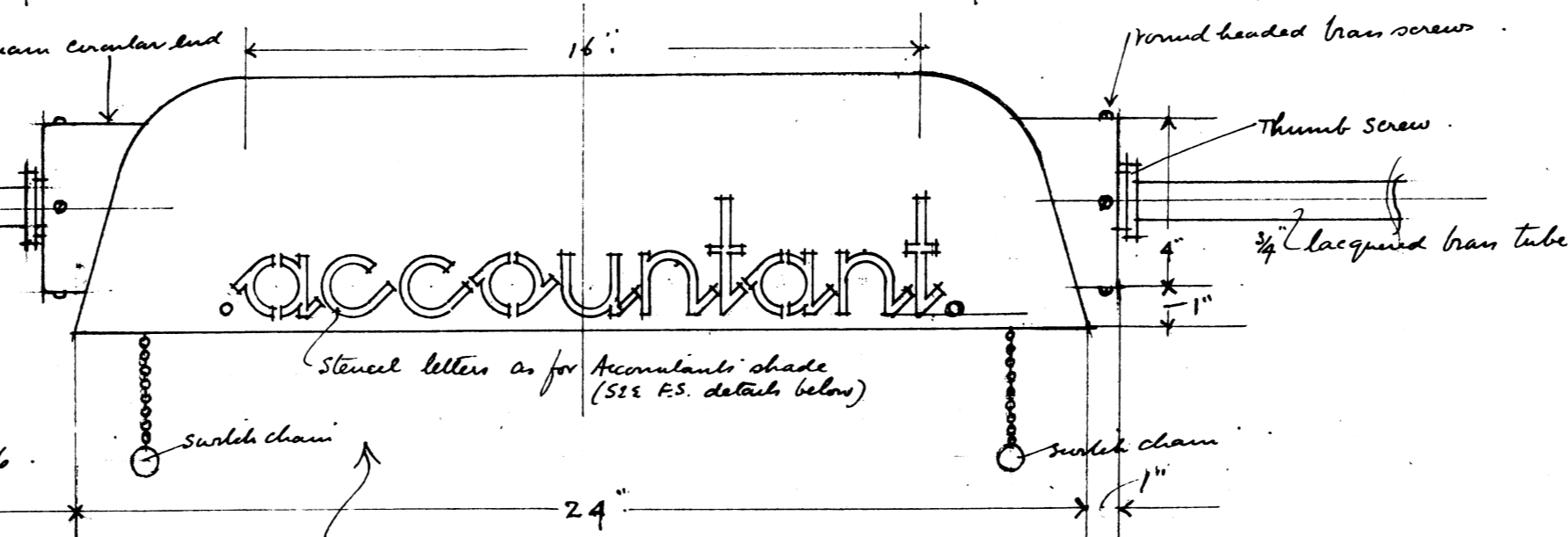
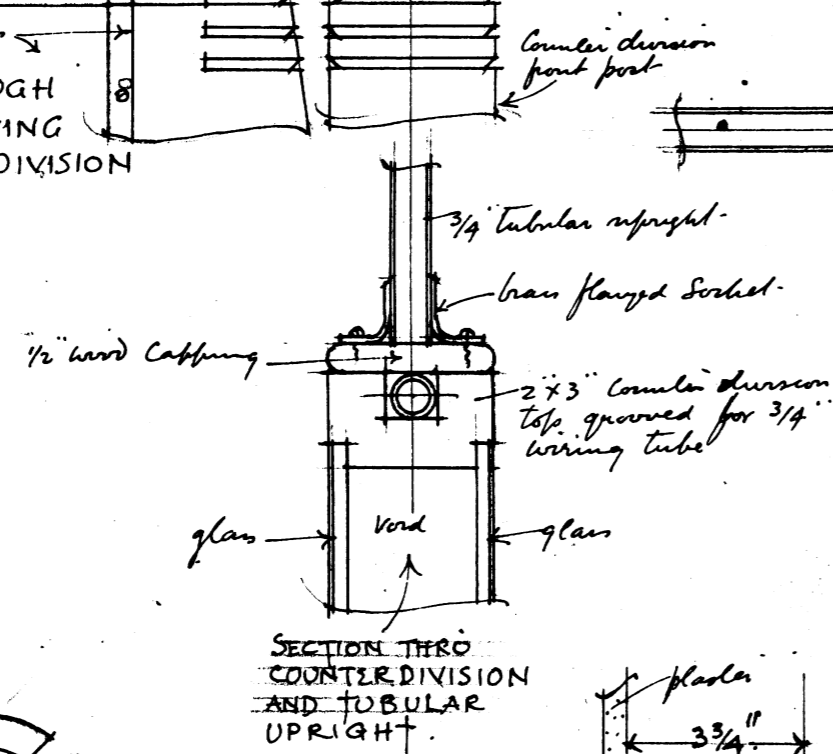
1/4 FULL SIZE DETAILS OF SPECIAL ELECTRIC - LIGHT FITTINGS FOR NEW INTERIOR TO EAST-END BRANCH.

NOTE: ALL BRASSWORK SHOWN BELOW IS TO HAVE AN APPROVED LACQUERED FINISH AND SHEET BRASS TO BE OUT OF 20 GAUGE STUFF. (SEE 1/4 SCALE WORKING DRAWING FOR COMPLETE SETTING OUT OF FITTINGS)

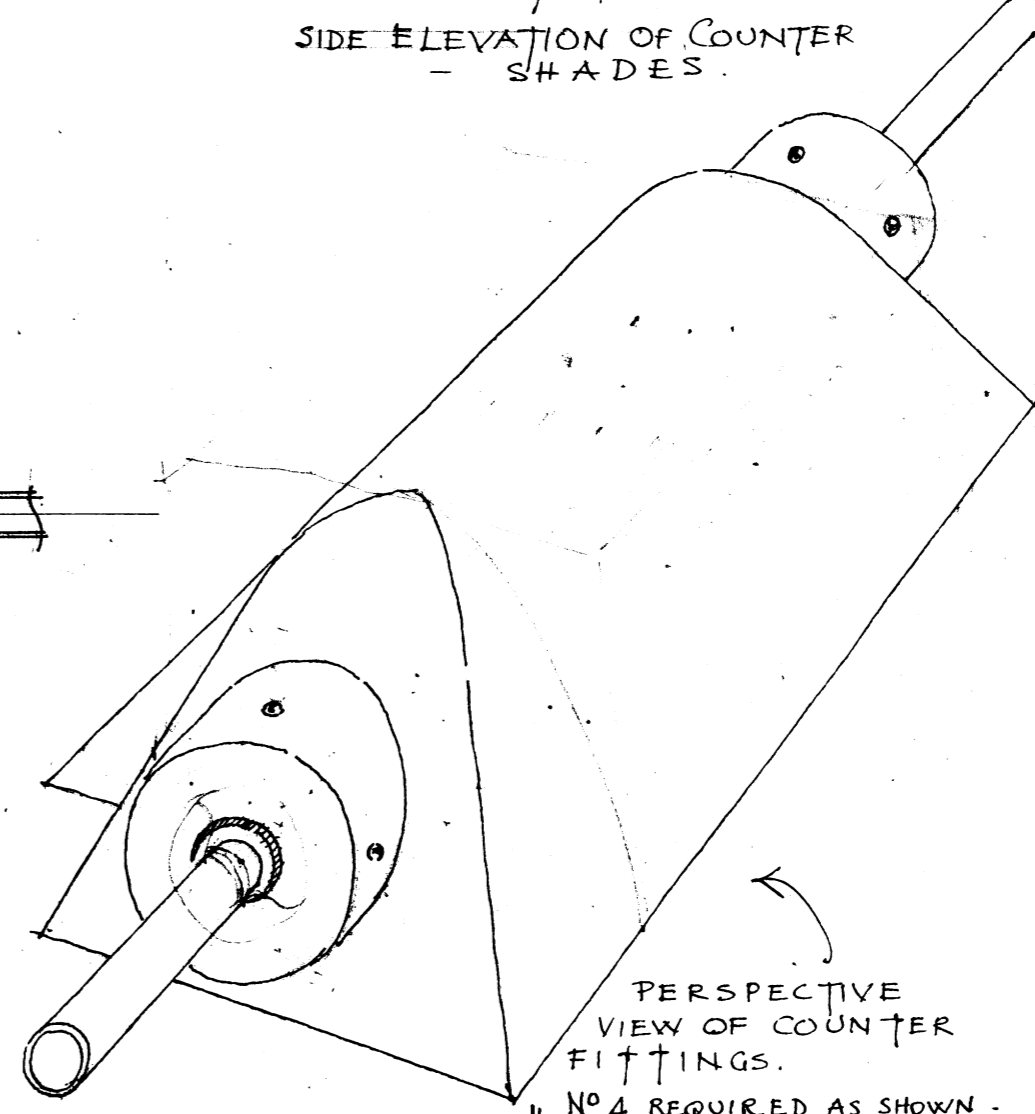
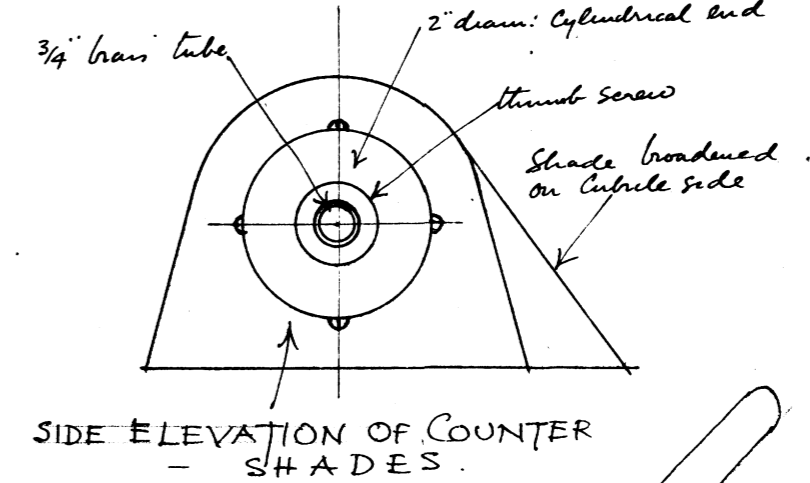
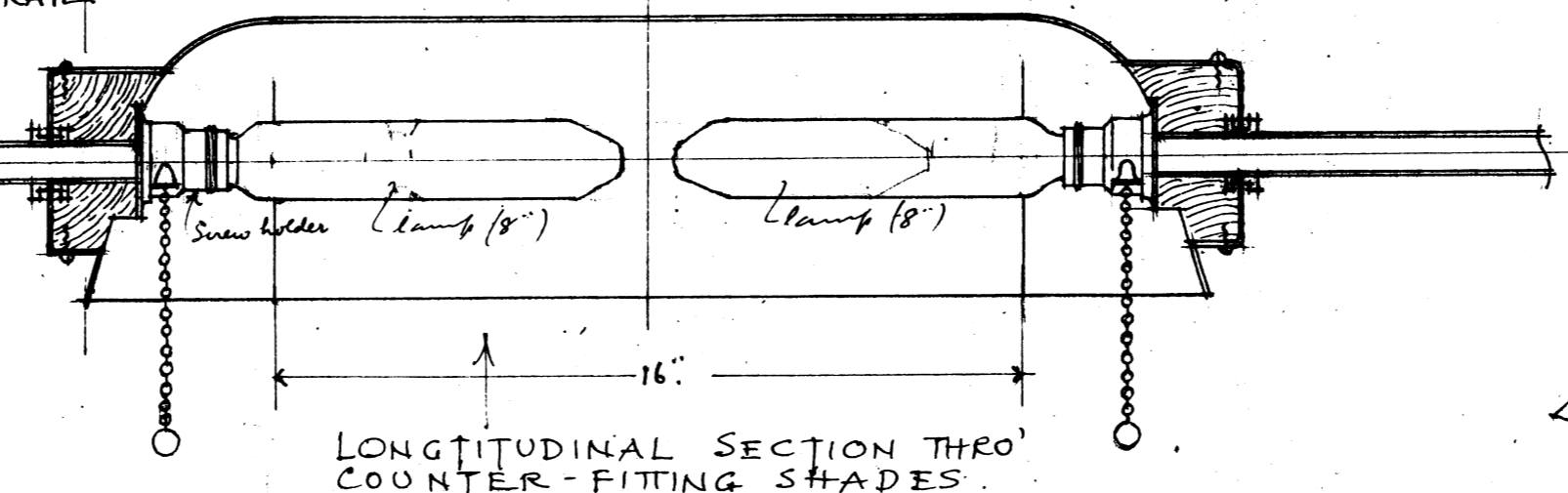
Norman Eaton A.R.I.B.A.
CHARTERED ARCHITECT
52 GRESHAM BUILDINGS
ST. ANDRIES STREET
PERTH O.R.A.



CROSS-SECTION THROUGH COUNTER-SHADE, SHOWING POSITION OVER COUNTER DIVISION

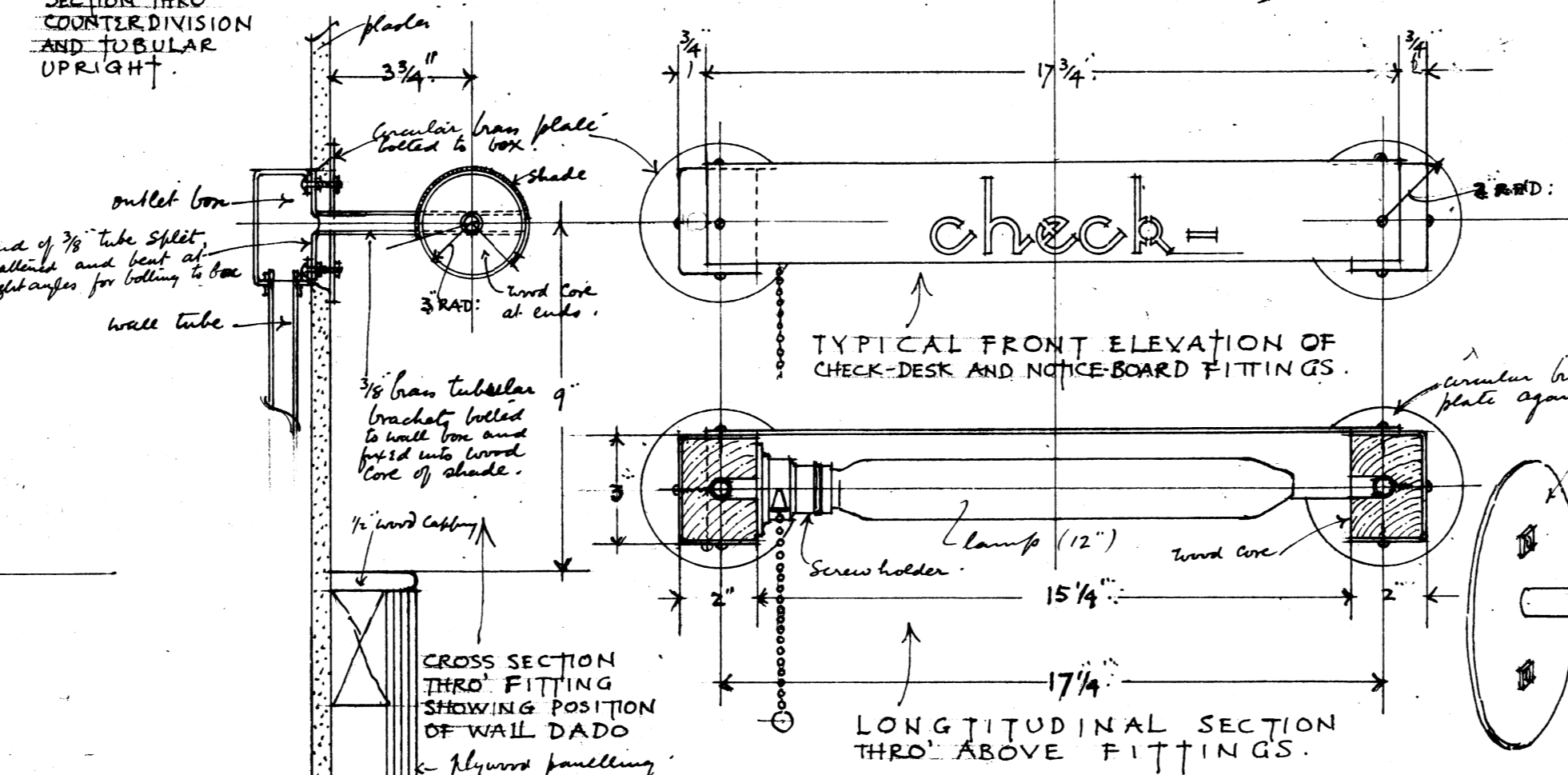
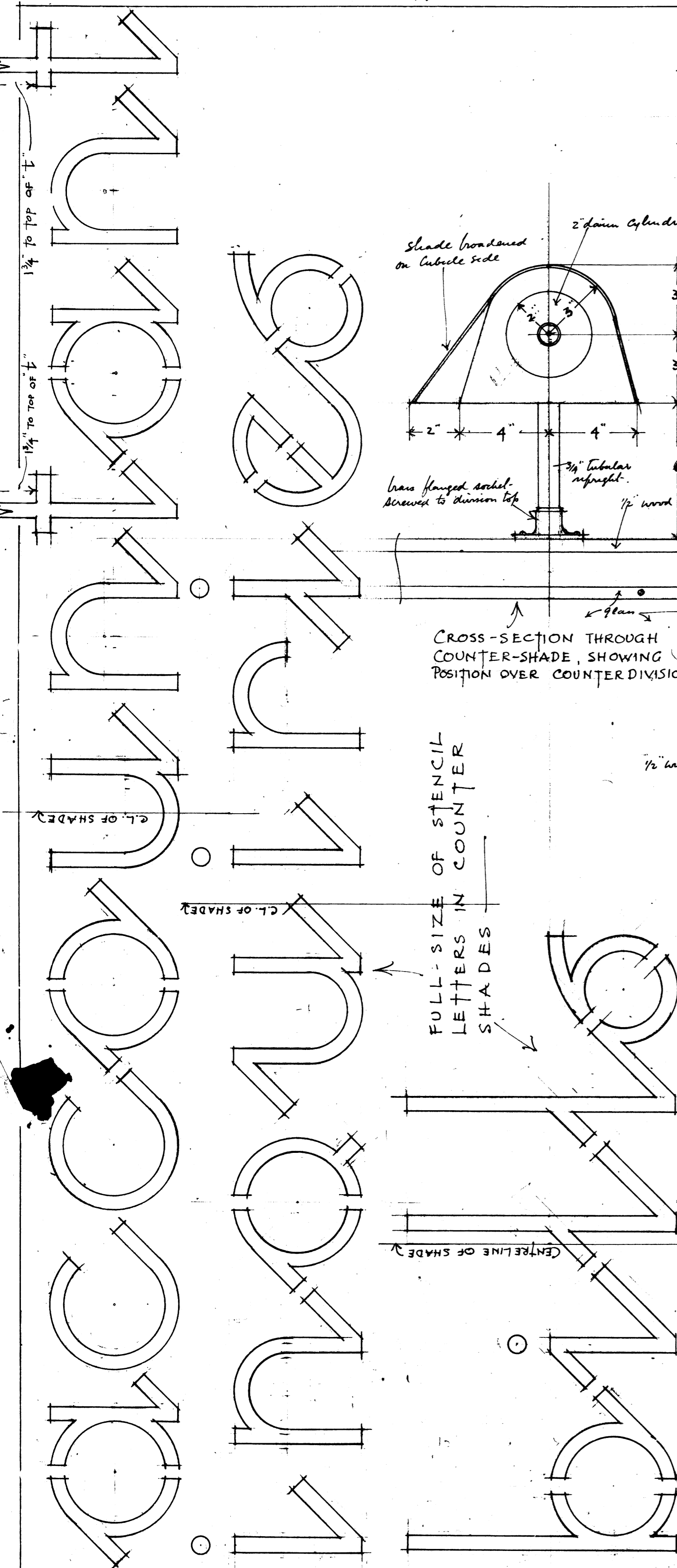


TYPICAL FRONT ELEVATION OF SHADES TO COUNTER FITTINGS.

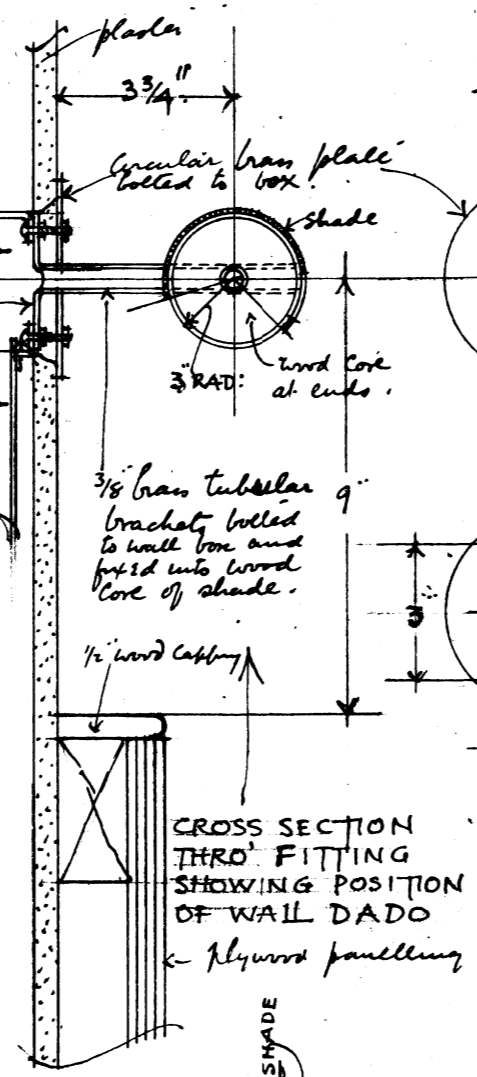


NO 4 REQUIRED AS SHOWN - NO 1 " " " WITH ONE CYLINDRICAL END OMITTED FOR A/C'S CUBICLE. (SEE W.K.G. DWG.) NO 1 " " TO CURVED SHAPE ON PLAN AS DETAILED LATER. APPROPRIATE LETTERING STENCILED THRO SHADE IN EACH CASE.

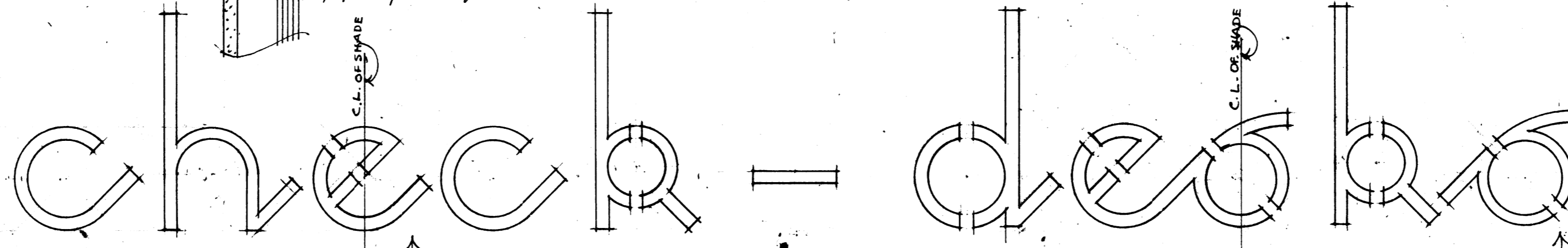
FULL-SIZE OF STENCIL LETTERS IN COUNTER SHADES



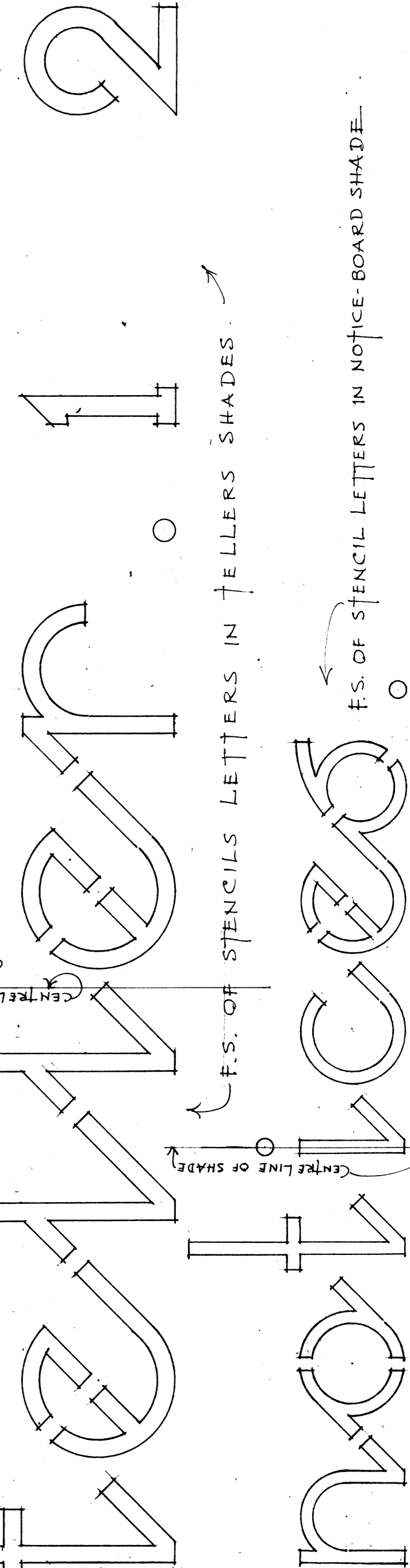
LONGITUDINAL SECTION THRO ABOVE FITTINGS.



PERSPECTIVE VIEW OF CHECK DESK AND NOTICE BOARD FITTINGS. NO 3 REQUIRED AS SHOWN WITH APPROPRIATE LETTERING STENCILED THRO BRASS SHADE IN EACH CASE. (See F.S. of letters)



FULL-SIZE OF STENCIL-LETTERS IN CHECK-DESK SHADES.



F.S. OF STENCIL LETTERS IN TELLERS SHADES. F.S. OF STENCIL LETTERS IN NOTICE-BOARD SHADE.

P/14/20