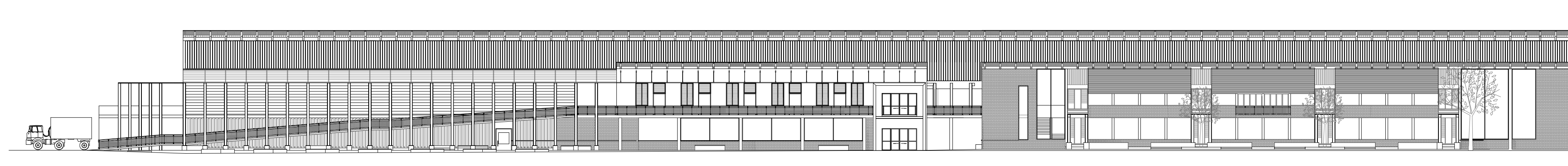




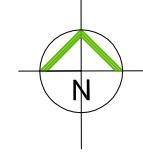
ELEVATIONS
1:300



SOUTH FROM BOOM STREET



NORTH FROM THE COURTYARD



UNIVERSITY OF PRETORIA
Department of Architecture

Project Name: BRIDGING THE GAP
An In-Vocational Training Centre for the physically disabled

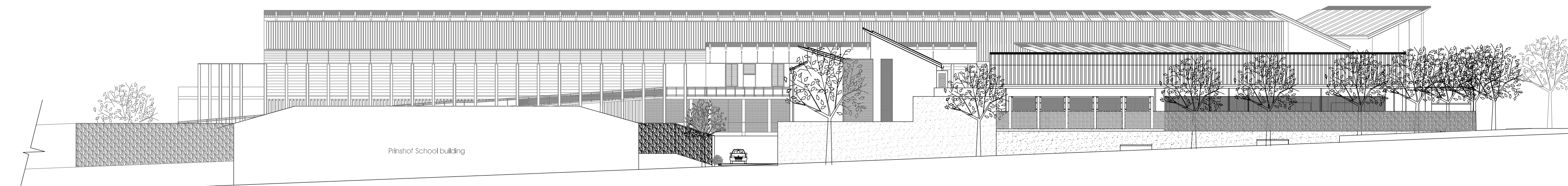
Name: Mia Muller

Course: Masters in Architecture (Professional)

Date: 2007

Scale: 1:300

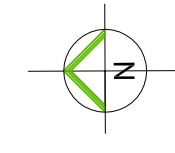
ELEVATIONS
1:300



WEST



NORTH FACADE OF ACCOMMODATION BLOCK



UNIVERSITY OF PRETORIA
Department of Architecture

Project Name: BRIDGING THE GAP
An In-Vocational Training Centre for the physically disabled

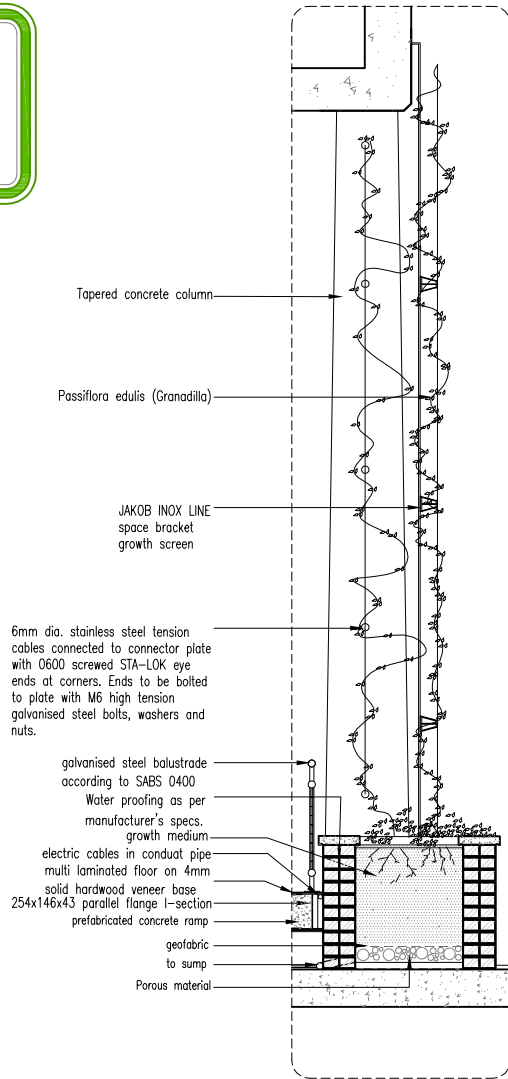
Name: Mia Muller

Course: Masters in Architecture (Professional)

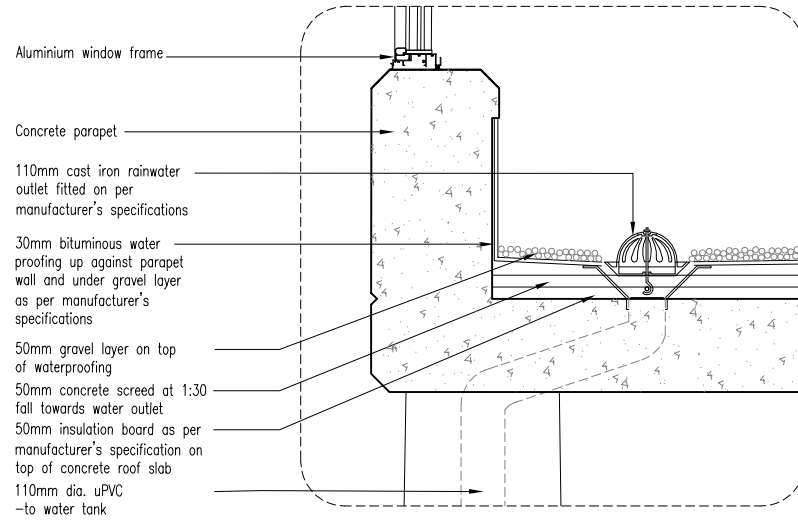
Date: 2007

Scale: 1:300

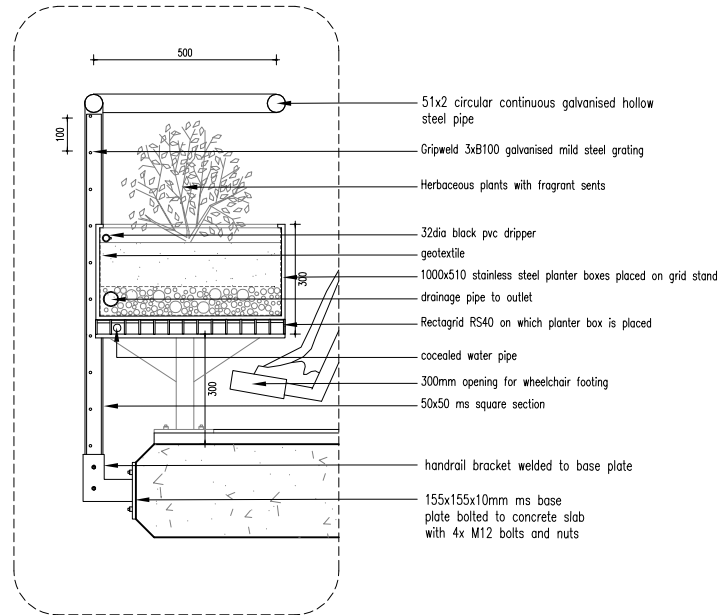
DETAILS



DETAIL A
PLANTER WITH GROWTH SCREEN NEXT TO RAMP
1:50



DETAIL B
RAINWATER DOWN PIPE IN CONCRETE BOX GUTTER
1:20



DETAIL C
PLANTER BALUSTRADE
1:5

UNIVERSITY OF PRETORIA
Department of Architecture

Project Name: **BRIDGING THE GAP**
An In-Vocational Training Centre
for the physically disabled

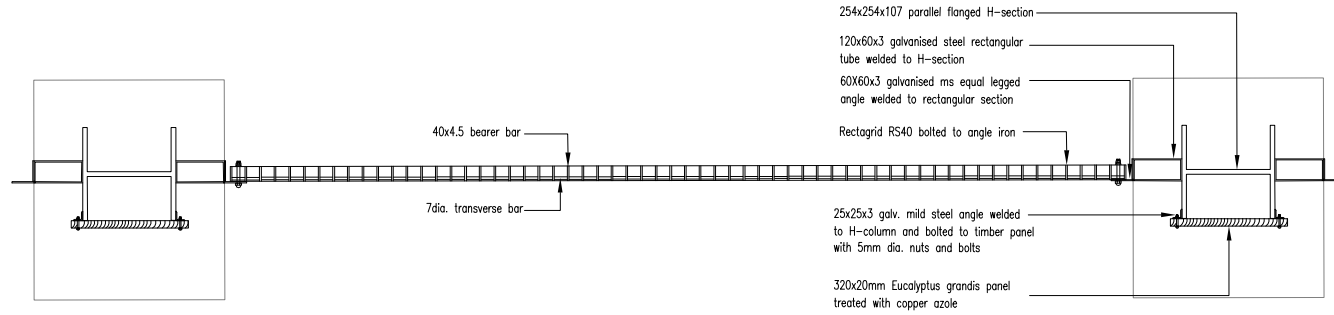
Name: **Mia Muller**

Course: **Masters in Architecture (Professional)**

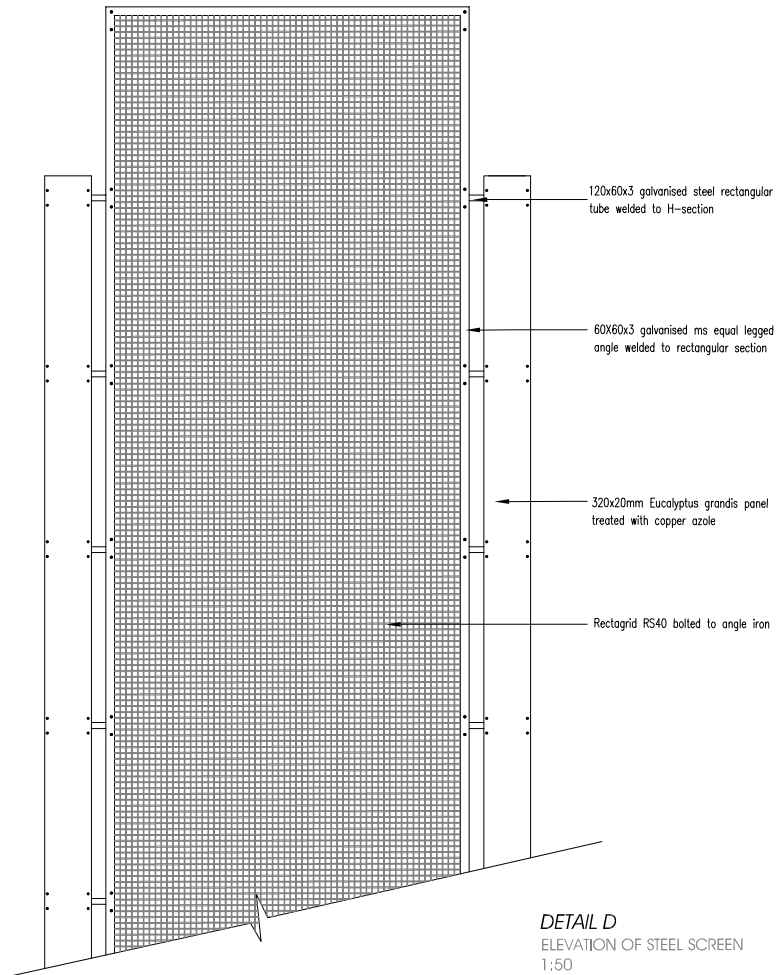
Date: **2007**

Scale: **as indicated**

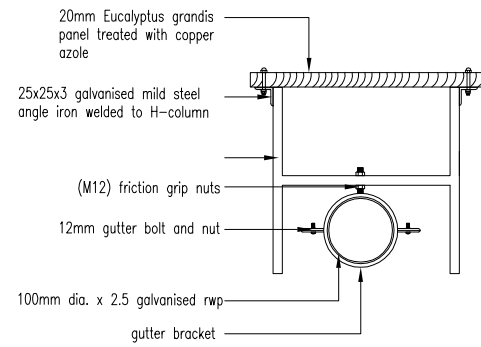
DETAILS



DETAIL D
PLAN OF STEEL SCREEN
1:20



DETAIL D
ELEVATION OF STEEL SCREEN
1:50



DETAIL E
RAINWATER DOWN PIPE IN
H-SECTION STEEL COLUMN
1:10

UNIVERSITY OF PRETORIA
Department of Architecture

Project Name: BRIDGING THE GAP
An In-Vocational Training Centre
for the physically disabled

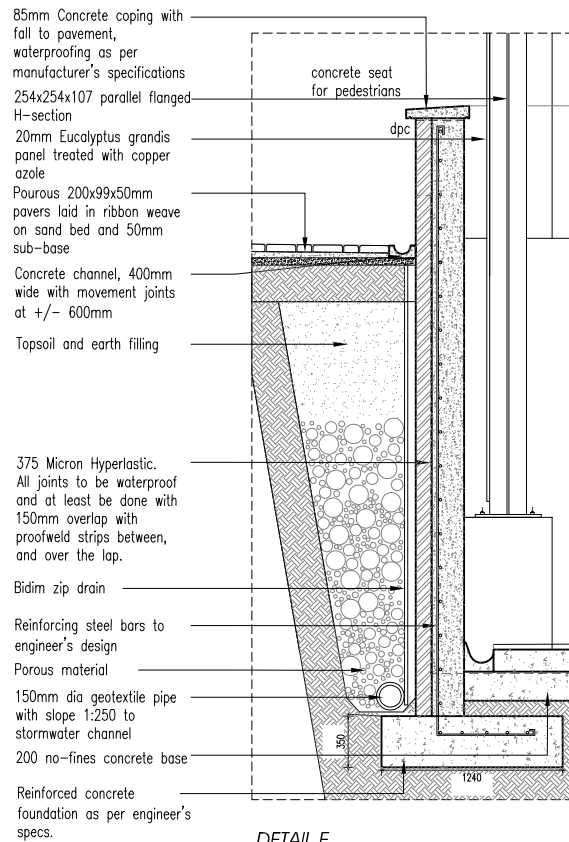
Name: Mia Muller

Course: Masters in Architecture (Professional)

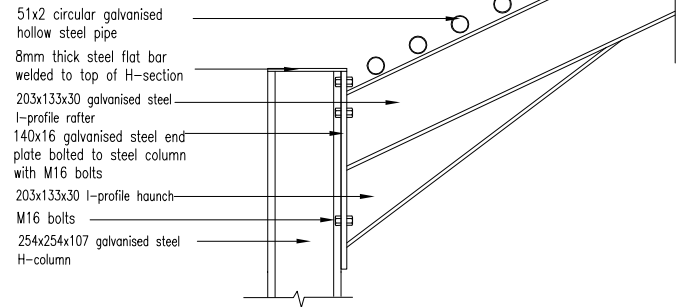
Date: 2007

Scale: as indicated

DETAILS



DETAIL F
RETAINING WALL
1:50



DETAIL G
STEEL ROOF CONNECTION IN GREENHOUSE
1:20

UNIVERSITY OF PRETORIA
Department of Architecture

Project Name: BRIDGING THE GAP
An In-Vocational Training Centre
for the physically disabled

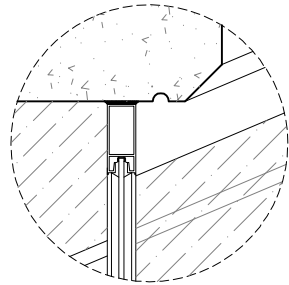
Name: Mia Muller

Course: Masters in Architecture (Professional)

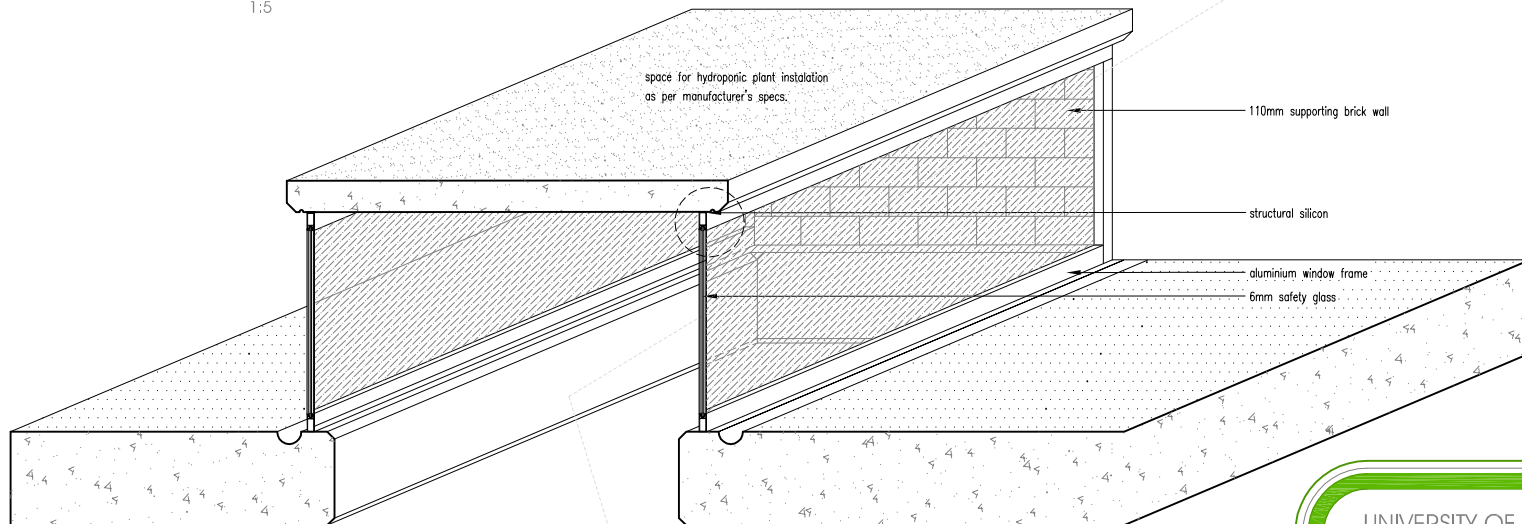
Date: 2007

Scale: as indicated

DETAILS



WINDOW FIXING
1:5



DETAIL H
PLANT BOX AS LIGHT SHAFT
1:20

UNIVERSITY OF PRETORIA
Department of Architecture

Project Name: BRIDGING THE GAP
An In-Vocational Training Centre
for the physically disabled

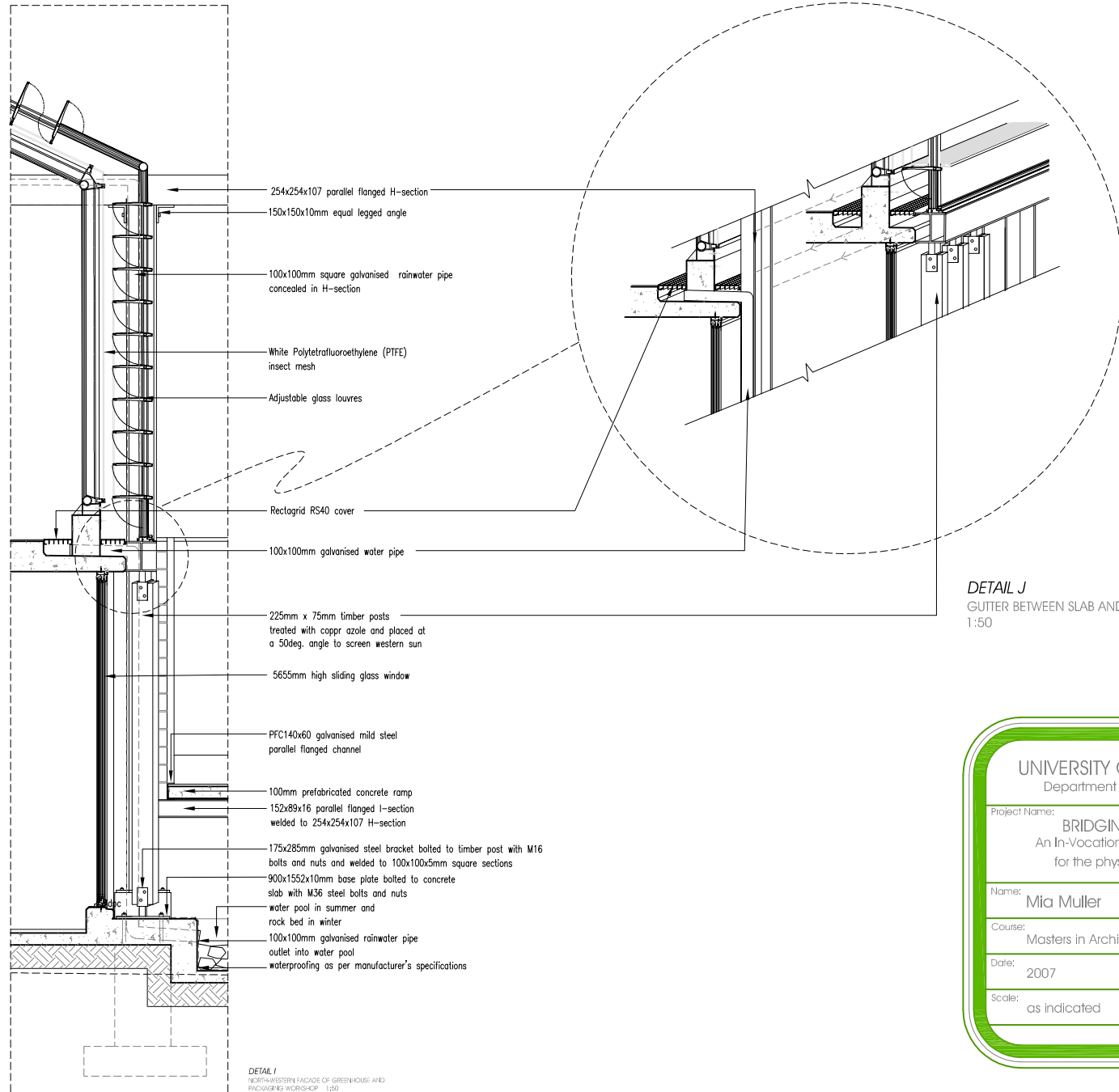
Name: Mia Muller

Course: Masters in Architecture (Professional)

Date: 2007

Scale: as indicated

DETAILS



UNIVERSITY OF PRETORIA
Department of Architecture

Project Name: BRIDGING THE GAP
An In-Vocational Training Centre for the physically disabled

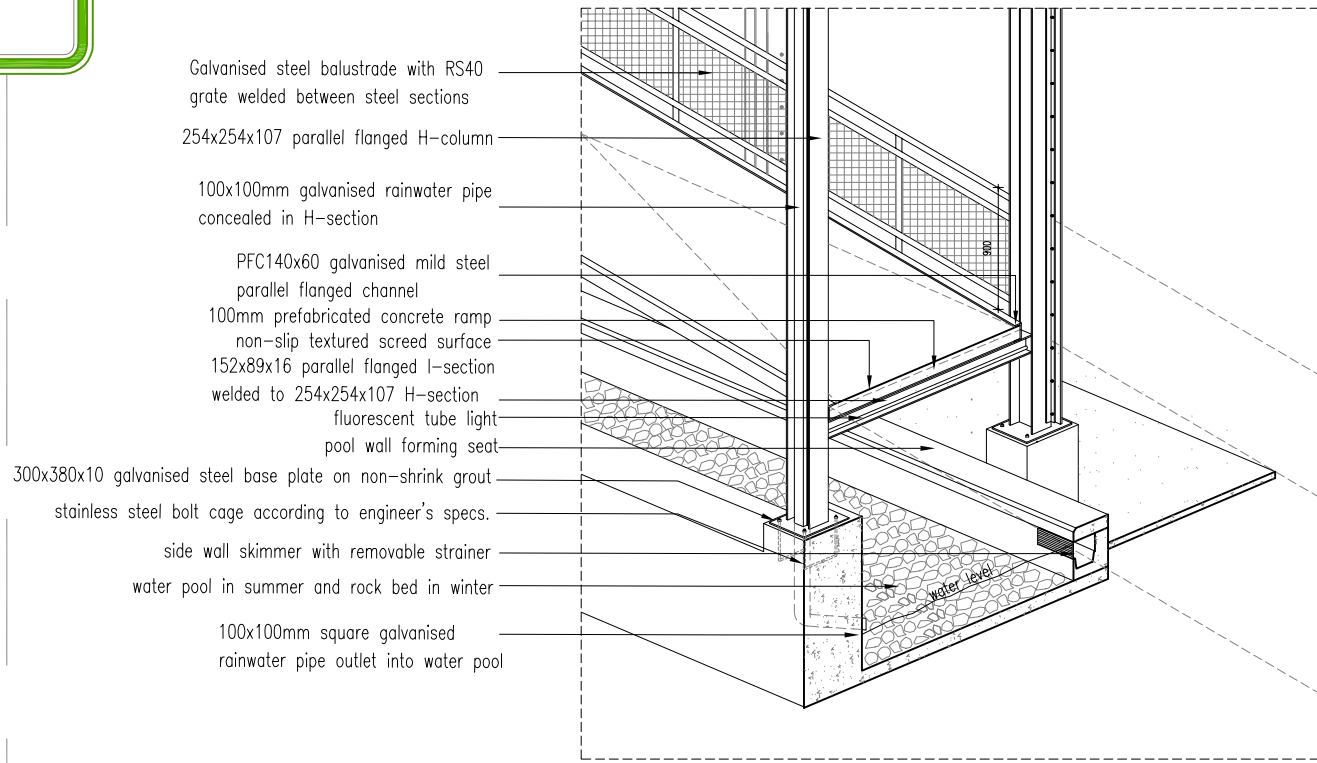
Name: Mia Muller

Course: Masters in Architecture (Professional)

Date: 2007

Scale: as indicated

DETAILS



- Galvanised steel balustrade with RS40 grate welded between steel sections
- 254x254x107 parallel flanged H-column
- 100x100mm galvanized rainwater pipe concealed in H-section
- PFC140x60 galvanized mild steel parallel flanged channel
- 100mm prefabricated concrete ramp non-slip textured screed surface
- 152x89x16 parallel flanged I-section welded to 254x254x107 H-section
- fluorescent tube light
- pool wall forming seat
- 300x380x10 galvanized steel base plate on non-shrink grout
- stainless steel bolt cage according to engineer's specs.
- side wall skimmer with removable strainer
- water pool in summer and rock bed in winter
- 100x100mm square galvanized rainwater pipe outlet into water pool

DETAIL K
RAMP OUTSIDE OF THE GREENHOUSE, WITH EVAPORATIVE COOLING POOL / ROCK BED BENEATH
not to scale

UNIVERSITY OF PRETORIA
Department of Architecture

Project Name: BRIDGING THE GAP
An In-Vocational Training Centre for the physically disabled

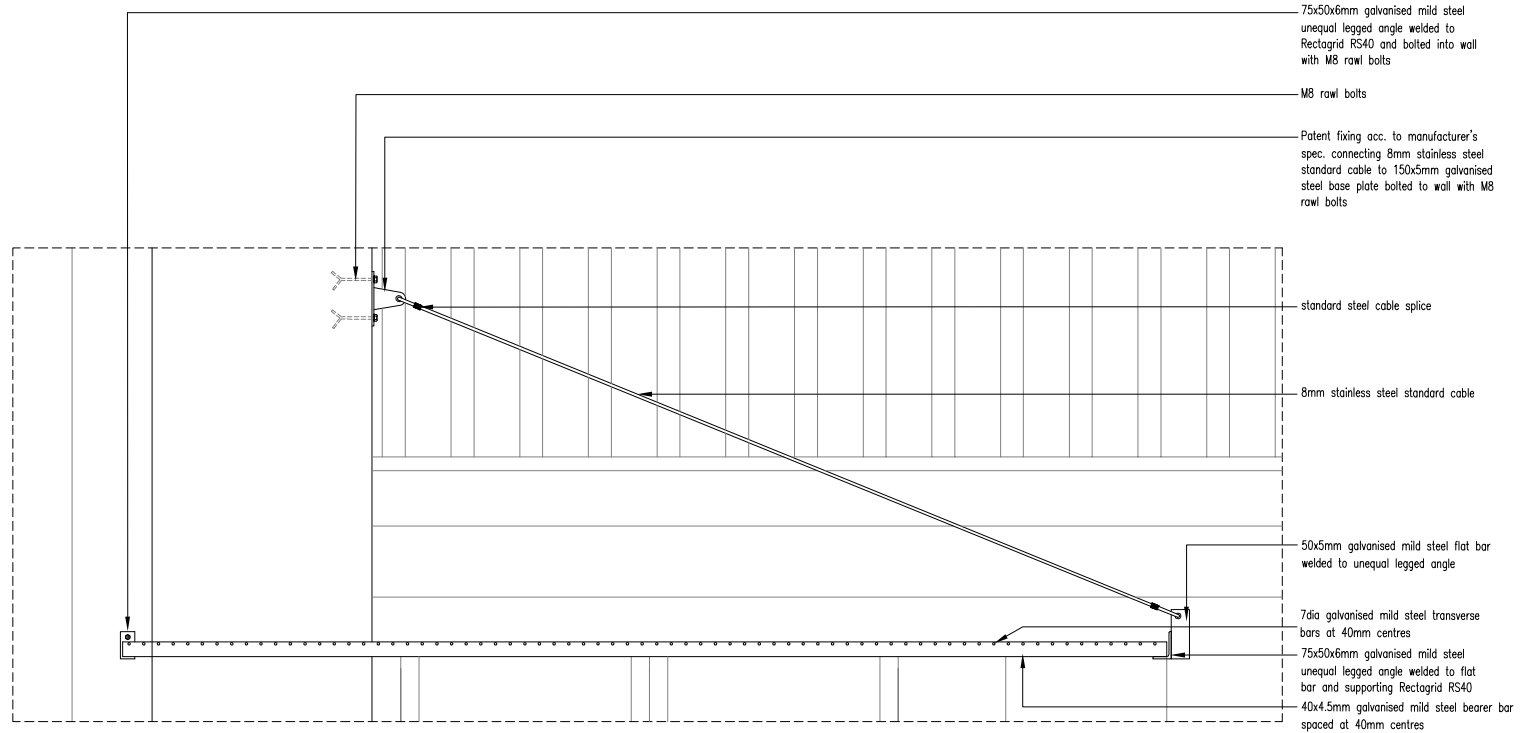
Name: Mia Muller

Course: Masters in Architecture (Professional)

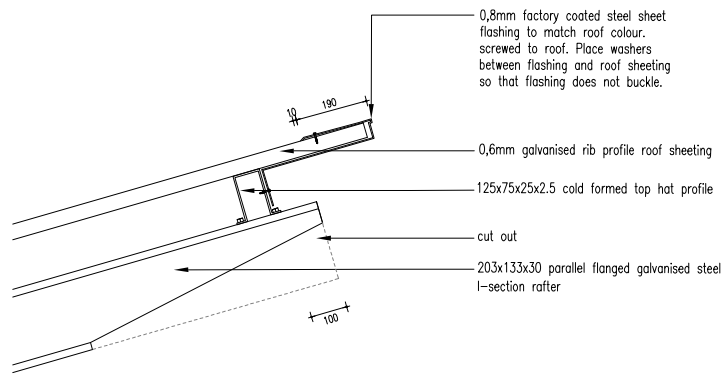
Date: 2007

Scale: as indicated

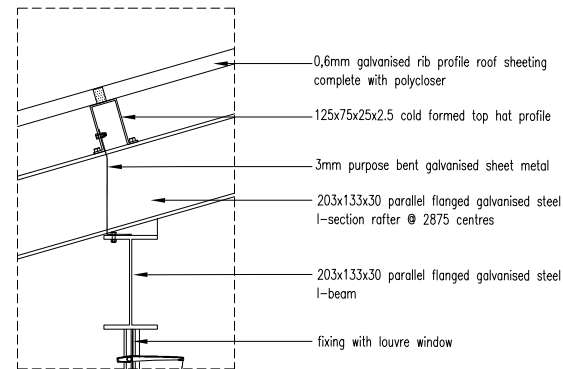
DETAILS



DETAIL L
GRATE CANOPY
1:20



DETAIL M
CAFETERIA ROOF
1:20



DETAIL N
CAFETERIA ROOF
1:20

UNIVERSITY OF PRETORIA
Department of Architecture

Project Name: BRIDGING THE GAP
An In-Vocational Training Centre
for the physically disabled

Name: Mia Muller

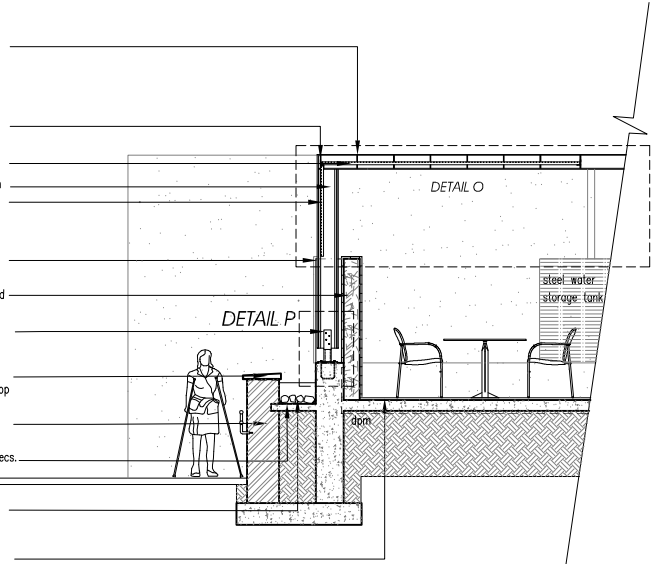
Course: Masters in Architecture (Professional)

Date: 2007

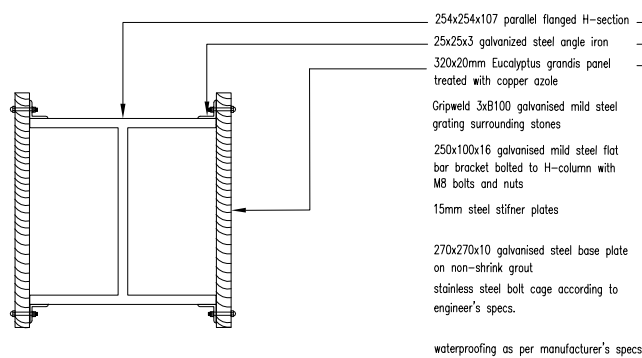
Scale: as indicated

DETAILS

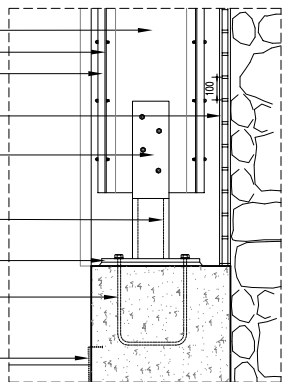
- 10mm thick flats welded against H-beam
- 75x50x4mm galvanised mild steel unequal legged angle welded to Rectagrid RS40
- Rectagrid RS40
- 254x254x107 parallel flanged H-section
- Rectagrid RS40 welded to 50x50x5 angle above and welded to 100 thick flats welded against H-beam
- 20mm Eucalyptus grandis panel treated with copper azole
- stone wall in Gripweld 3xB100 galvanised mild steel grating
- 250x16mm galvanised mild steel flat bar bracket
- 75mm thick concrete coping with approved waterproofing and fabric on top of coping. Coping to have 2deg. fall to outside.
- waterproofing as per manufacturer's specs.
- water pool in summer / rock bed in winter
- non-slip tiles 1:100 to outlet



CAFETERIA VERANDAH WITH GRATE SCREEN
1:100



- 254x254x107 parallel flanged H-section
- 25x25x3 galvanised steel angle iron
- 320x20mm Eucalyptus grandis panel treated with copper azole
- Gripweld 3xB100 galvanised mild steel grating surrounding stones
- 250x100x16 galvanised mild steel flat bar bracket bolted to H-column with M8 bolts and nuts
- 15mm steel stiffner plates
- 270x270x10 galvanised steel base plate on non-shrink grout
- stainless steel bolt cage according to engineer's specs.
- waterproofing as per manufacturer's specs.



DETAIL P
H-column fixing
1:20

UNIVERSITY OF PRETORIA
Department of Architecture

Project Name: BRIDGING THE GAP
An In-Vocational Training Centre
for the physically disabled

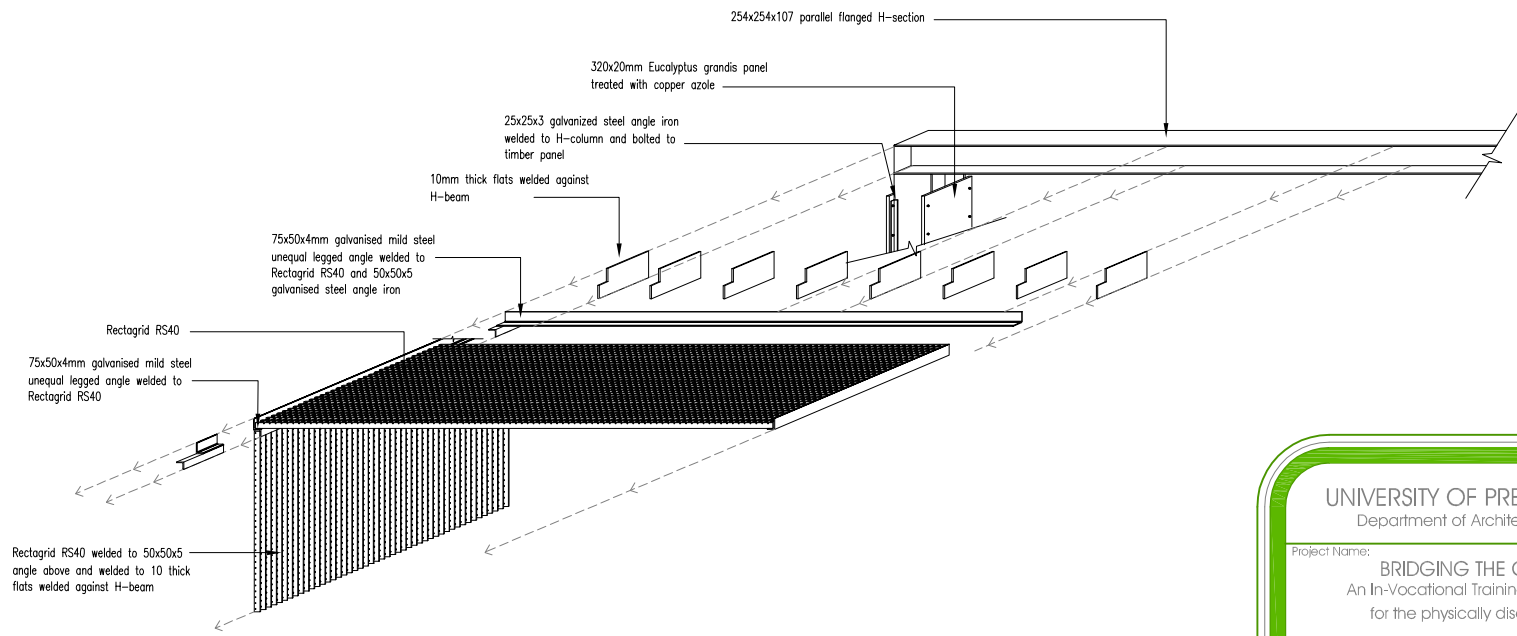
Mia Muller

Masters in Architecture (Professional)

2007

as indicated

DETAILS



DETAIL O
 Grate screen
 1:50

UNIVERSITY OF PRETORIA
 Department of Architecture

Project Name: BRIDGING THE GAP
 An In-Vocational Training Centre
 for the physically disabled

Mia Muller

Masters in Architecture (Professional)

2007

as indicated