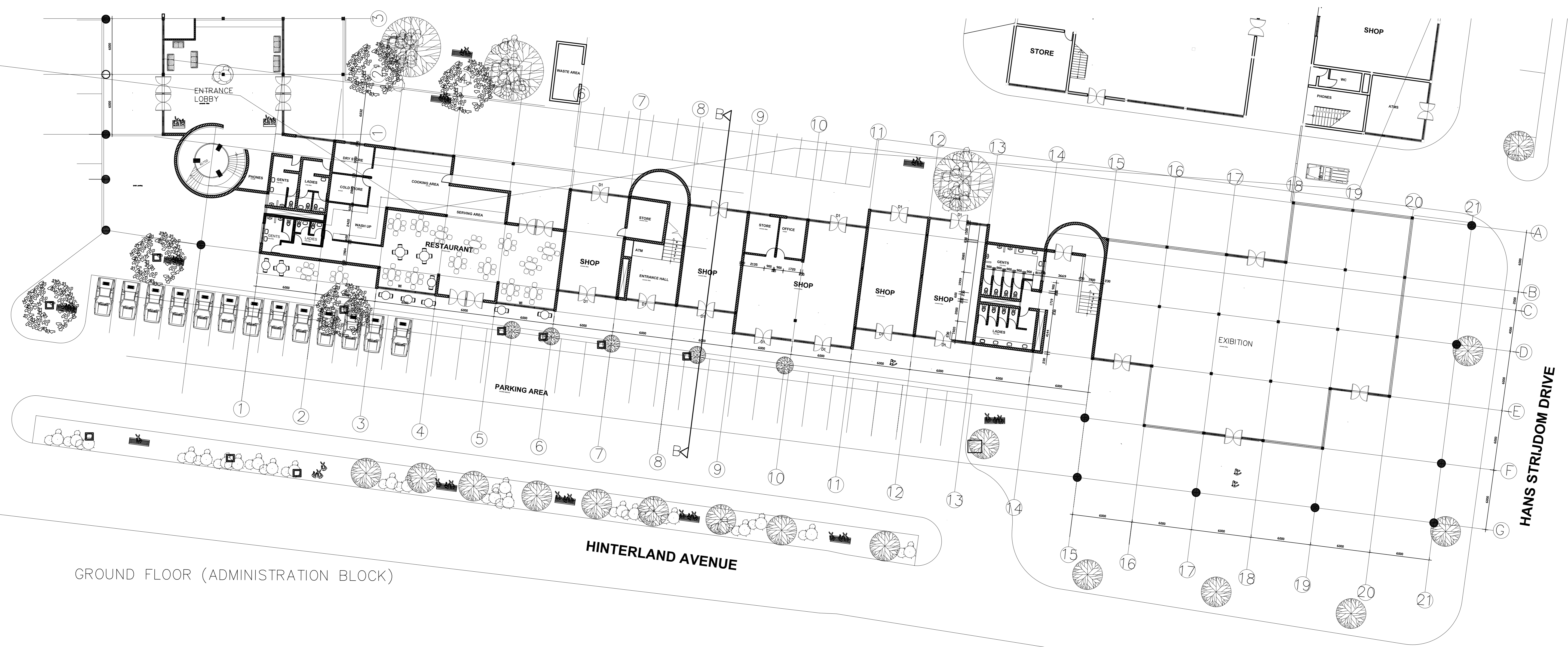


ELEVATION ALONG HINTERLAND DRIVE



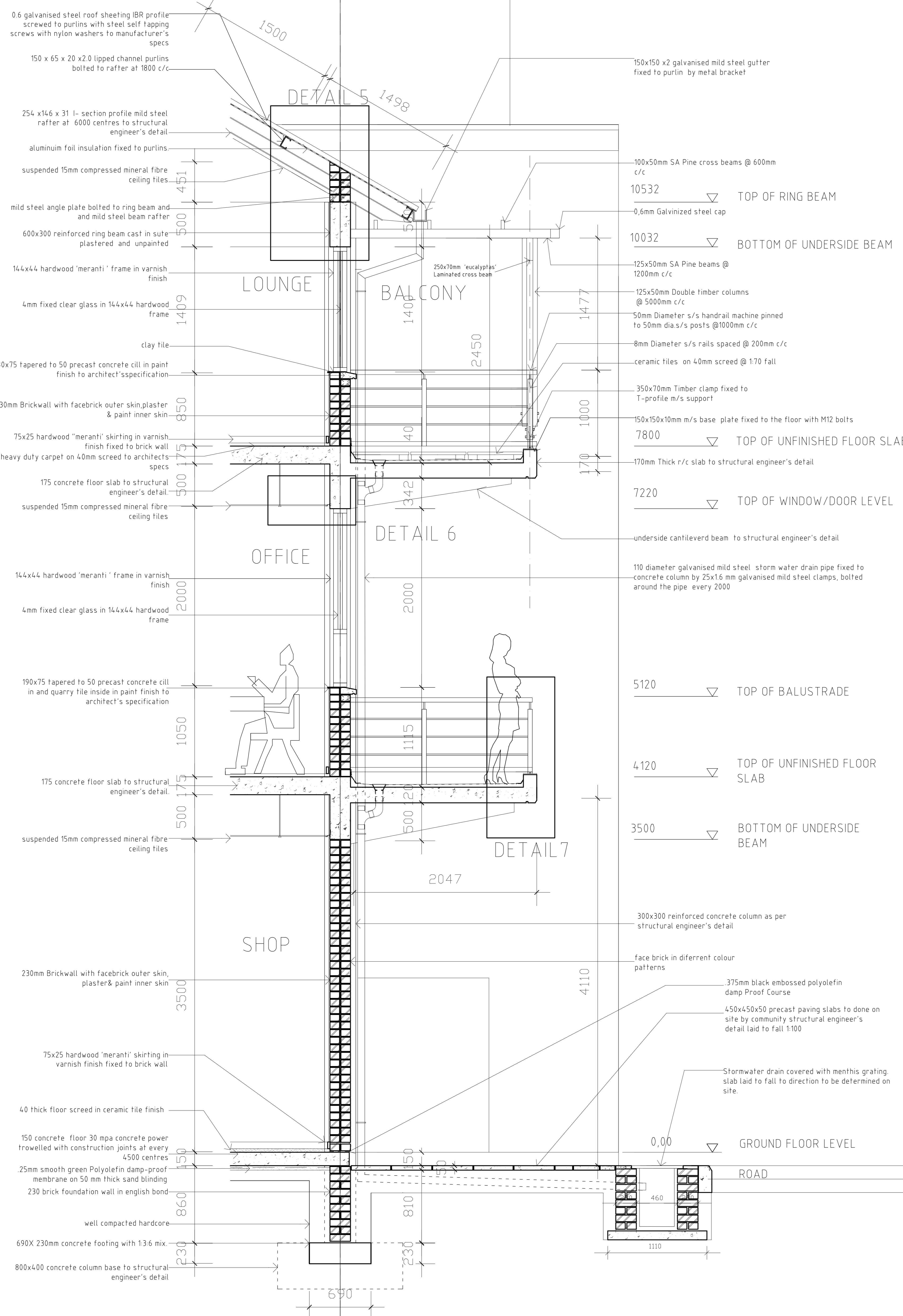
GROUND FLOOR (ADMINISTRATION BLOCK)

ADMINISTRATION

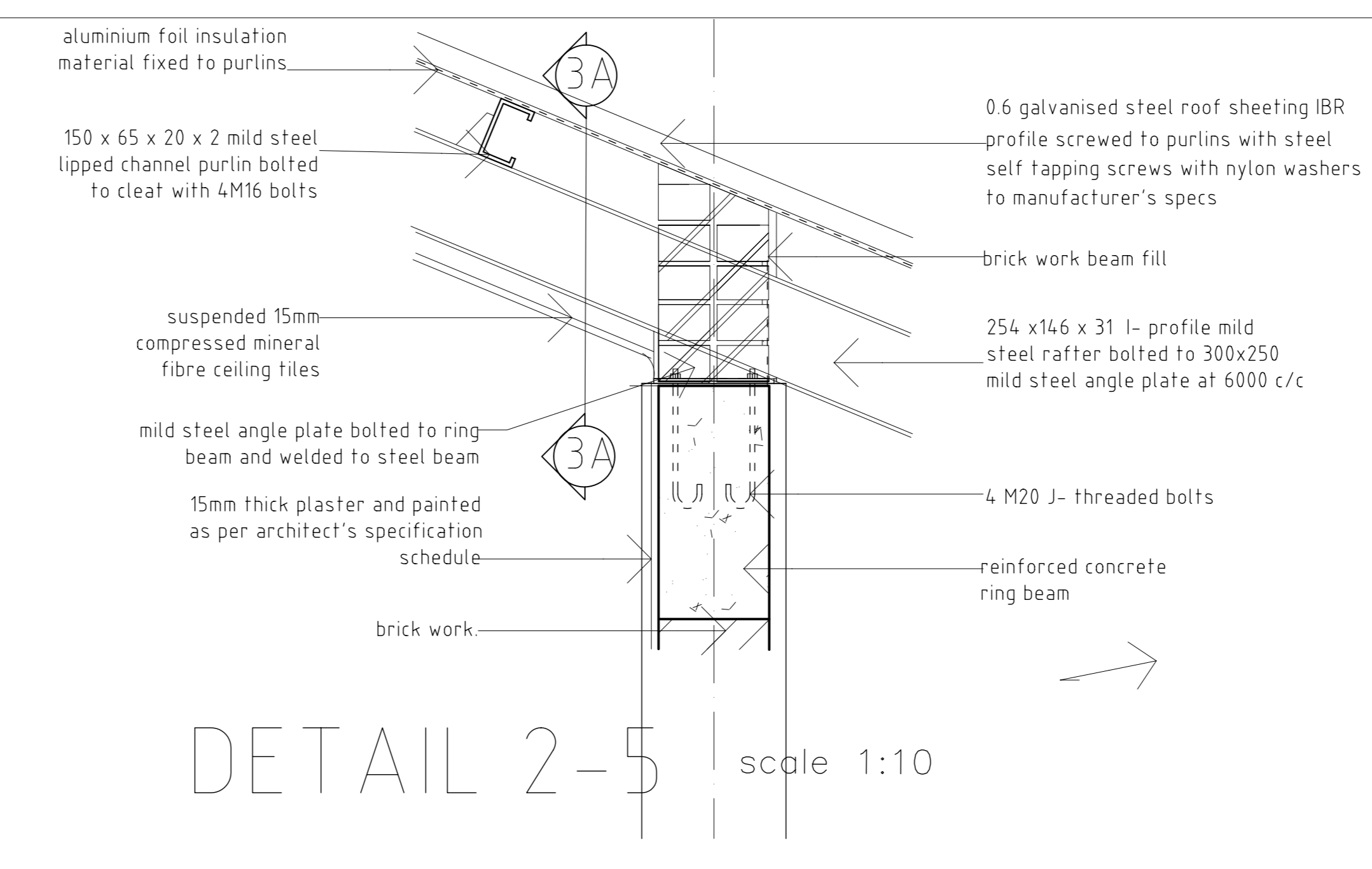


SOUTH -ELEVATION ALONG SERVICE ROAD FACING EAST SCALE 1:200

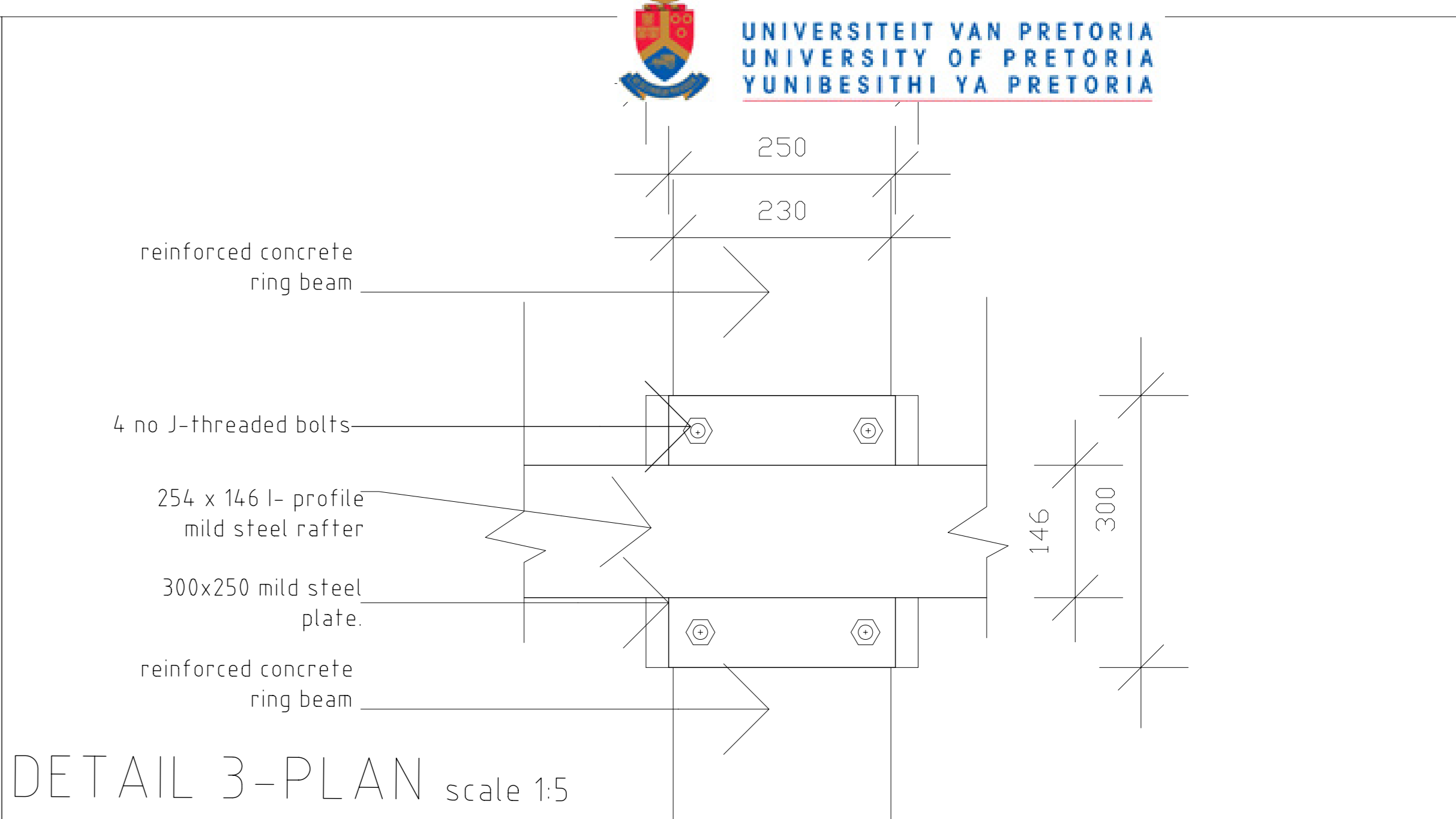
ADMINISTRATION



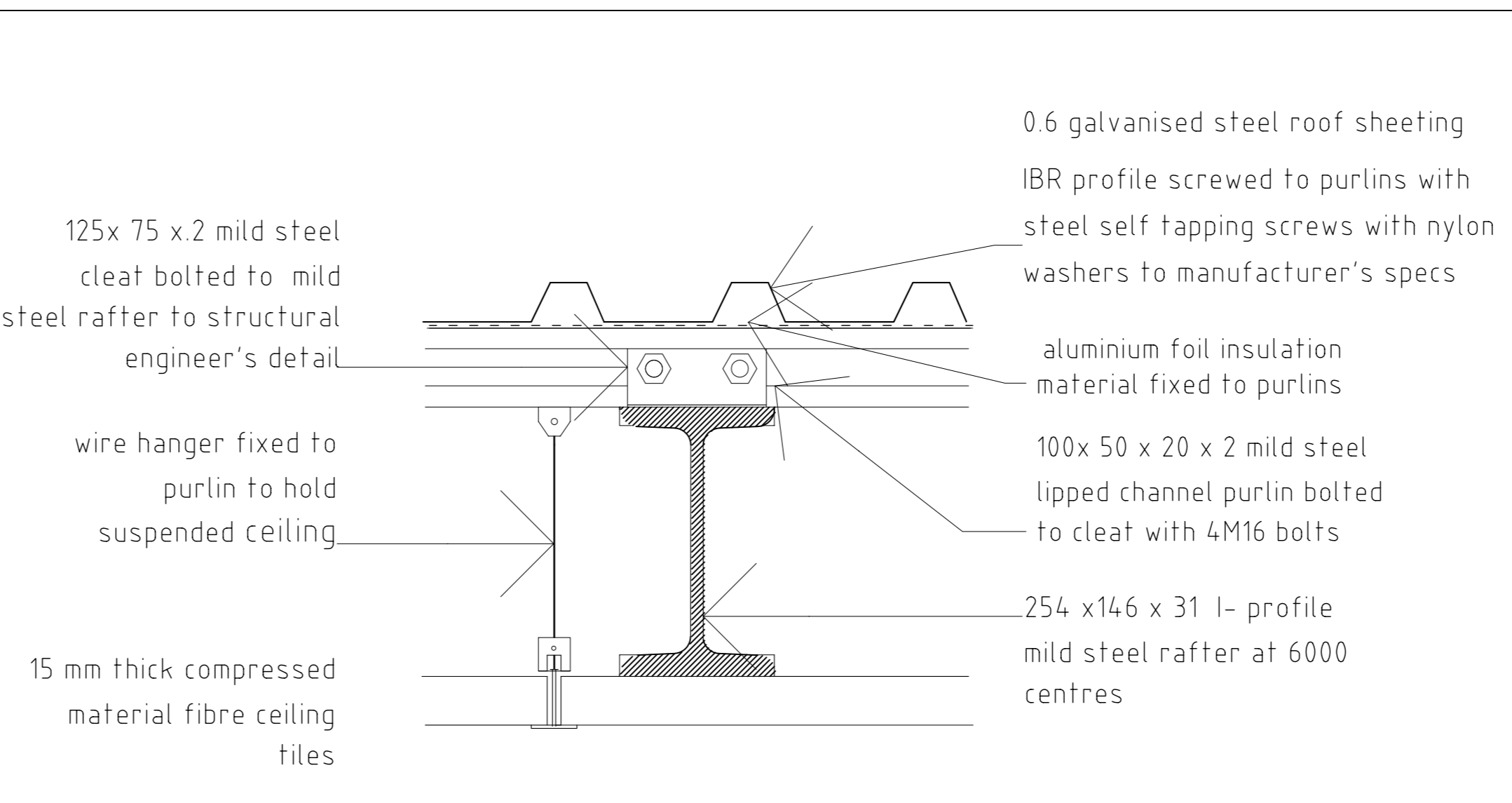
WALL SECTION 2 SCALE 1:20



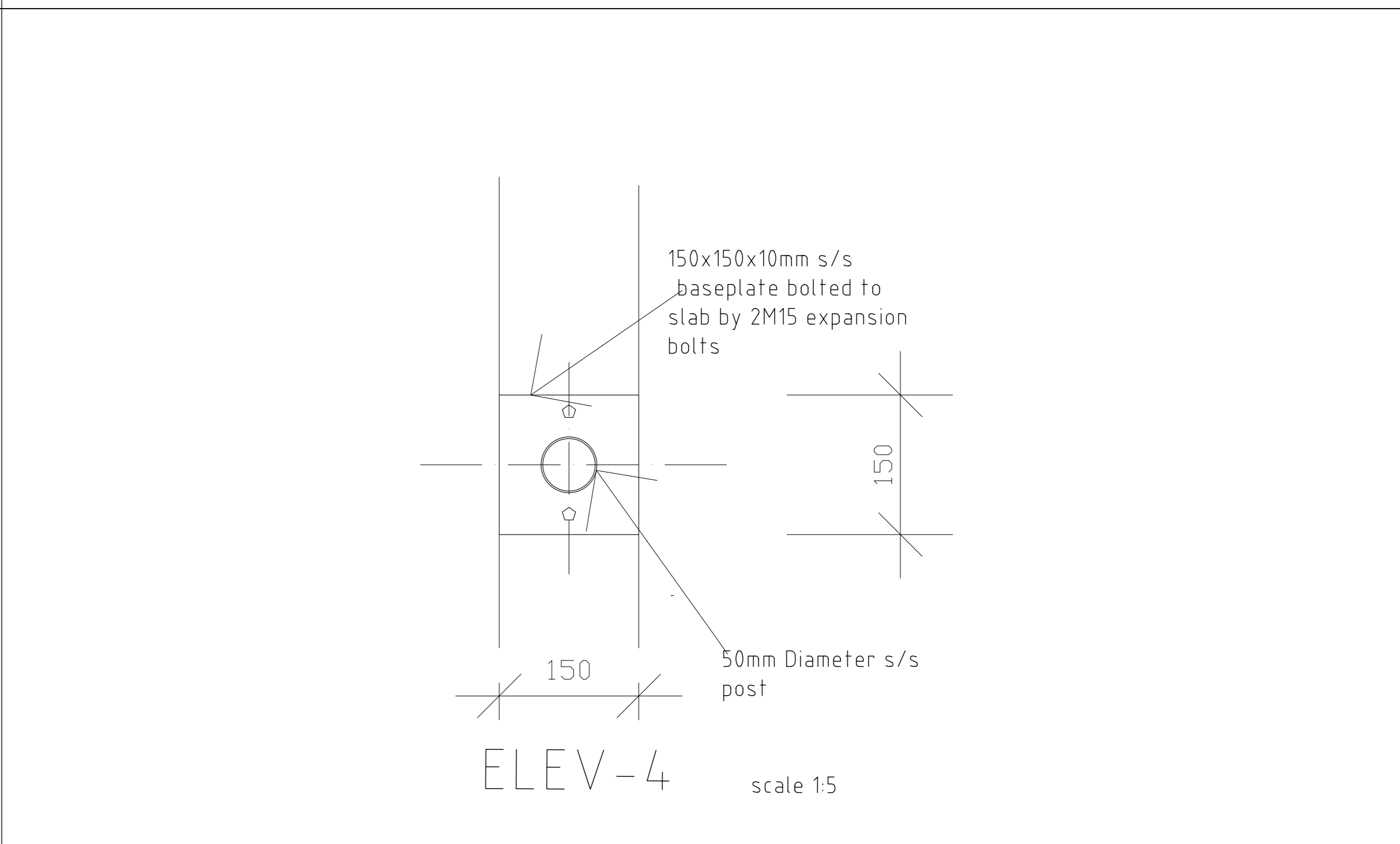
DETAIL 2-5 scale 1:10



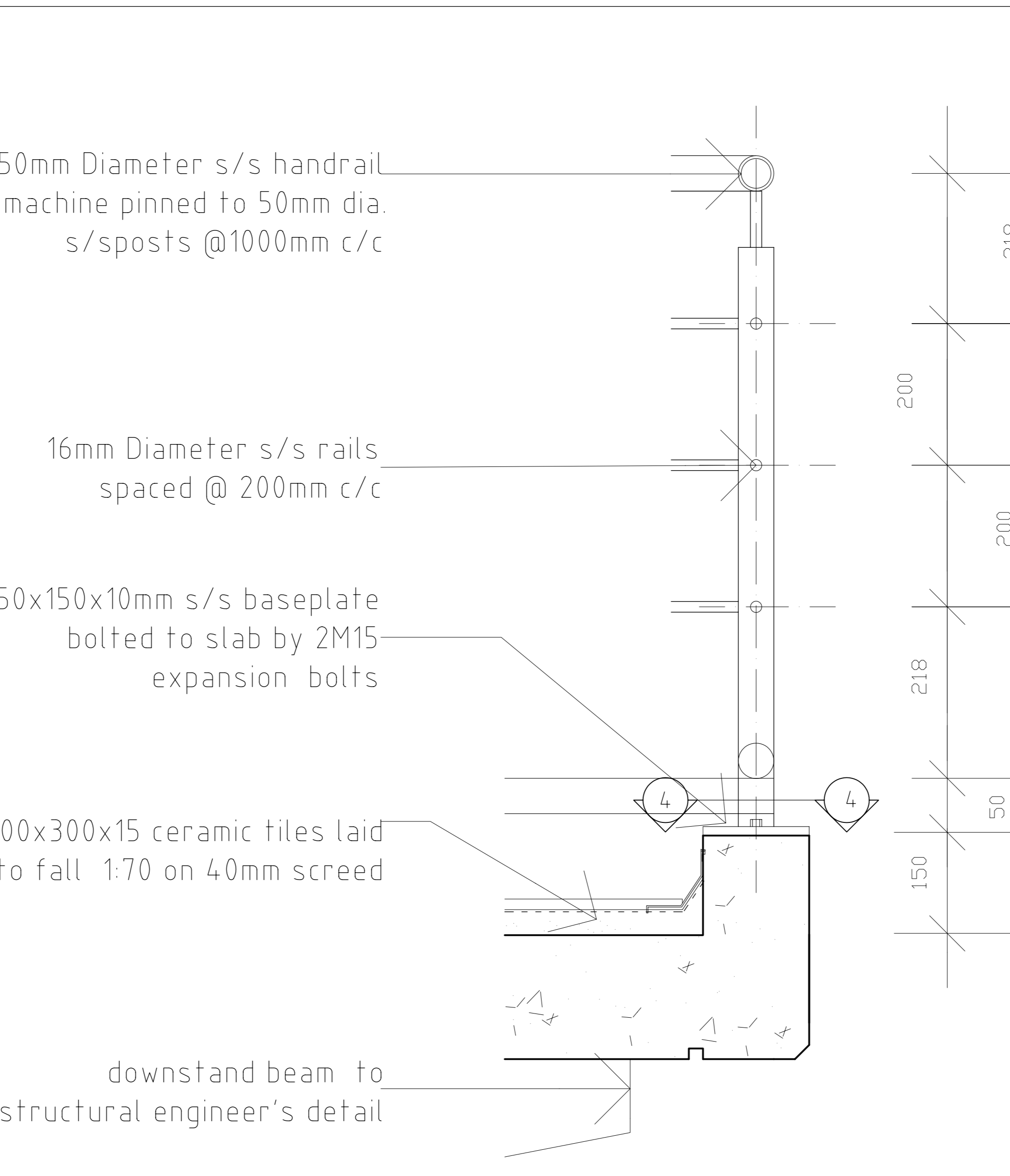
DETAIL 3-PLAN scale 1:5



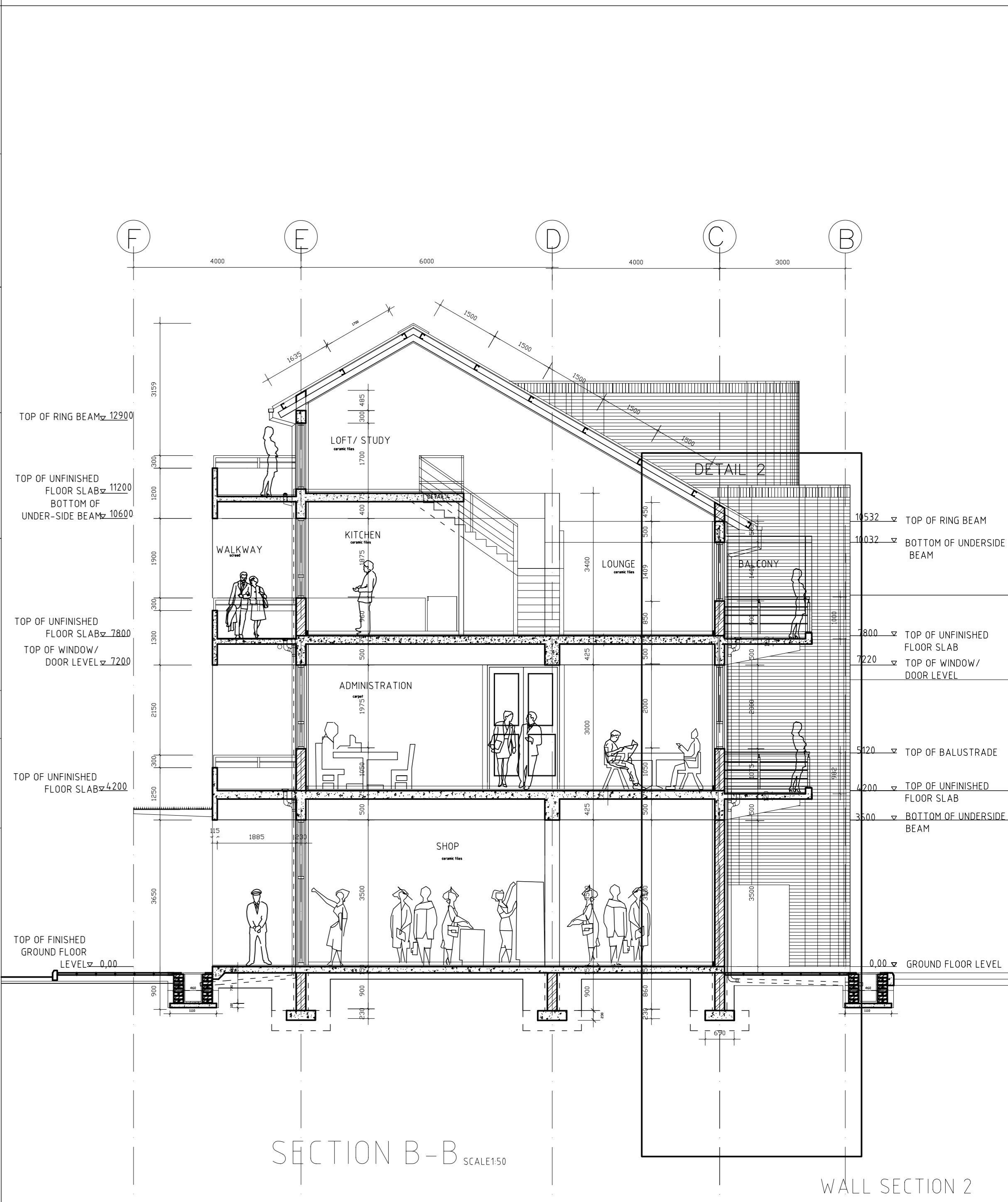
DETAIL 3A-ELEVATION scale 1:5



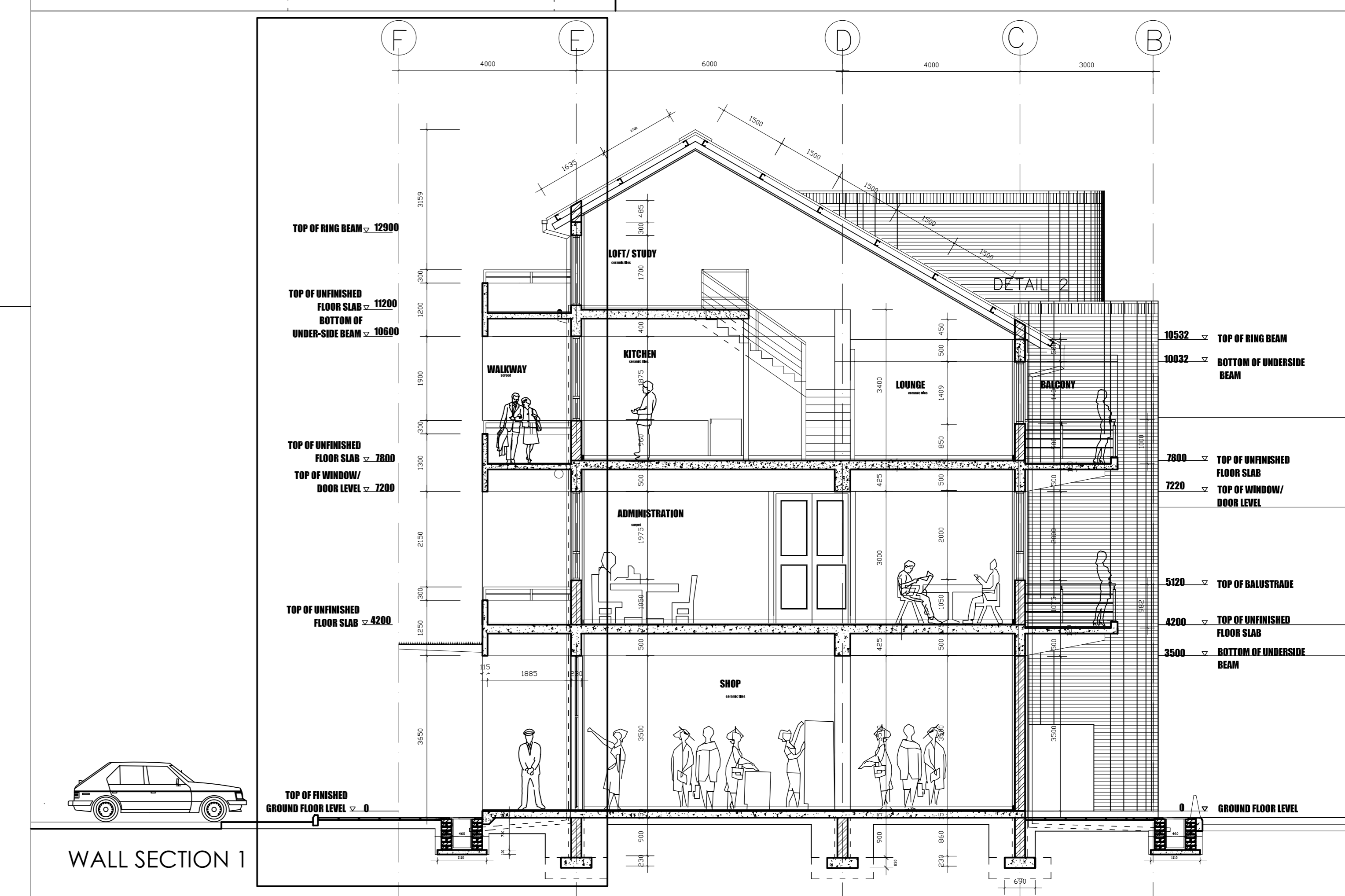
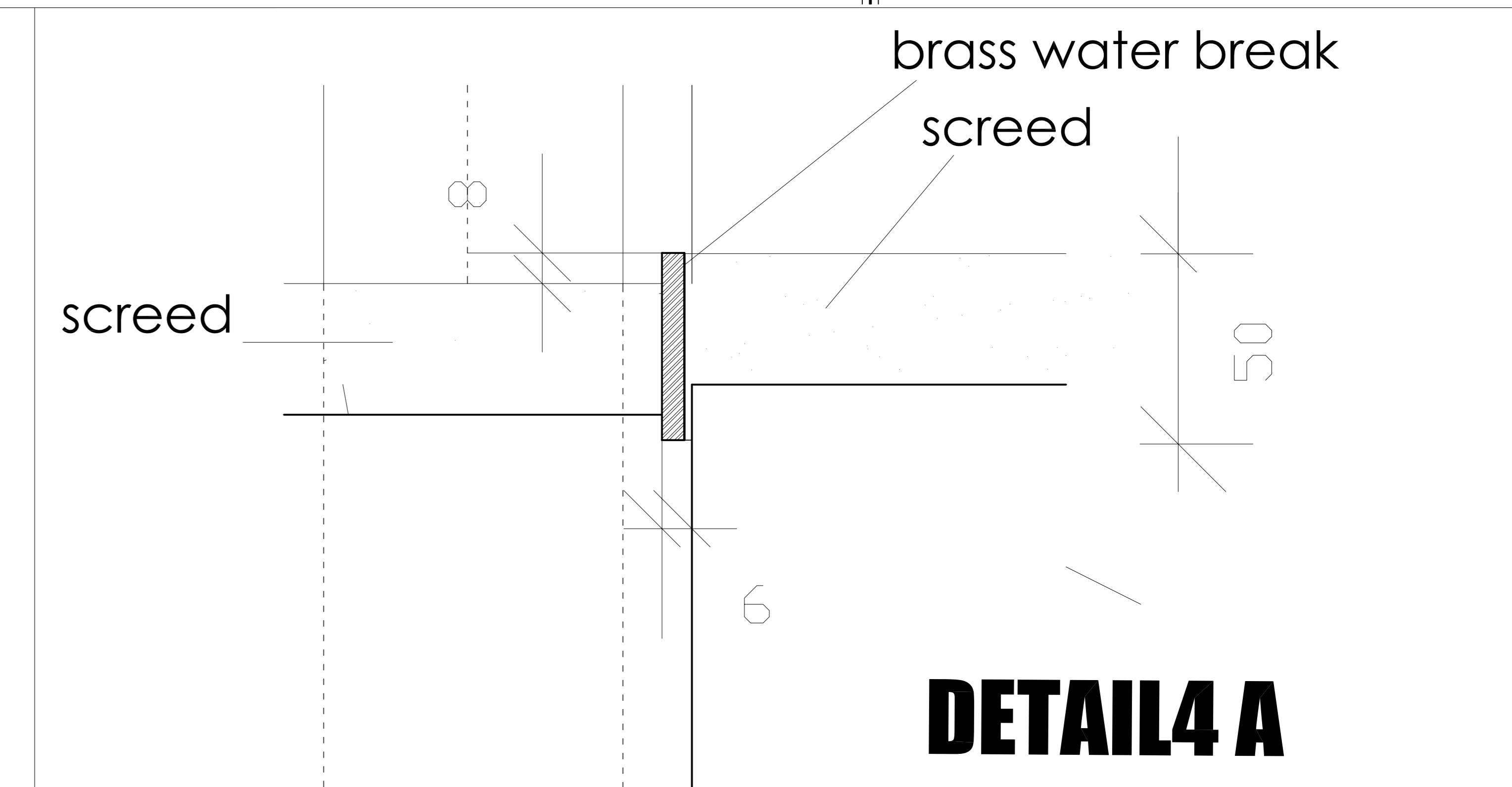
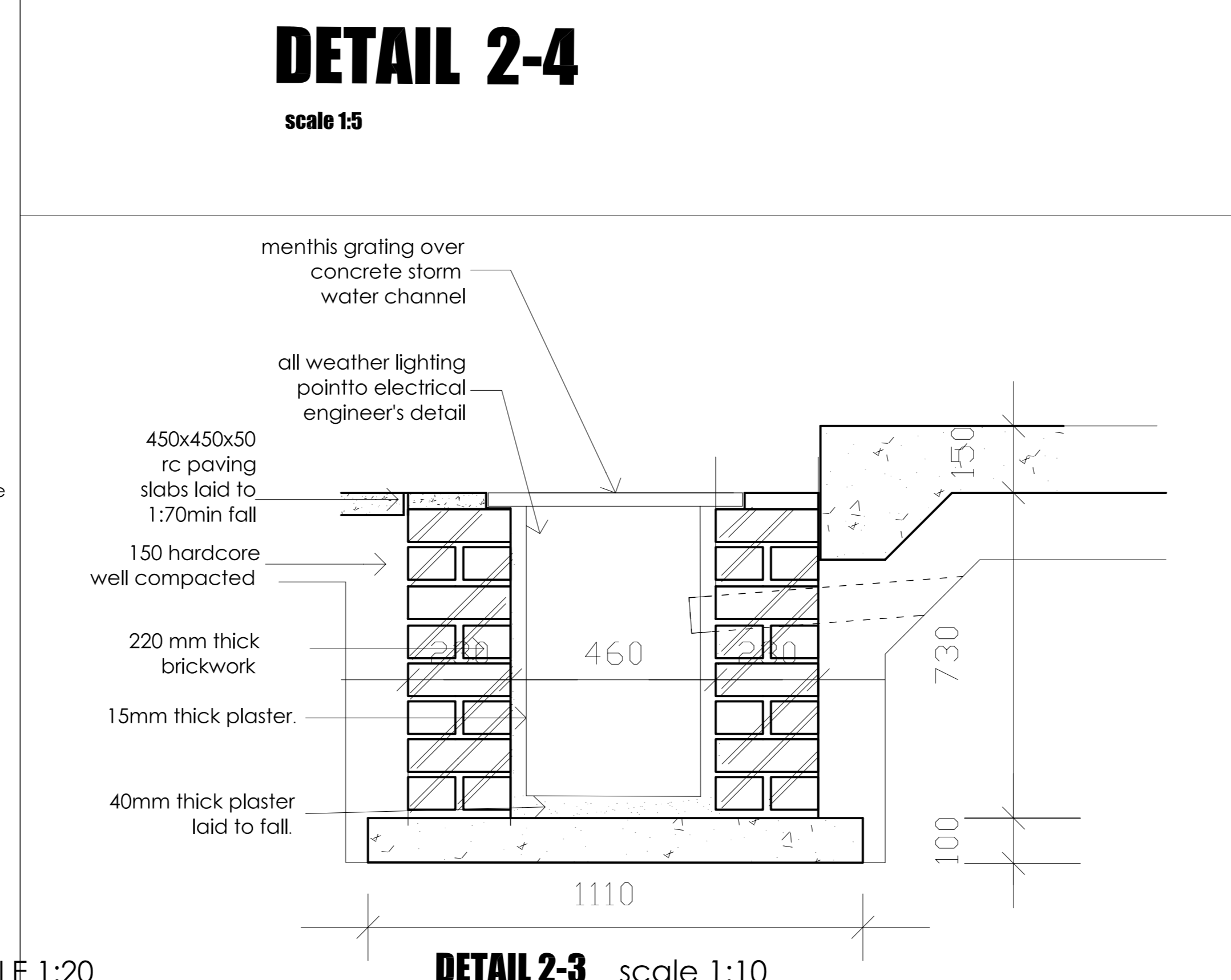
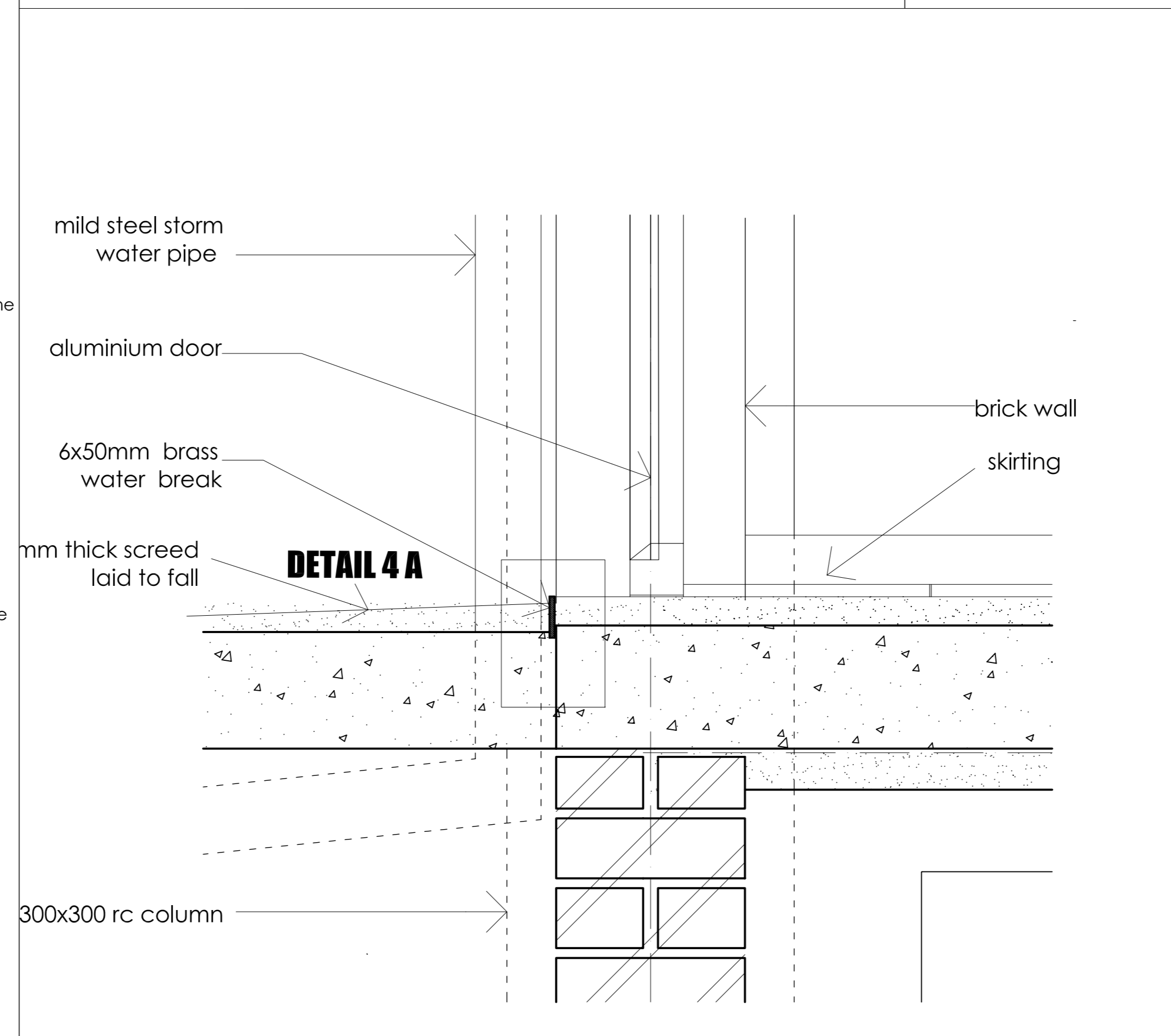
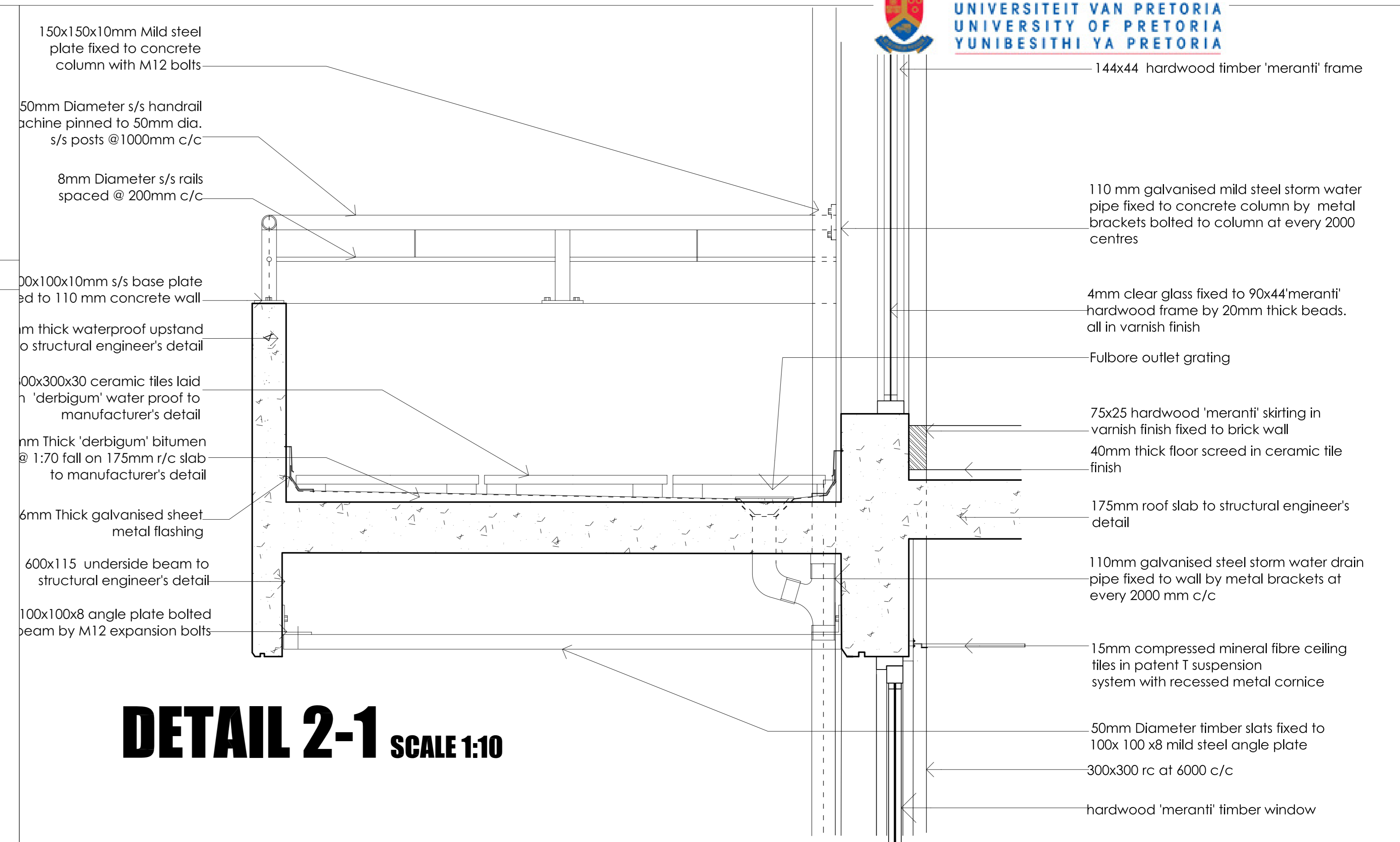
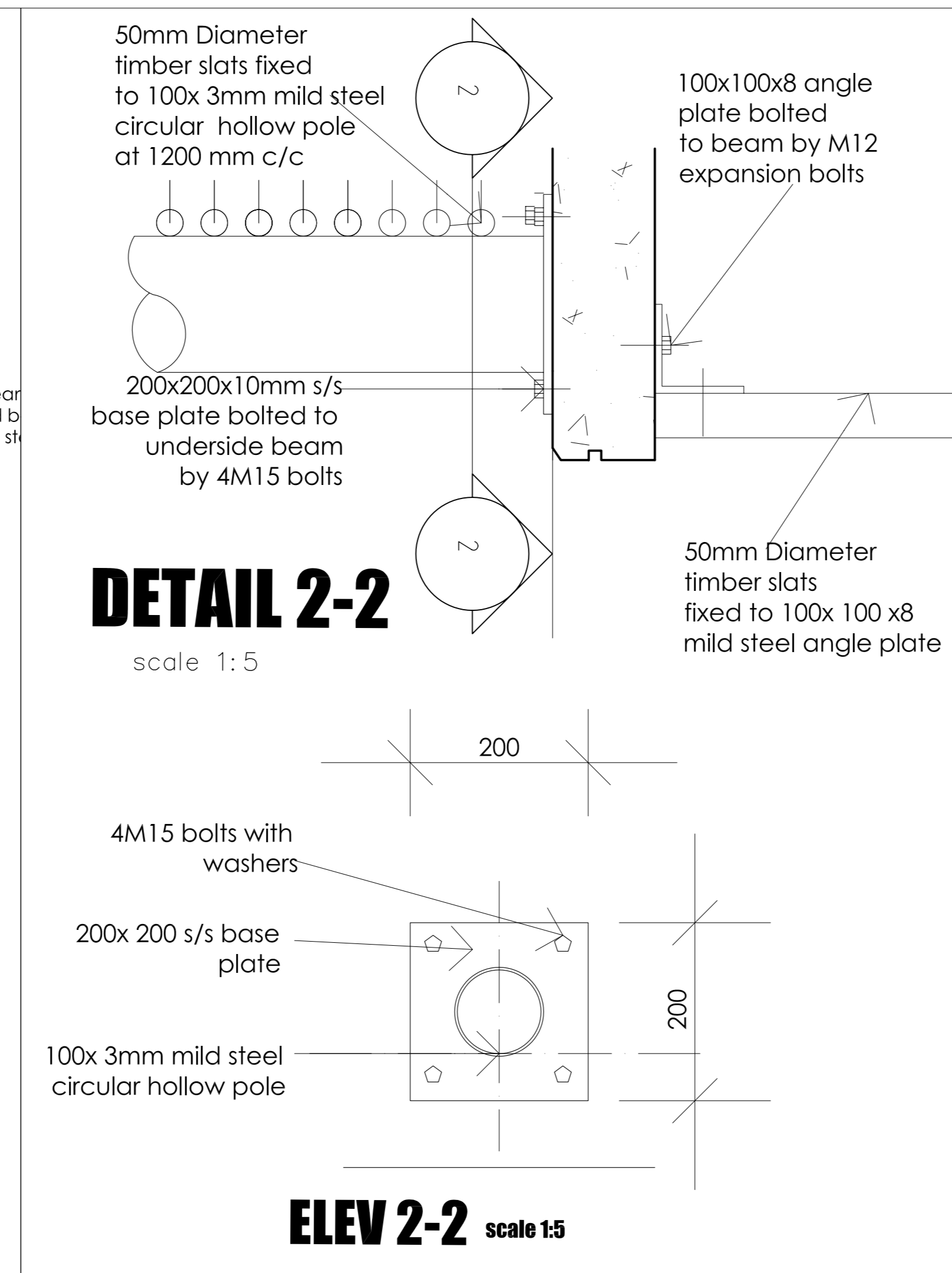
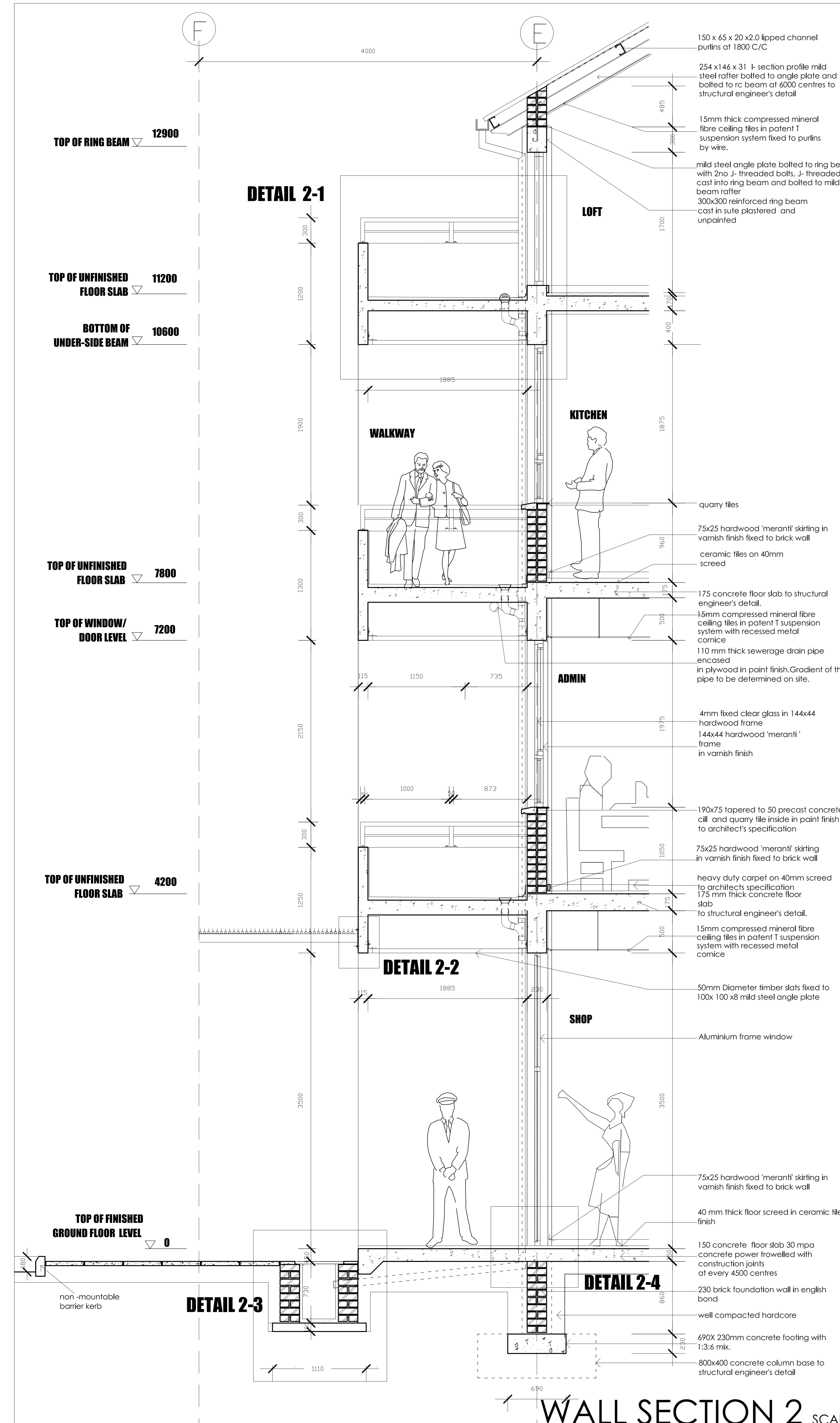
ELEV-4 scale 1:5

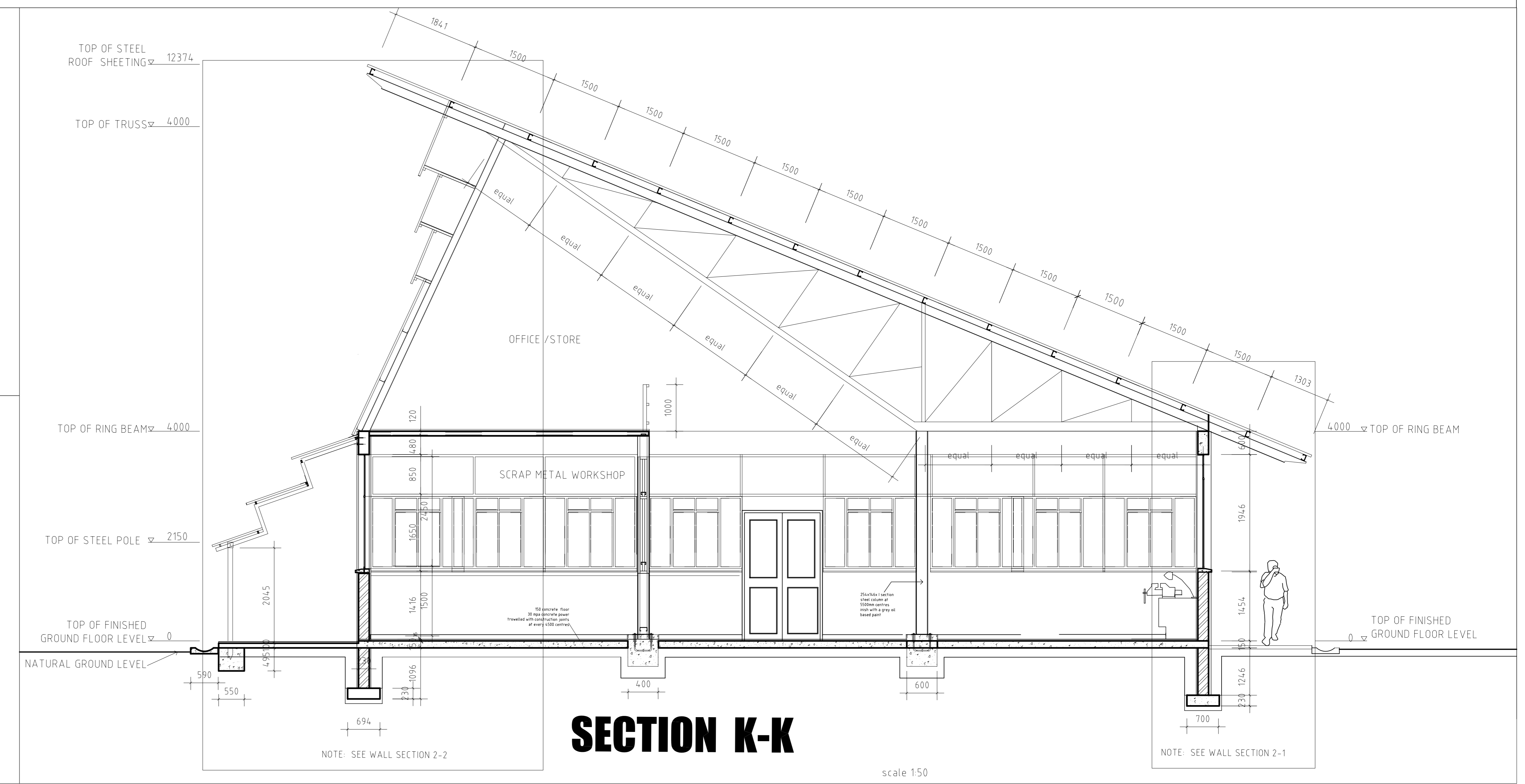
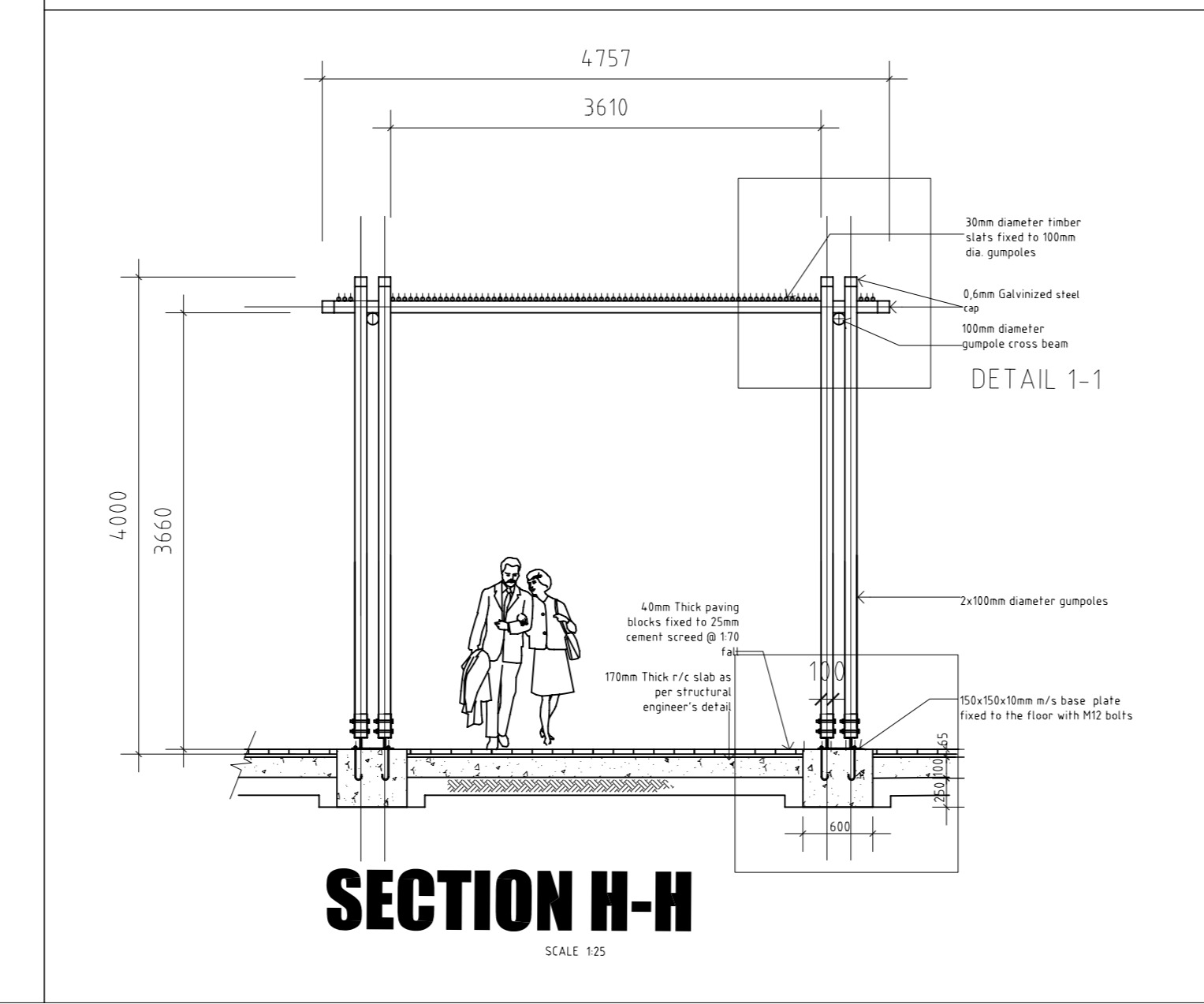
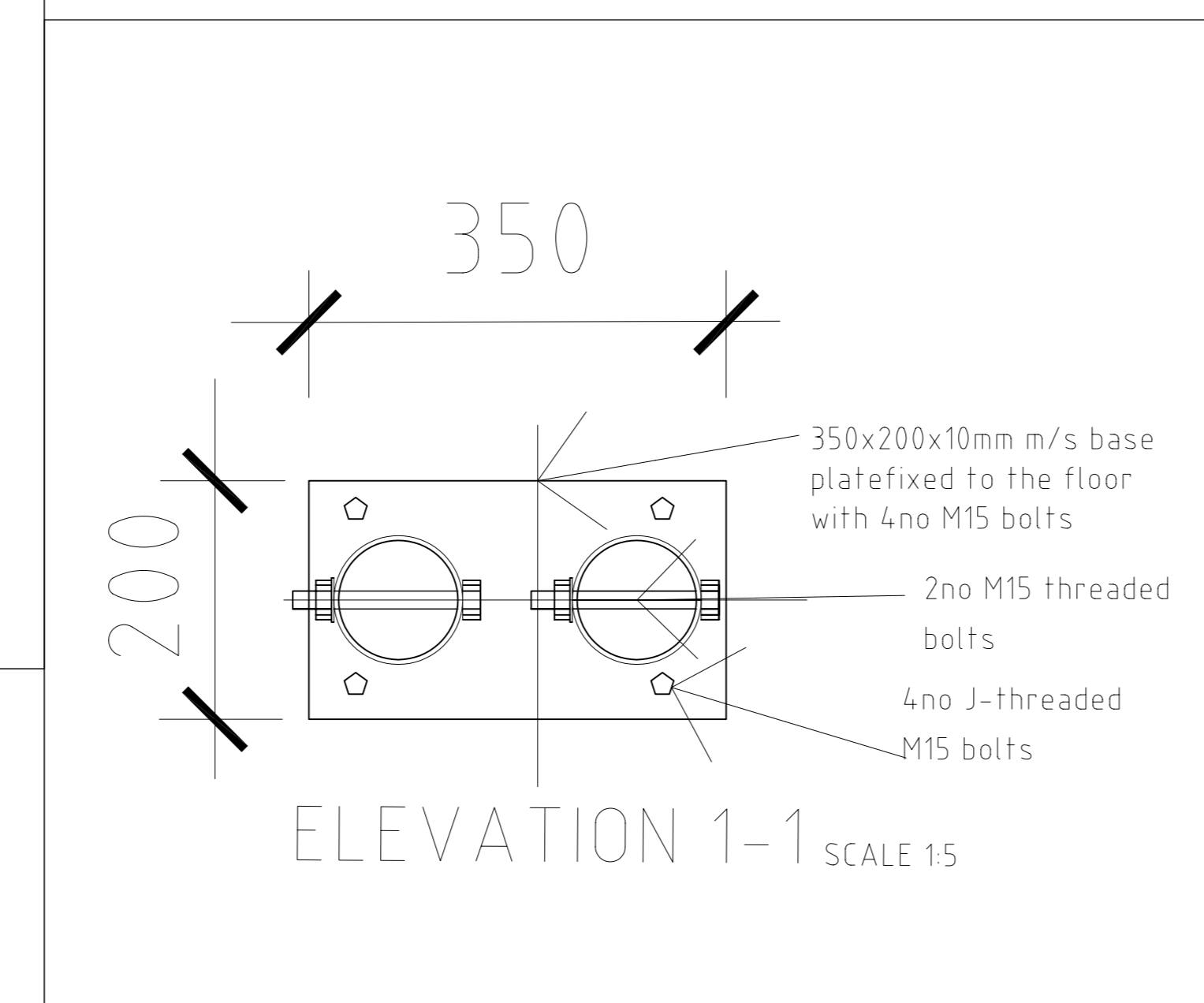
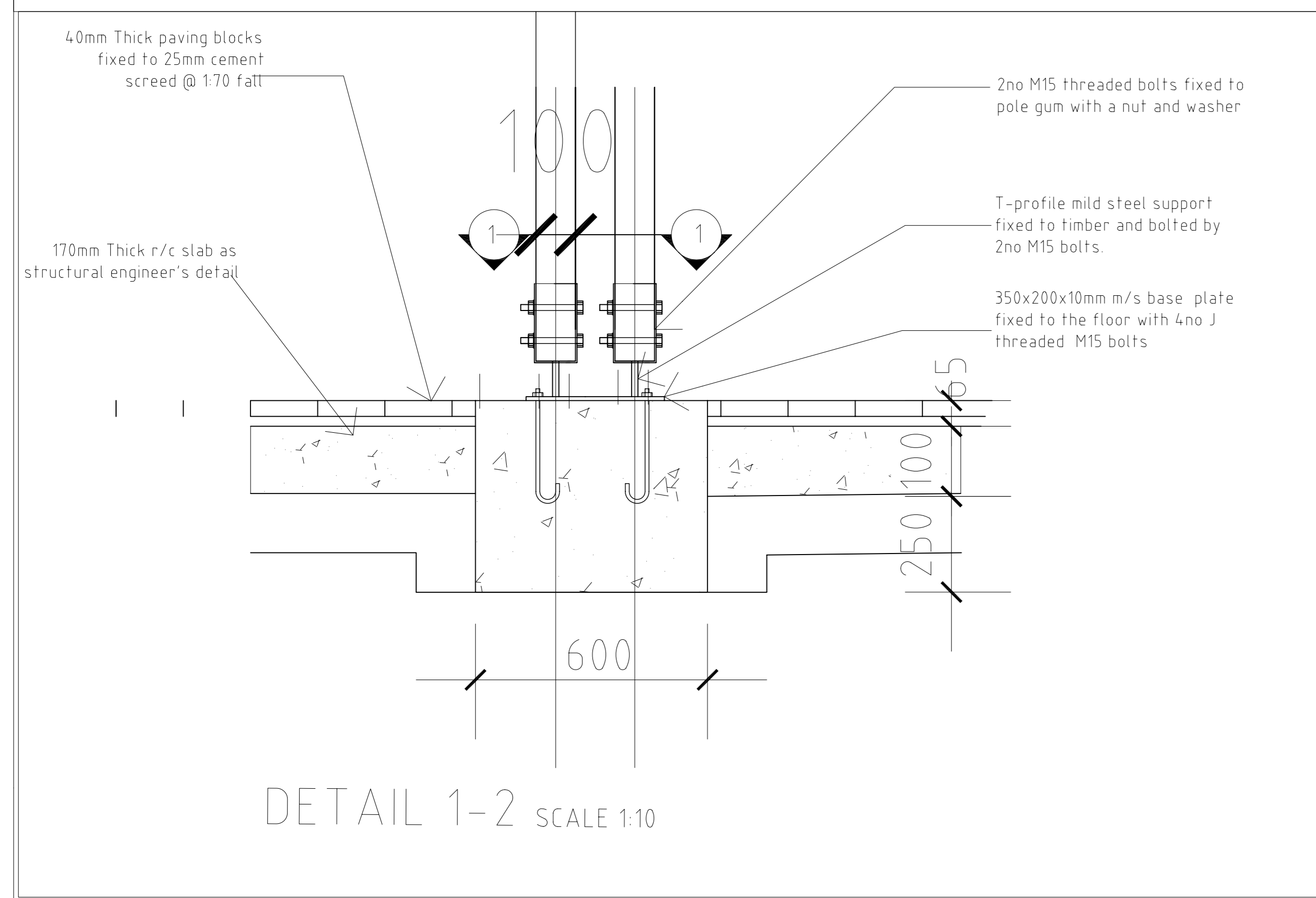
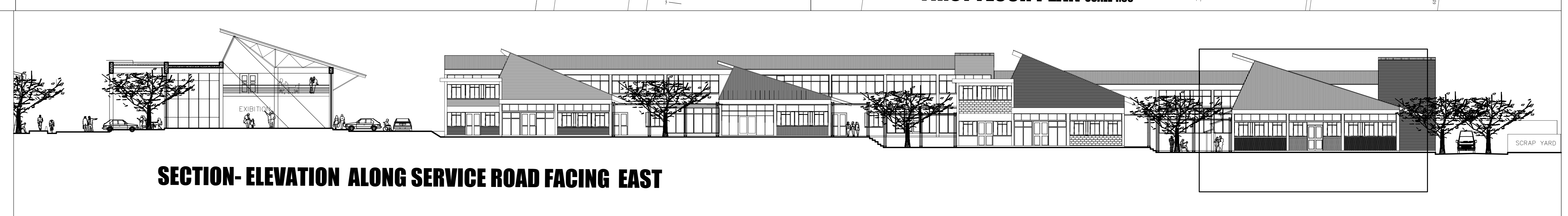
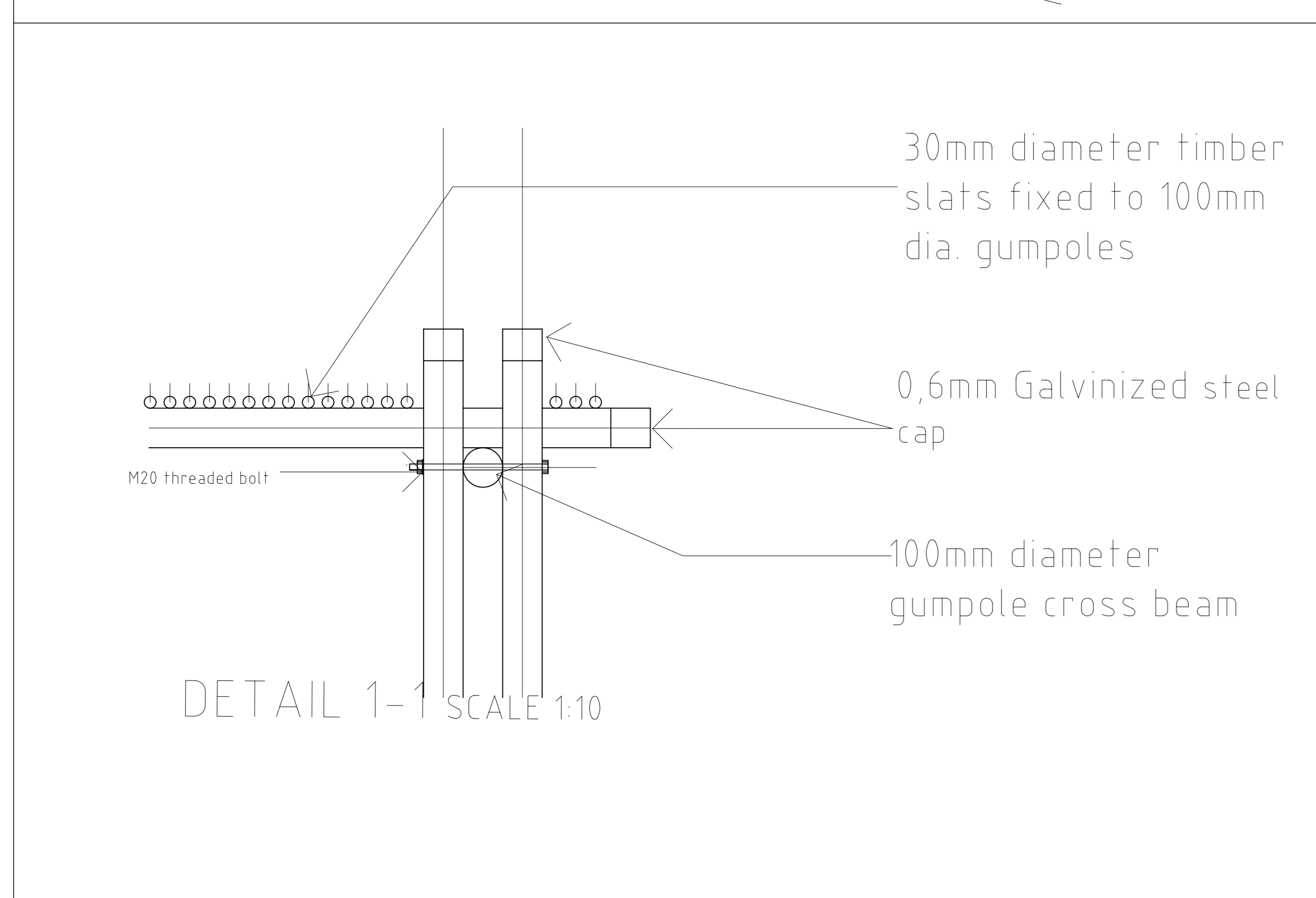
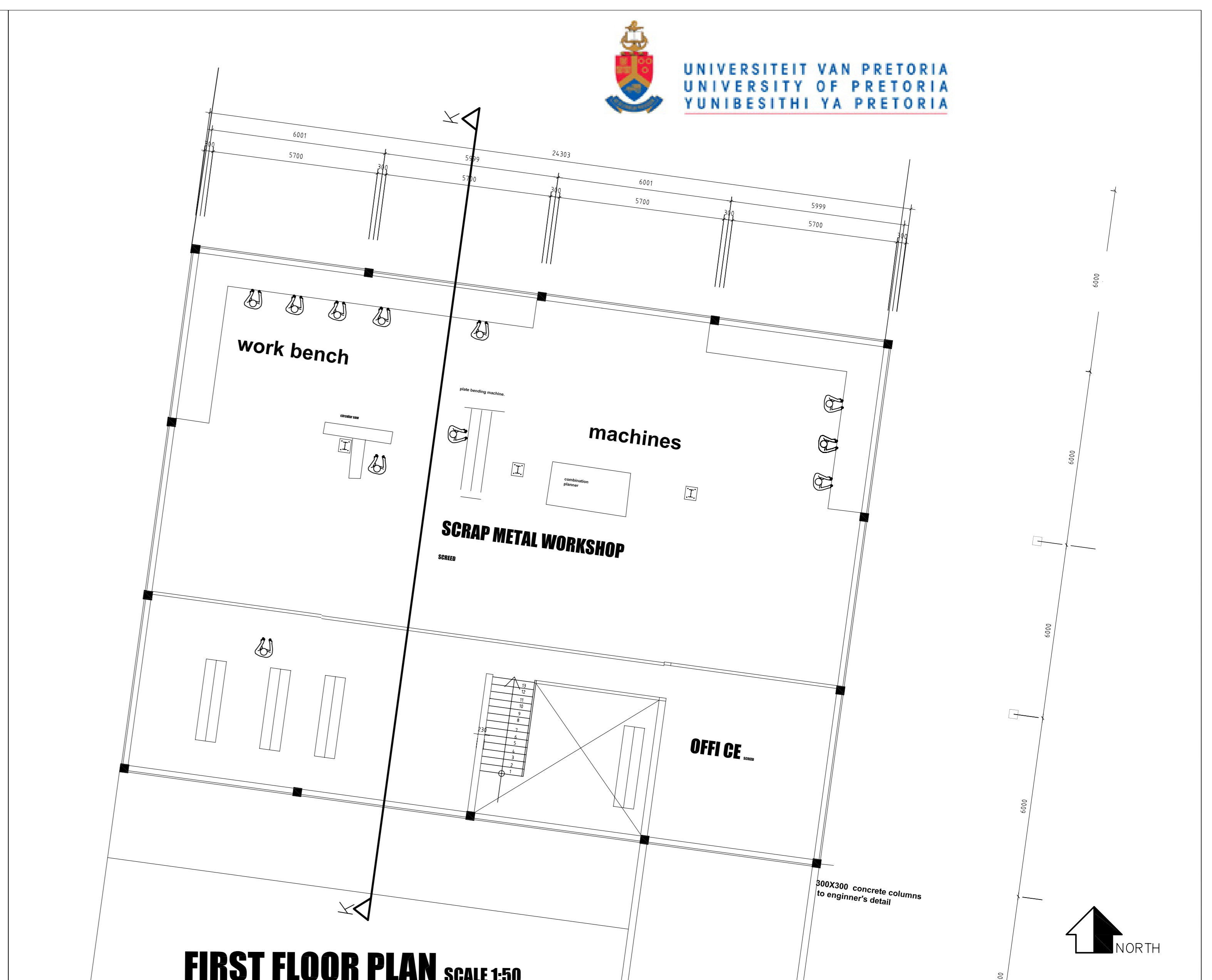
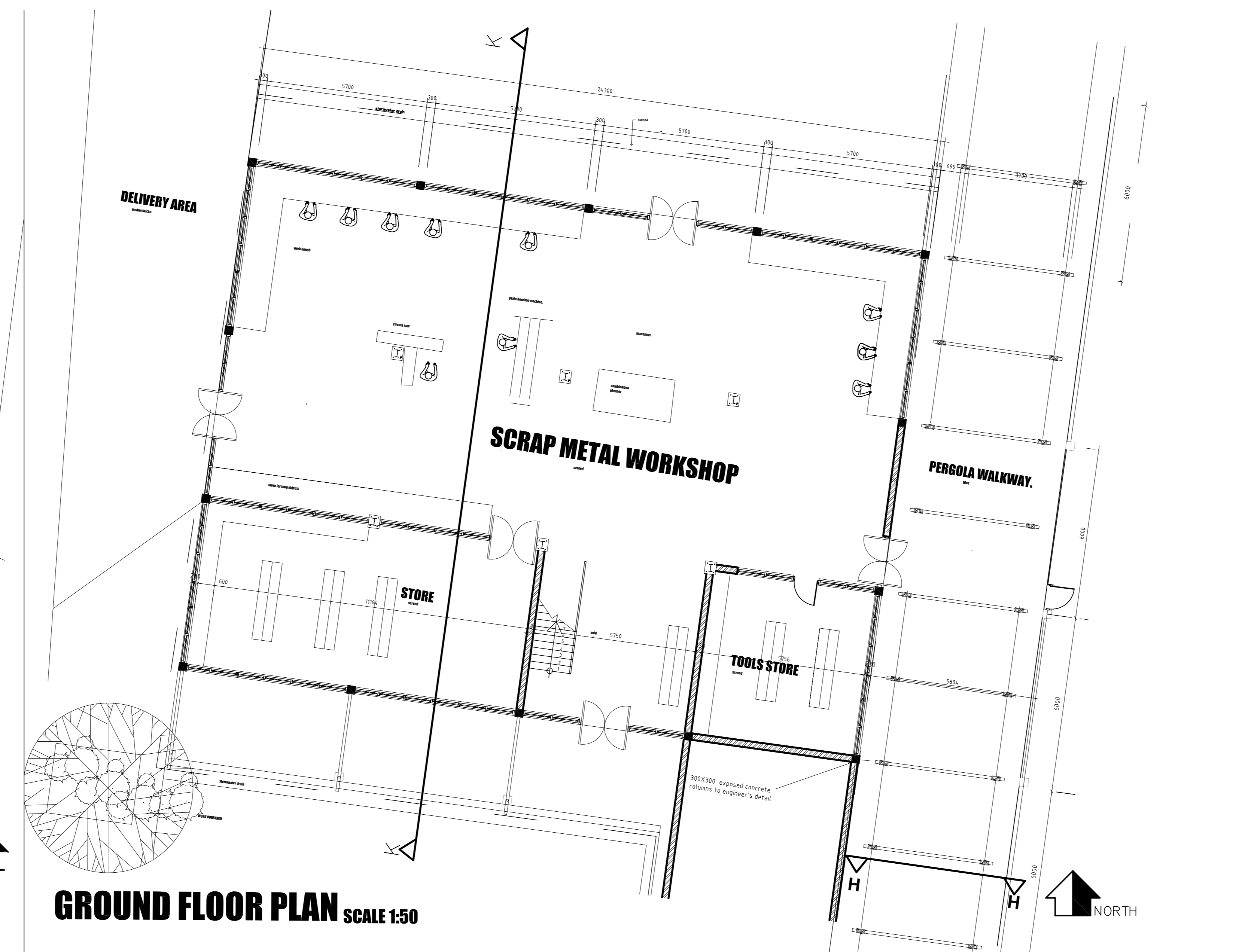


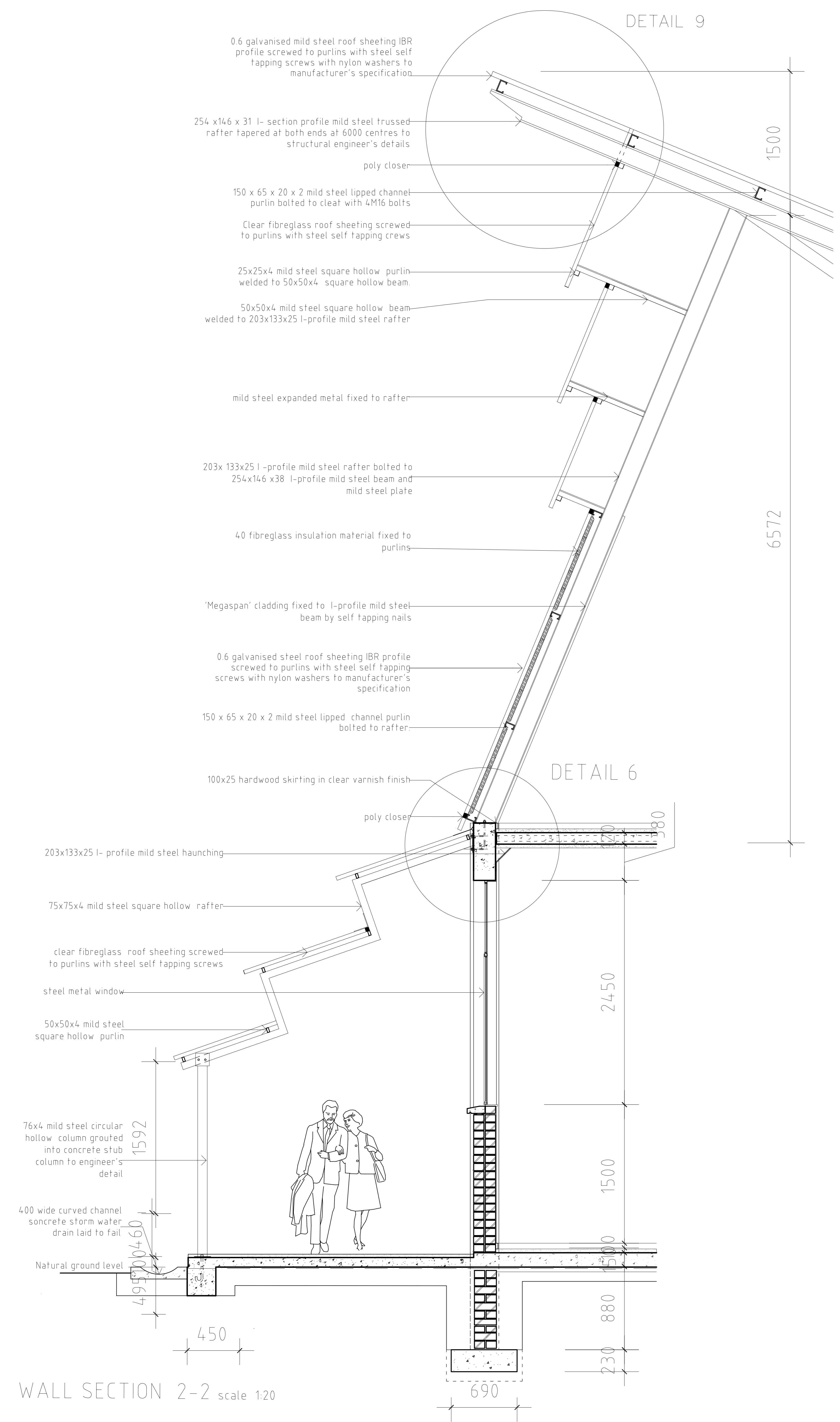
DETAIL 2-7 scale 1:5



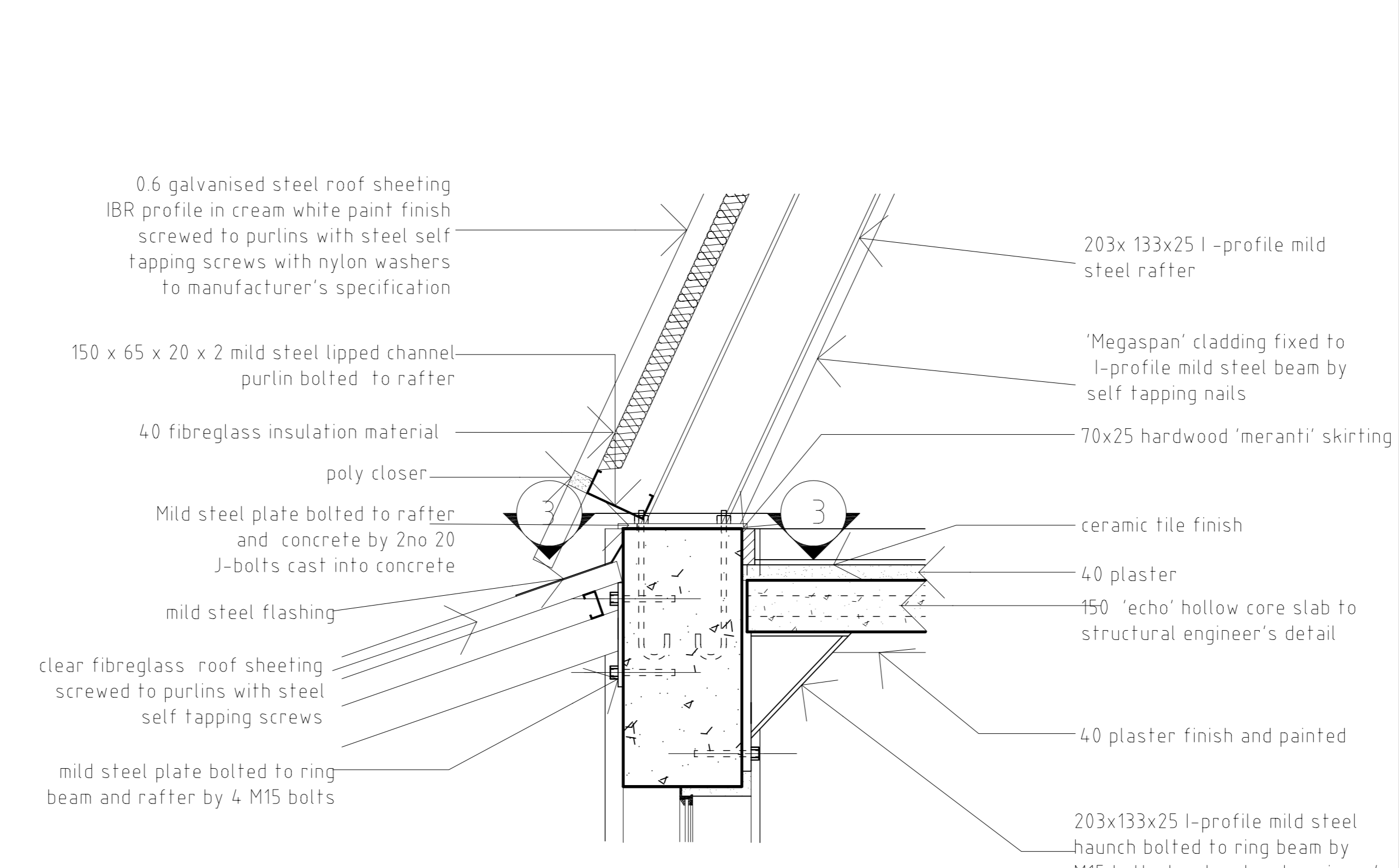
SECTION B-B SCALE 1:50



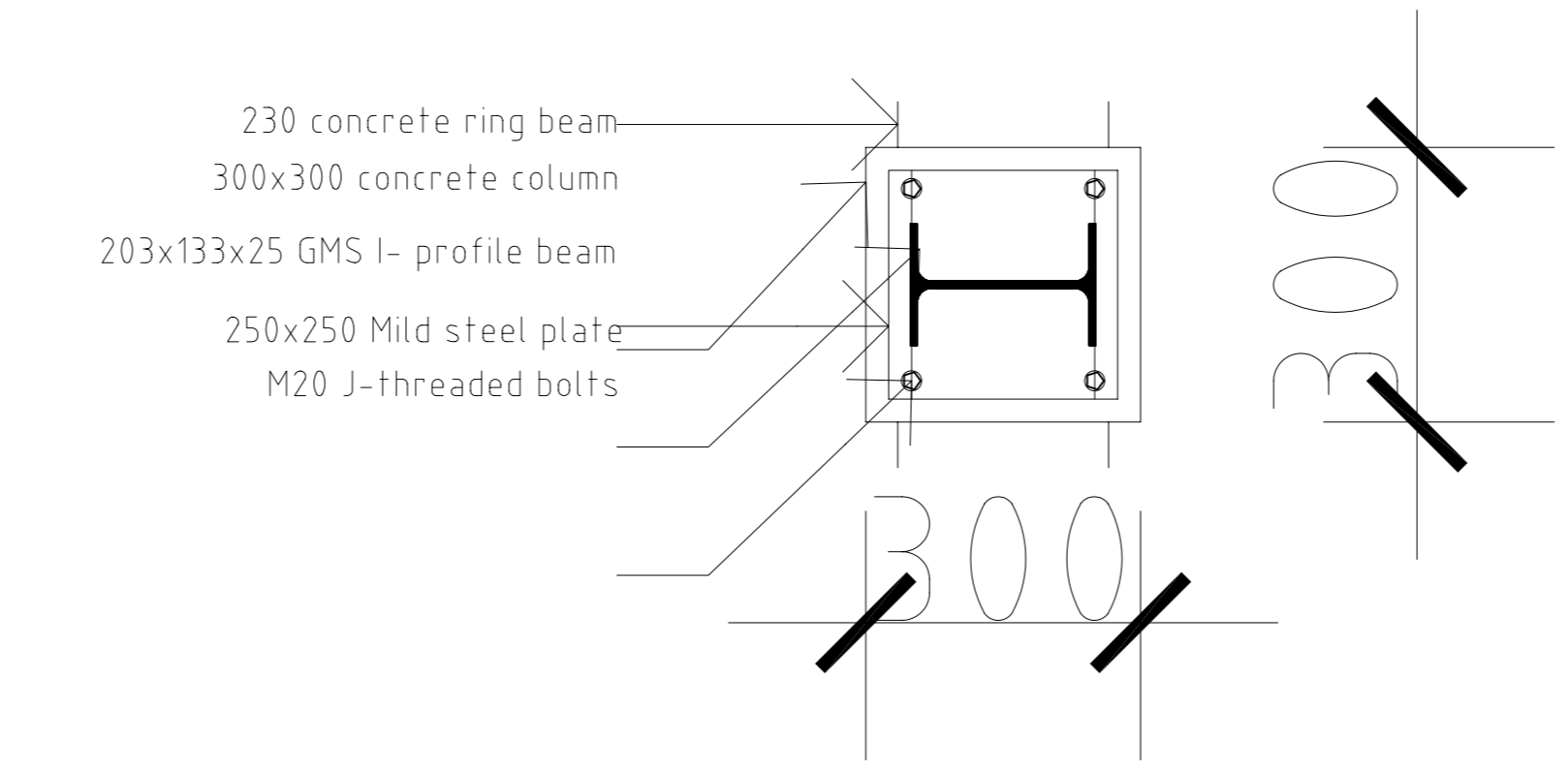




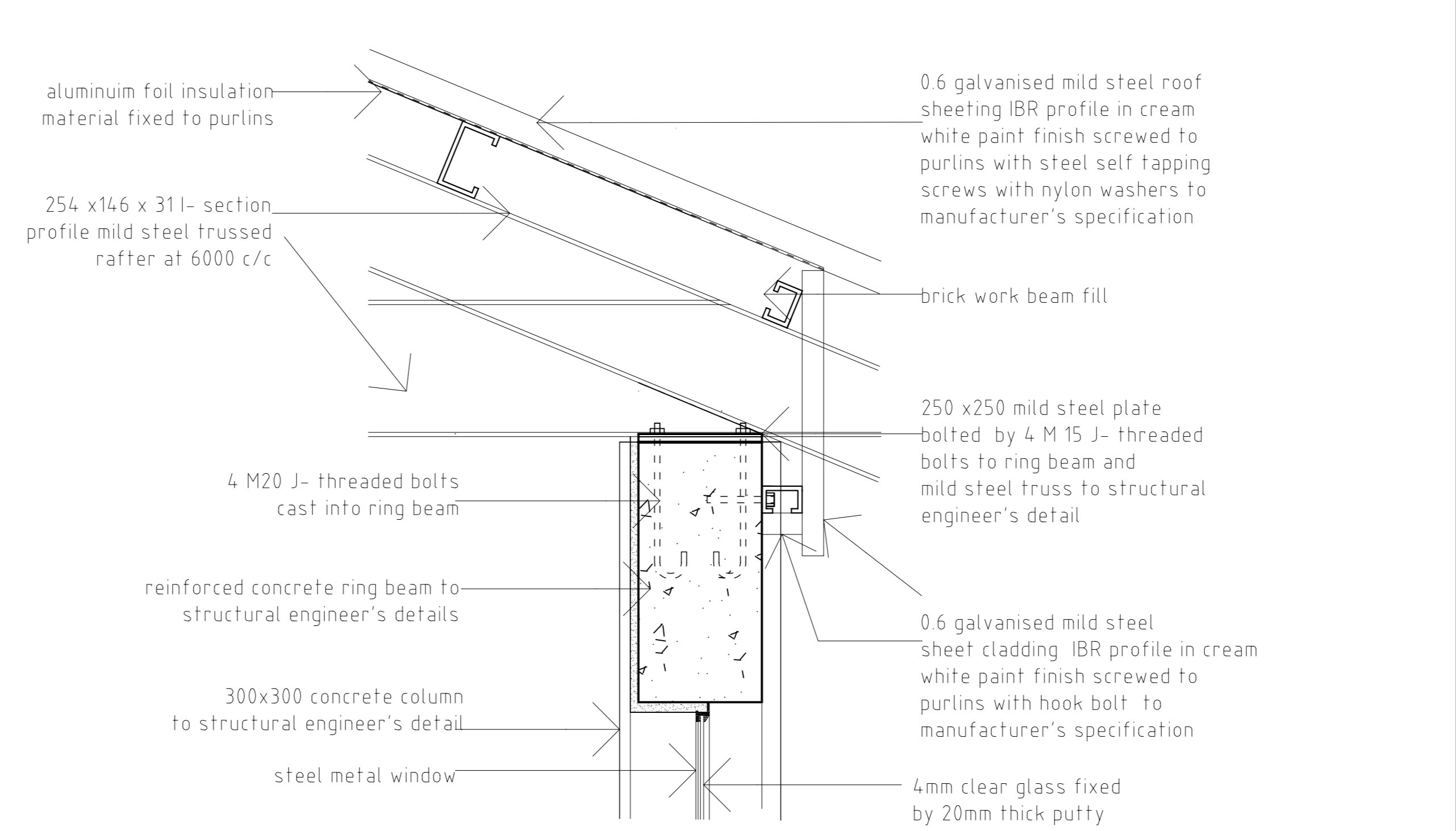
WALL SECTION 2-2 scale 1:20



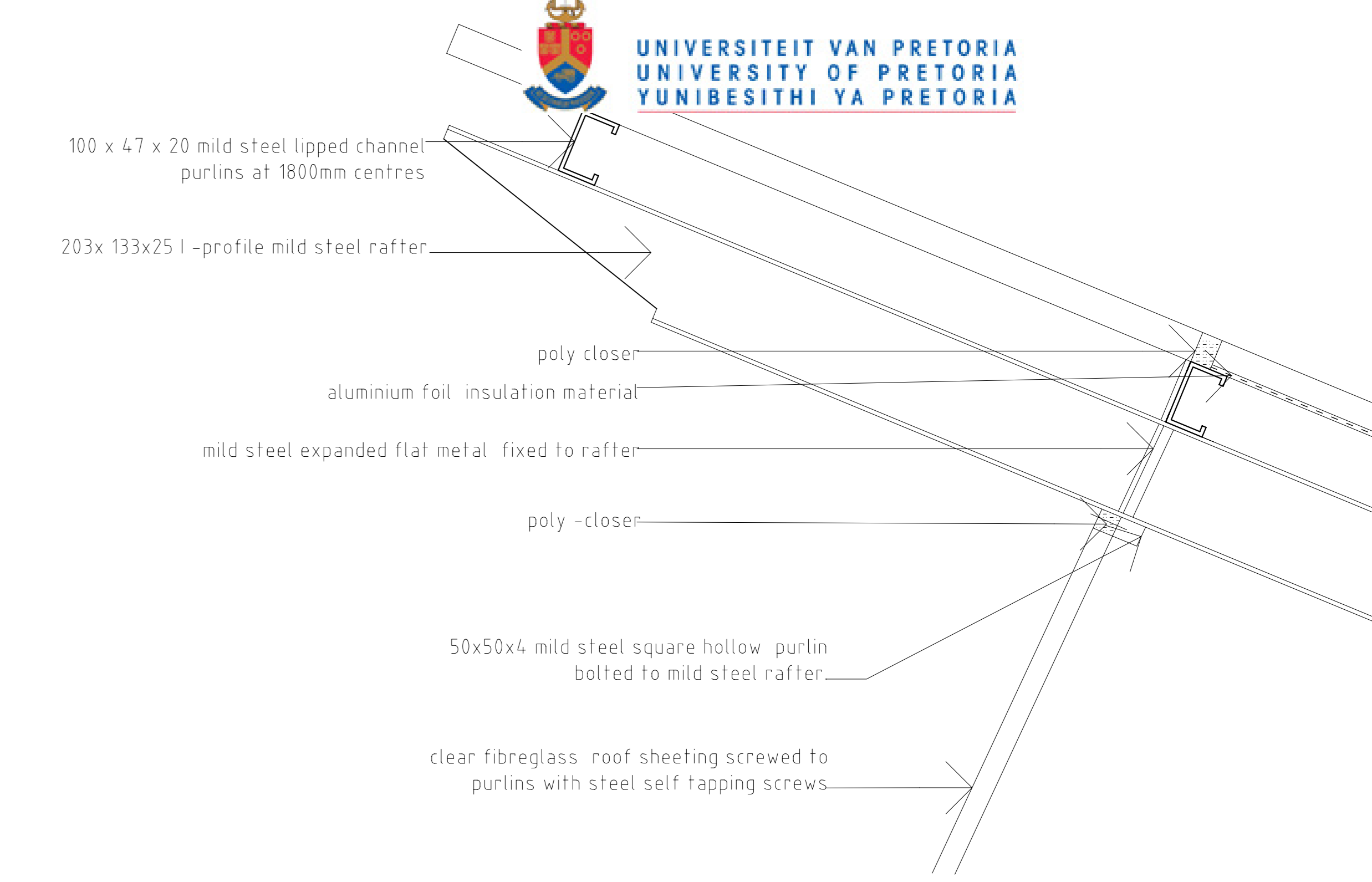
DETAIL 6 scale 1:10



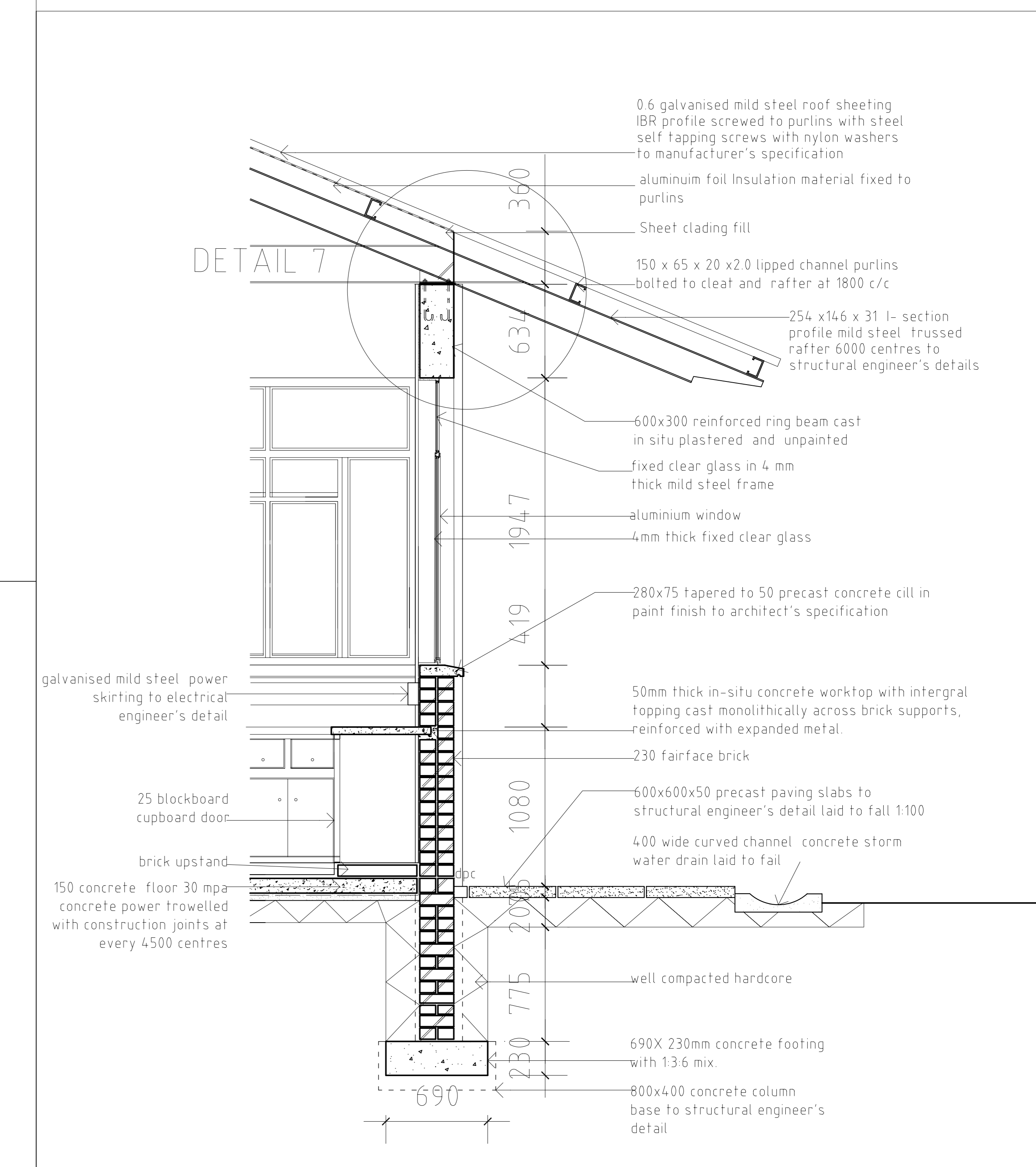
ELEVATION 3-3



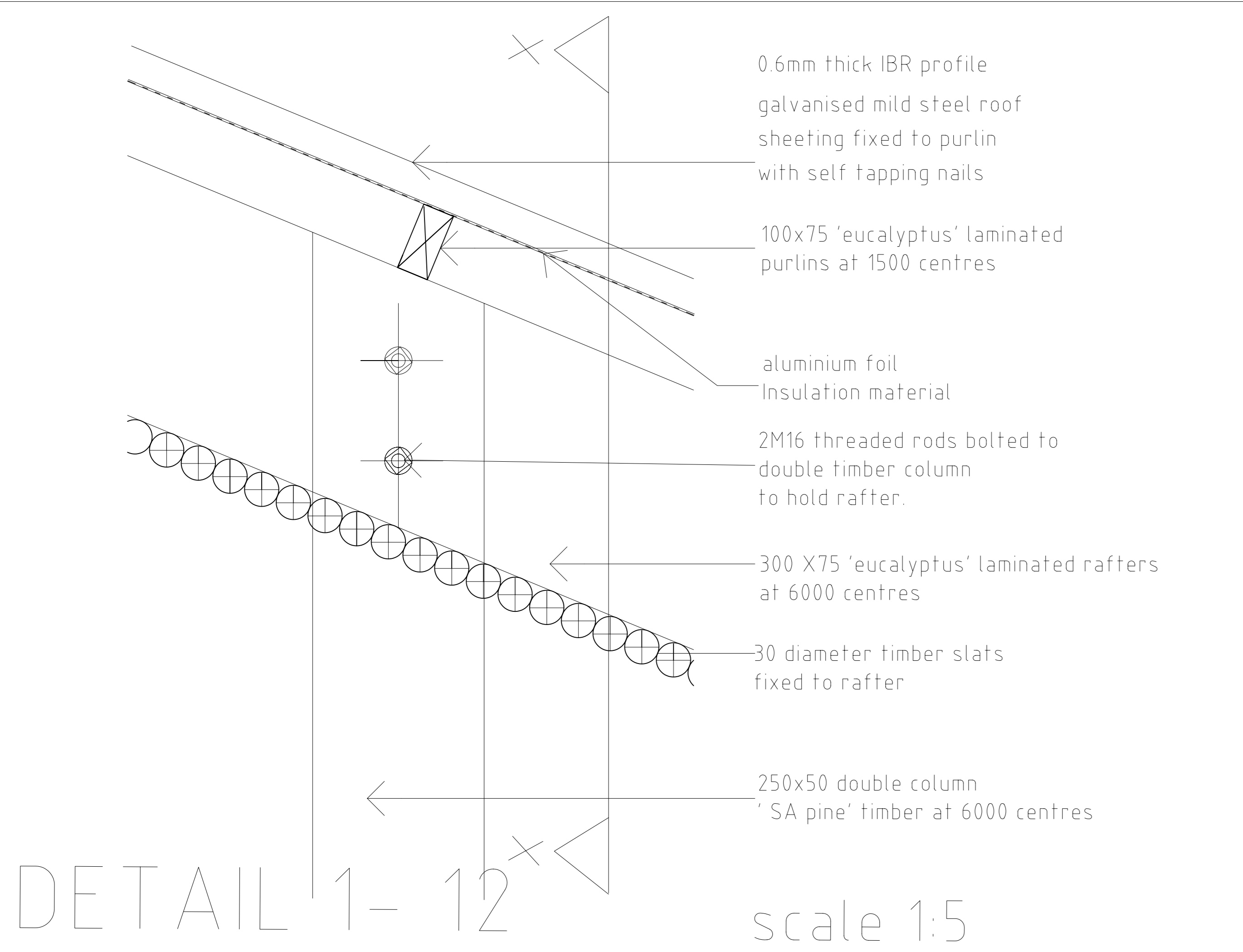
DETAIL 7 scale 1:10



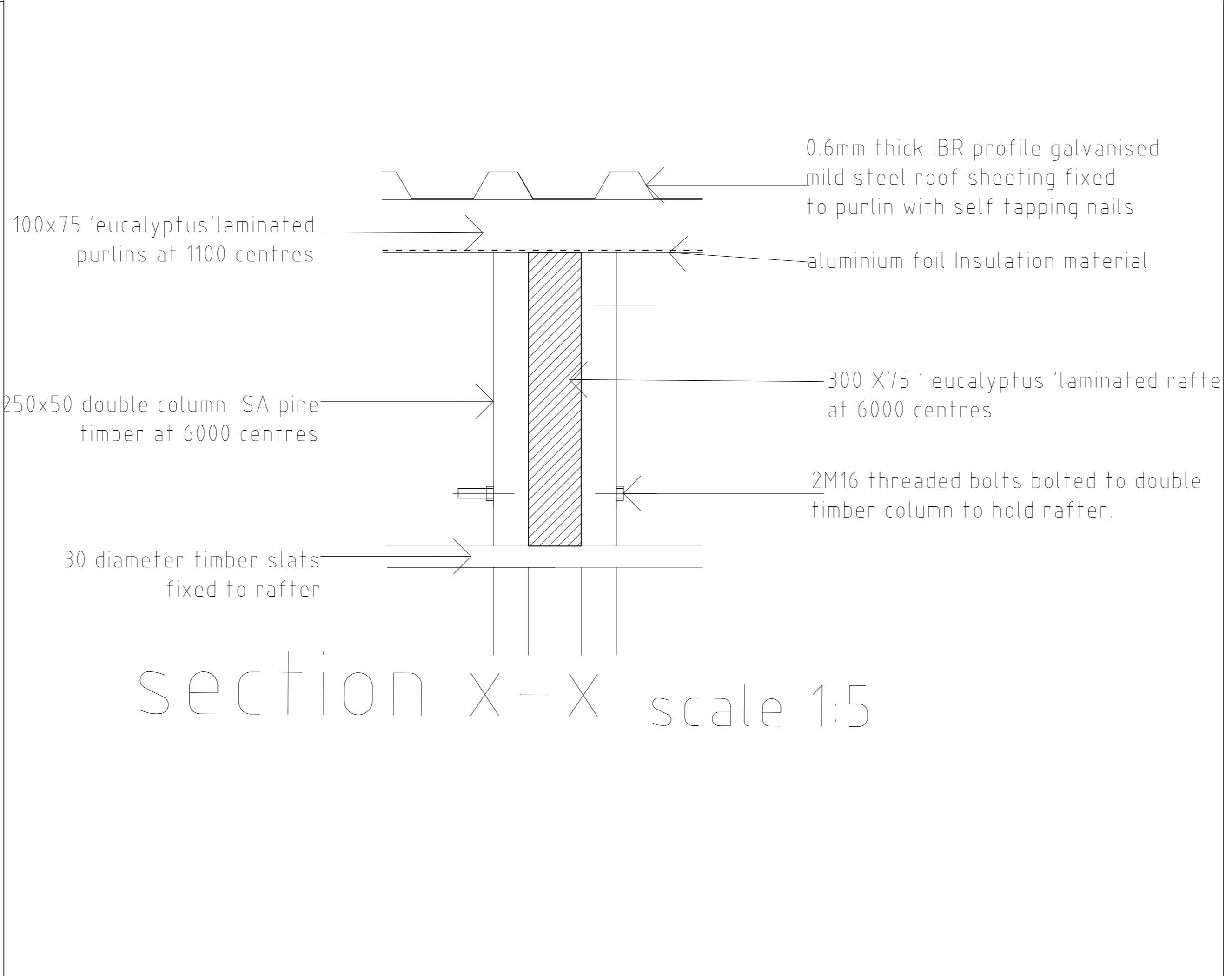
DETAIL 9 SCALE 1:10



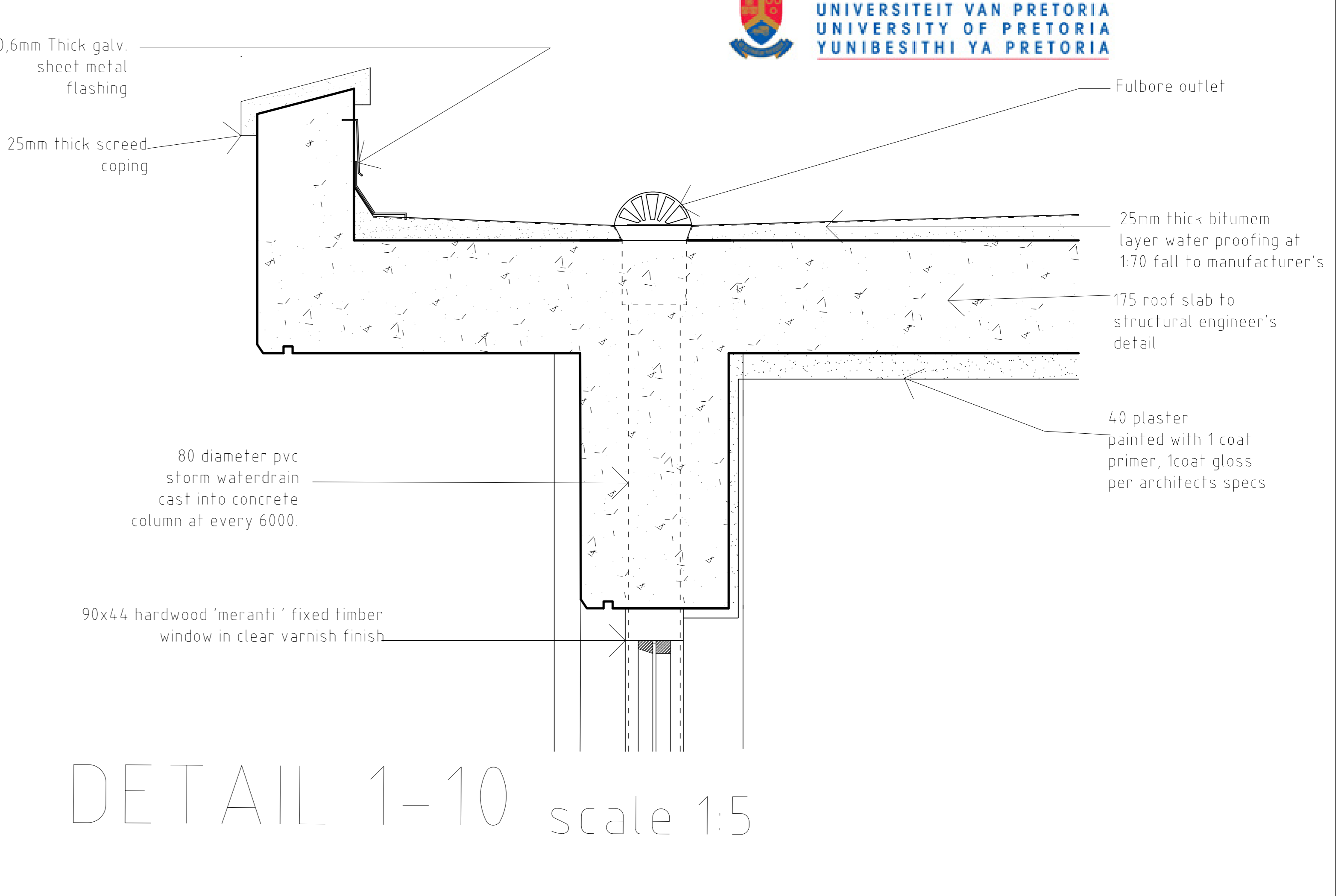
WALL SECTION 2-2 scale 1:20



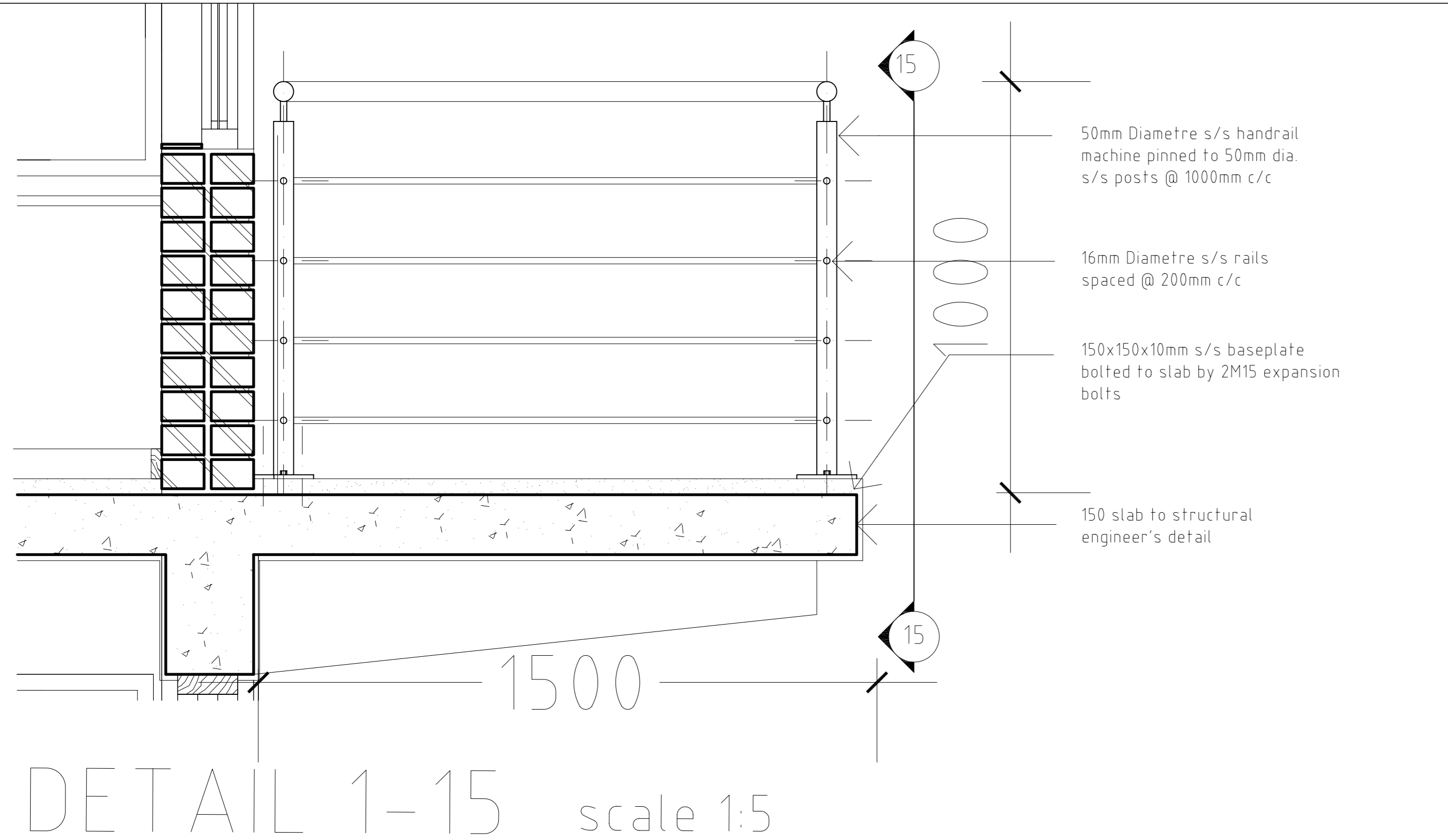
DETAIL 1-12 scale 1:5



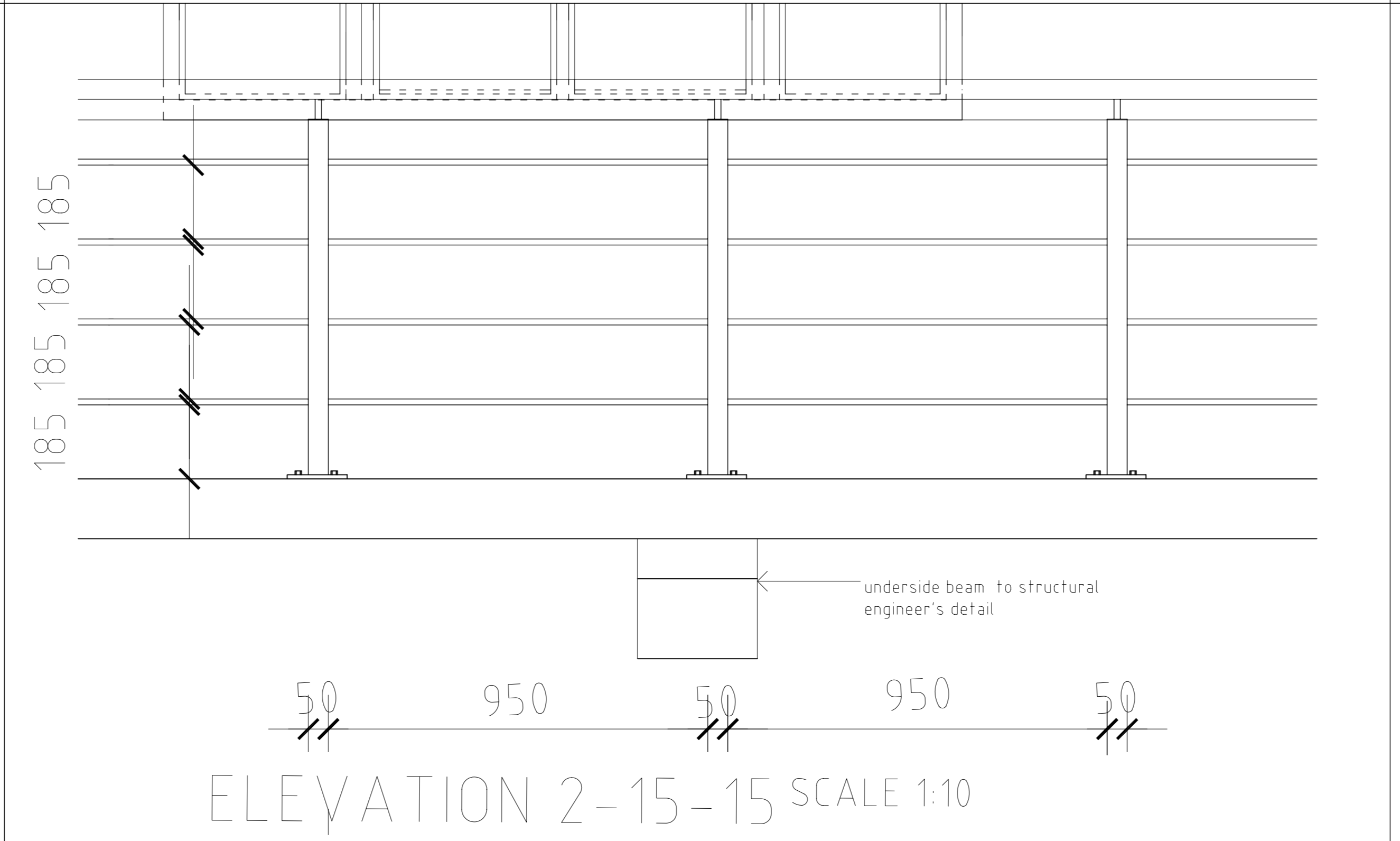
section X-X scale 1:5



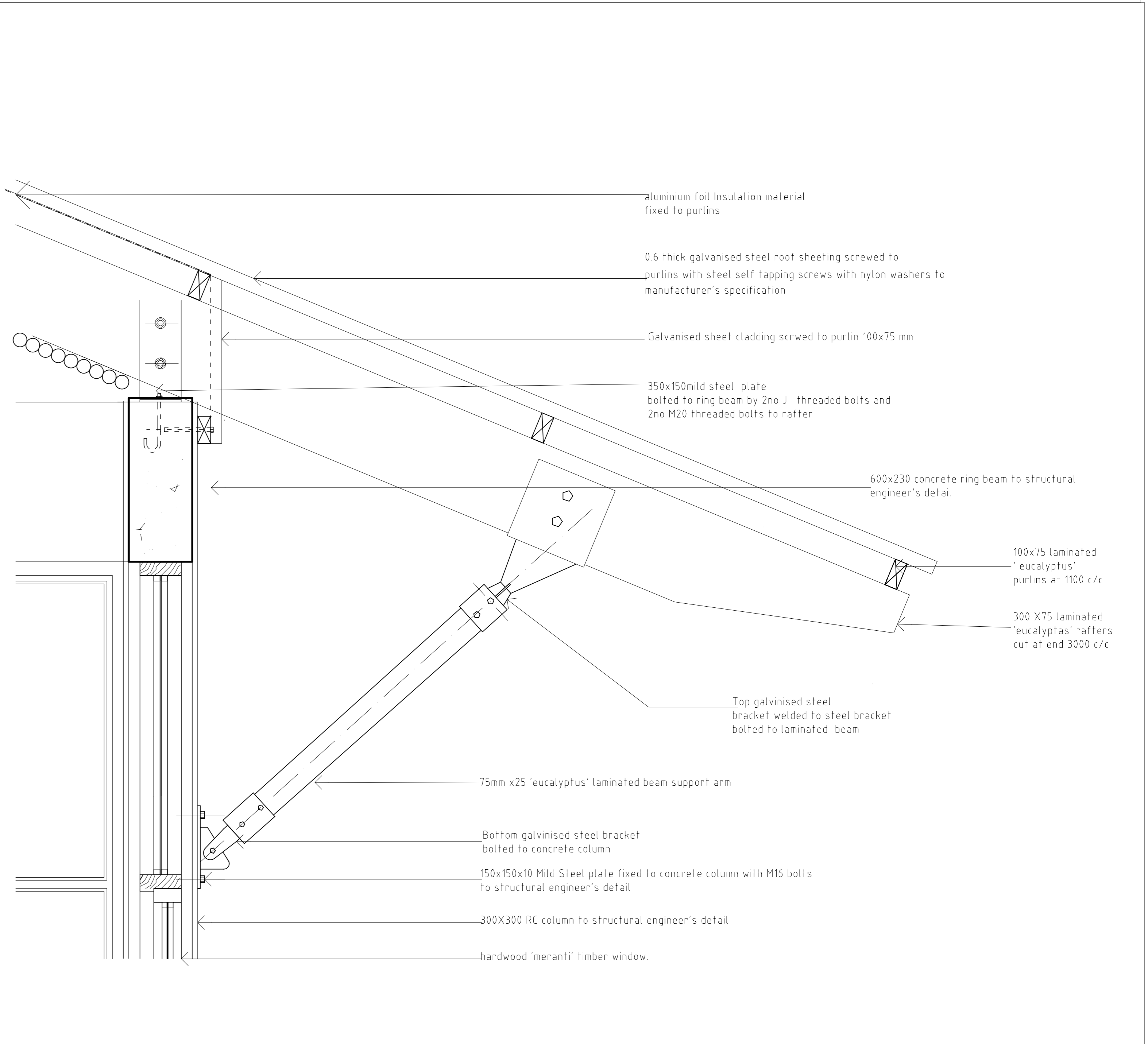
DETAIL 1-10 scale 1:5



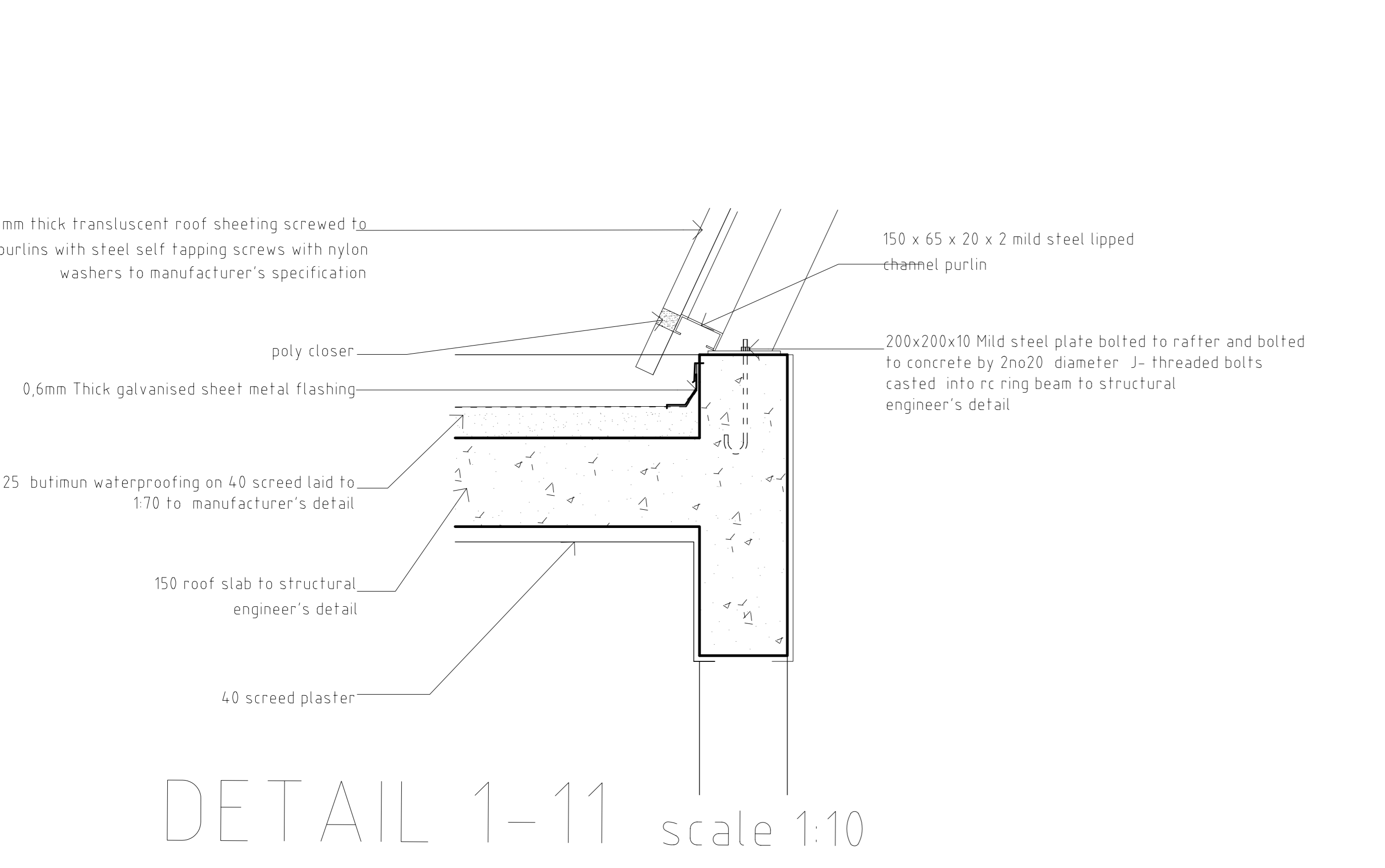
DETAIL 1-15 scale 1:5



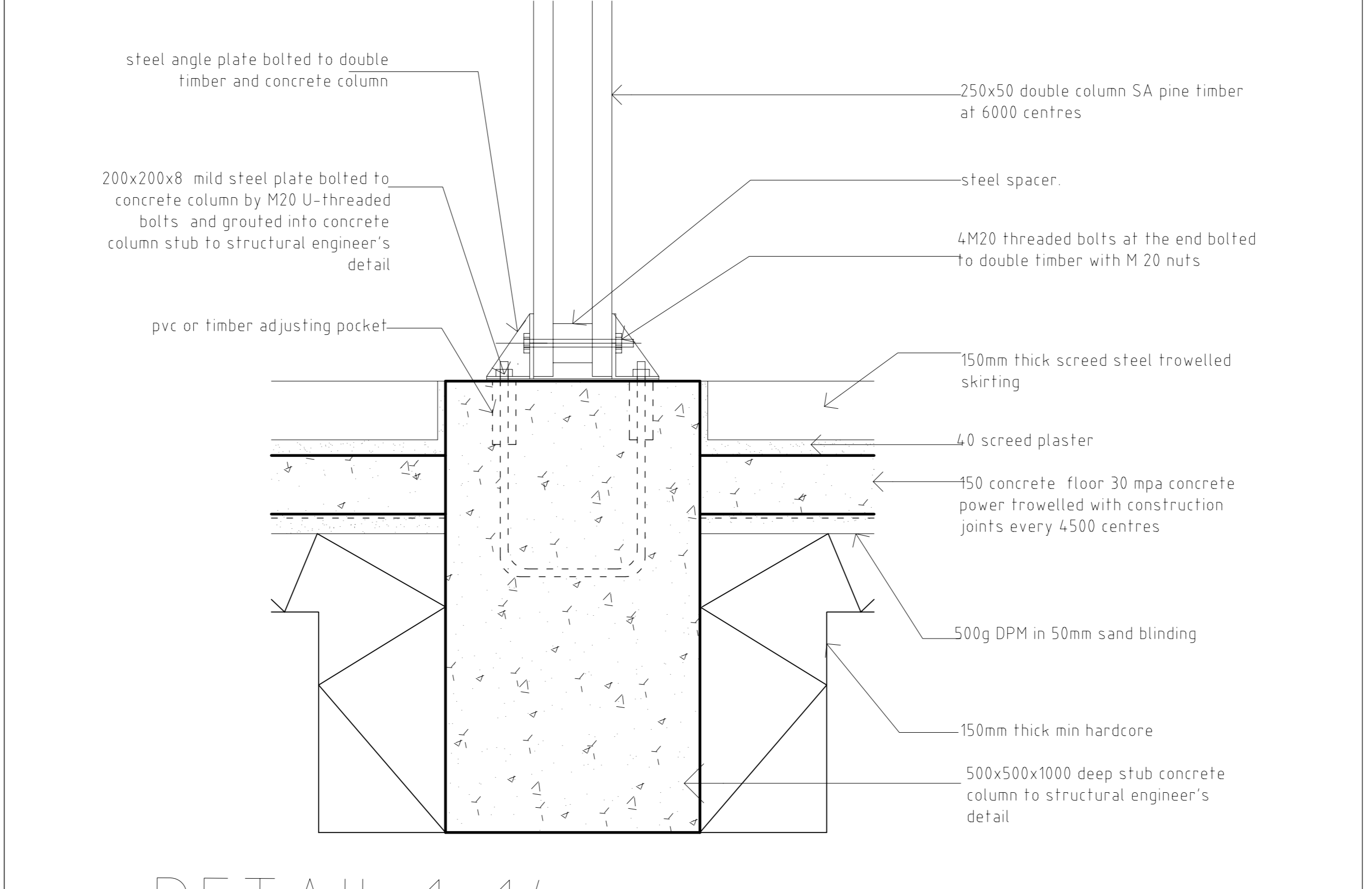
ELEVATION 2-15-15 SCALE 1:10



DETAIL 1-13 scale 1:10



DETAIL 1-11 scale 1:10



DETAIL 1-14 scale 1:10

