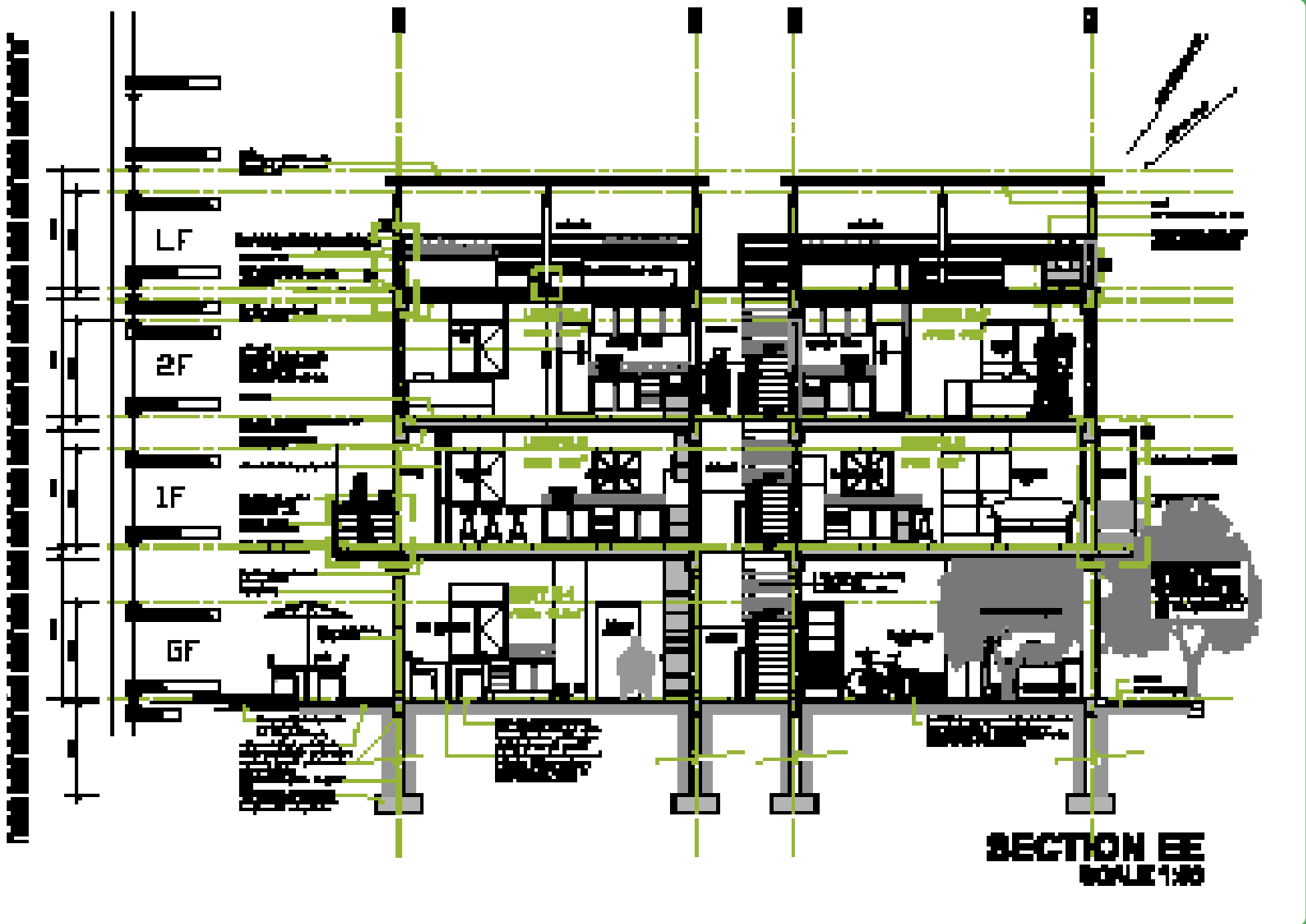


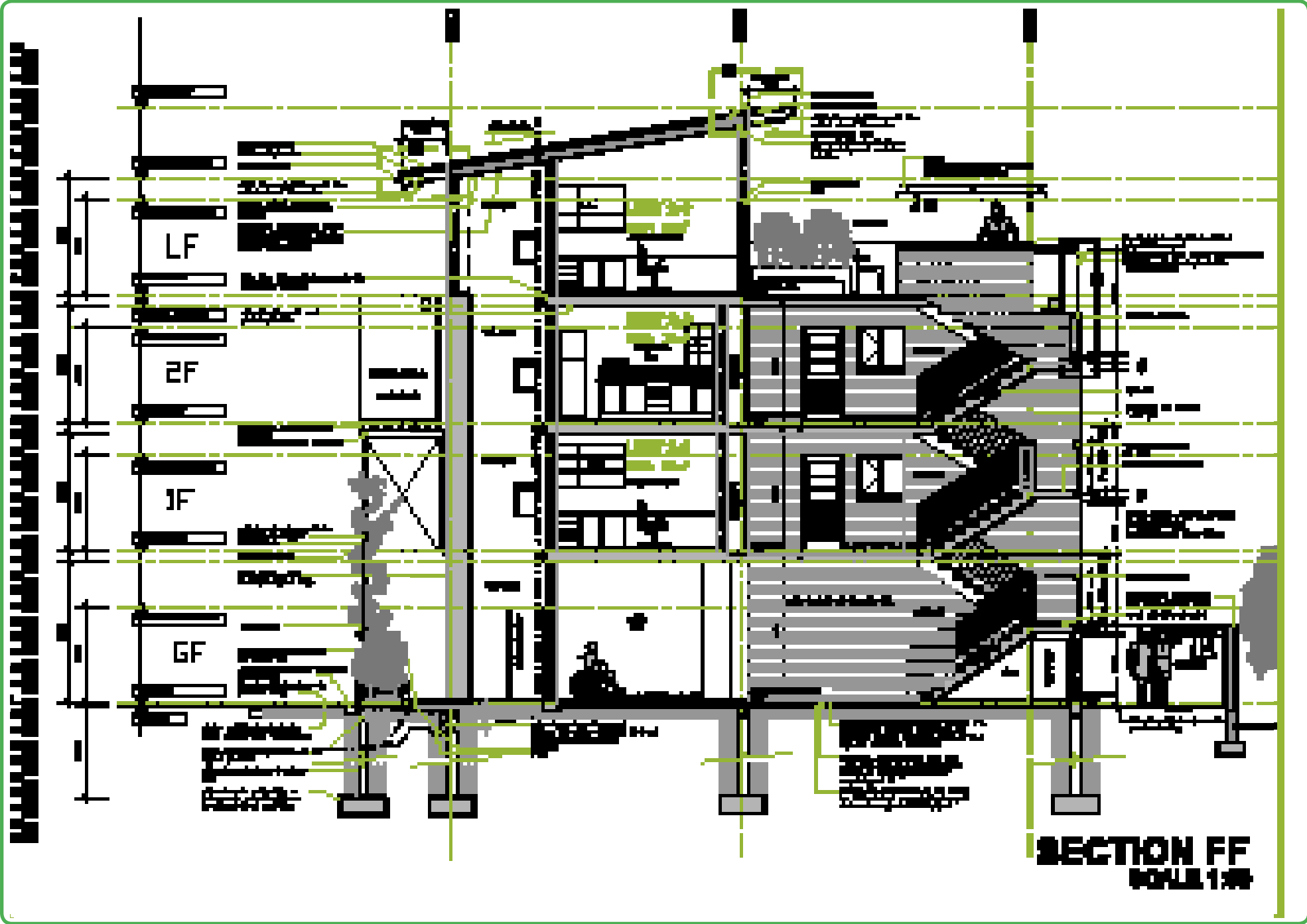
HOUSING: A GREEN PROPRIETOR IN MARABASTAD
JOZANNE SPIES MARCH(PROF) UNIVERSITY OF PRETORIA

HOUSING: A GREEN PROPRIETOR IN MARABASTAD
JOZANNE SPIES MARCH(PROF) UNIVERSITY OF PRETORIA



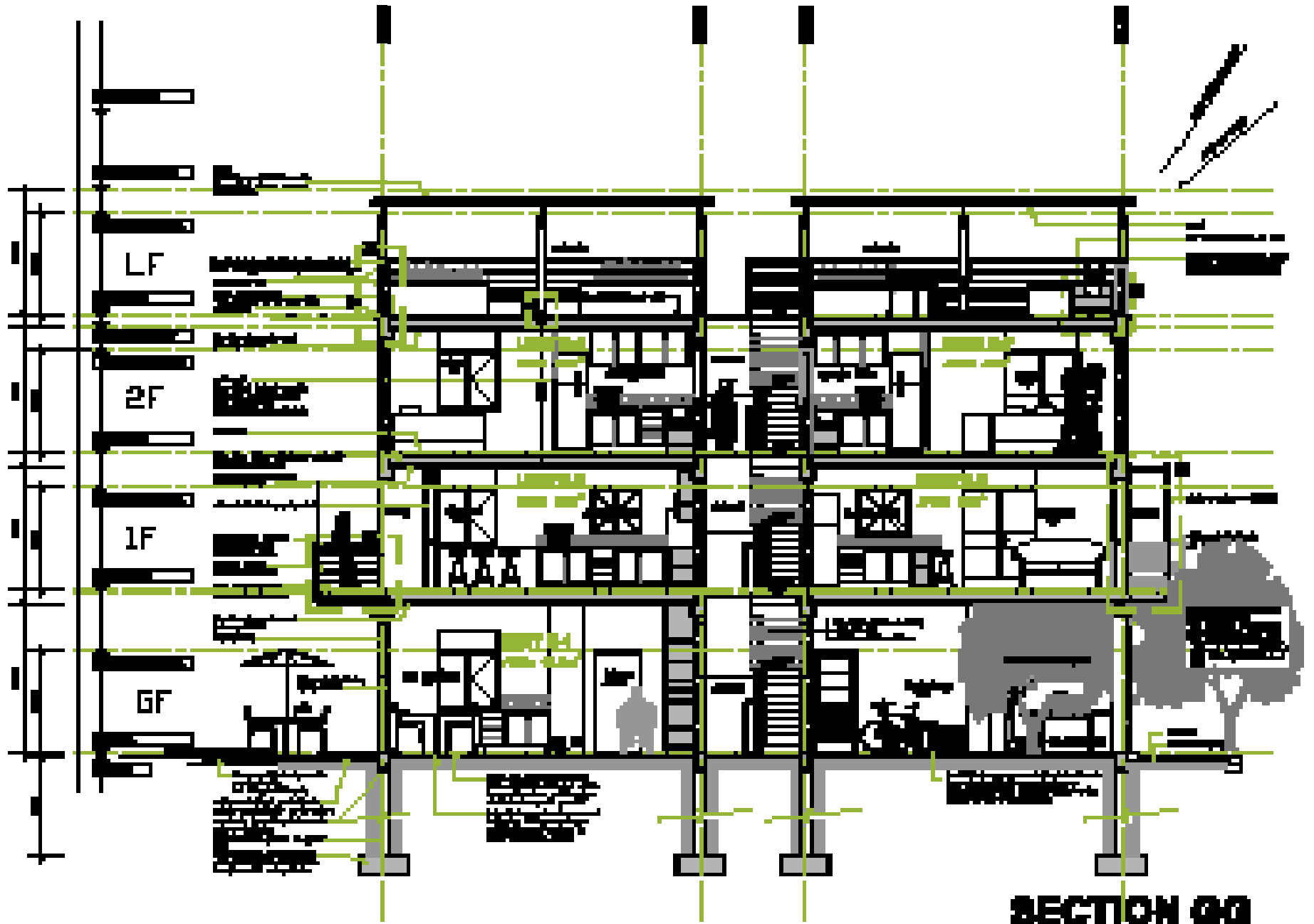
TECHNICAL DOCUMENTATION





HOUSING: A GREEN PROPRIETOR IN MARABASTAD
JOZANNE SPIES MARCH(PROF) UNIVERSITY OF PRETORIA

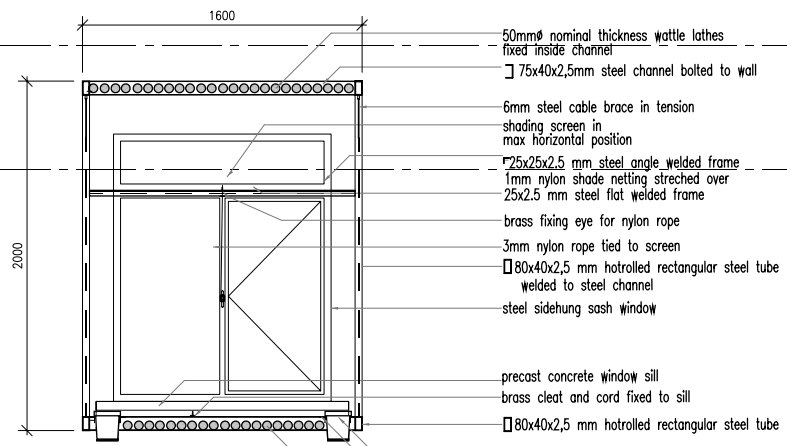
HOUSING: A GREEN PROPRIETOR IN MARABASTAD
JOZANNE SPIES MARCH(PROF) UNIVERSITY OF PRETORIA



SECTION 00
SCALE 1:50

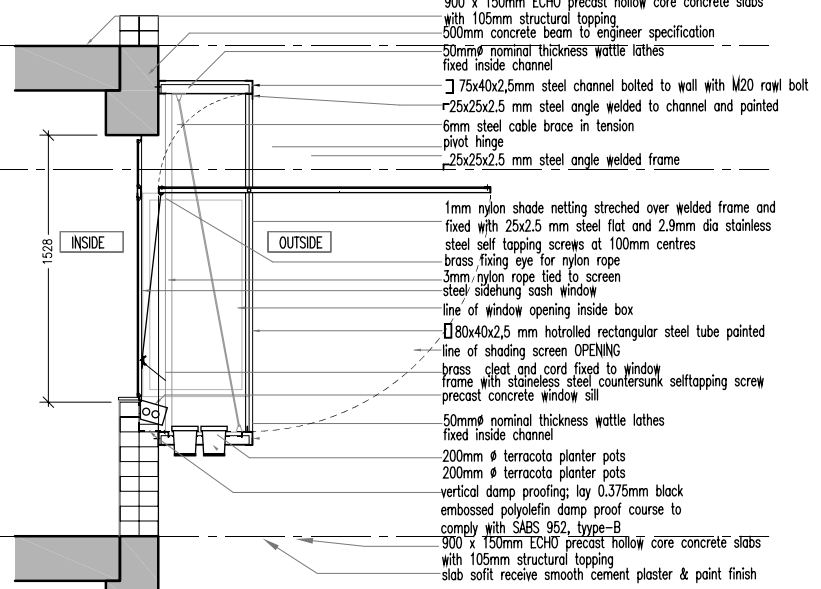
TECHNICAL DOCUMENTATION





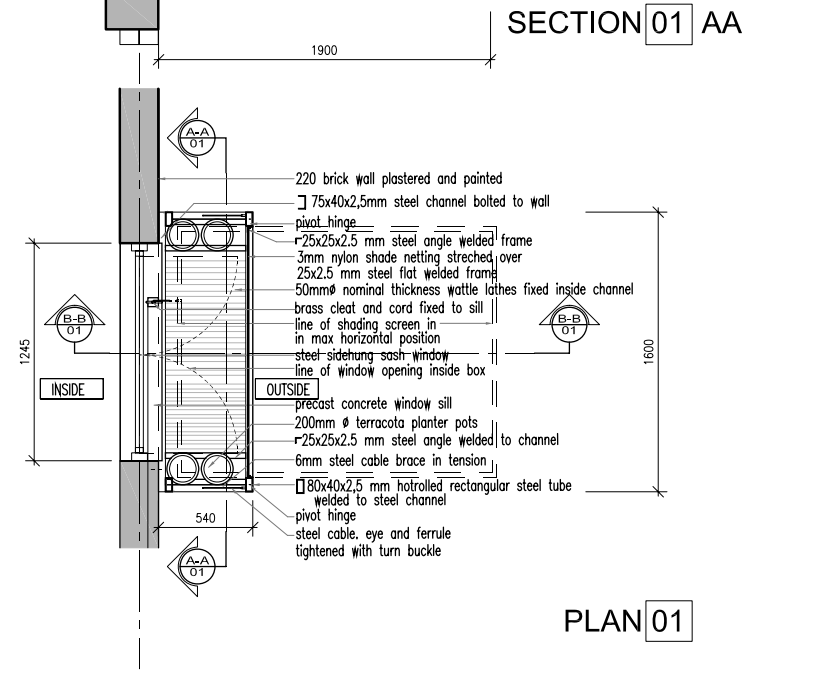
SECTION 01 AA

- 50mm nominal thickness wattle lathes fixed inside channel
- 75x40x2,5mm steel channel bolted to wall
- 6mm steel cable brace in tension shading screen in max horizontal position
- 25x25x2,5 mm steel angle welded frame
- 1mm nylon shade netting stretched over 25x2,5 mm steel flat welded frame
- brass fixing eye for nylon rope
- 3mm nylon rope tied to screen
- 80x40x2,5 mm hotrolled rectangular steel tube welded to steel channel
- steel sidehung sash window
- precast concrete window sill
- brass cleat and cord fixed to sill
- 80x40x2,5 mm hotrolled rectangular steel tube
- 200mm terracota planter pots
- 25x25x2,5 mm steel angle welded to channel
- 50mm nominal thickness wattle lathes fixed inside channel



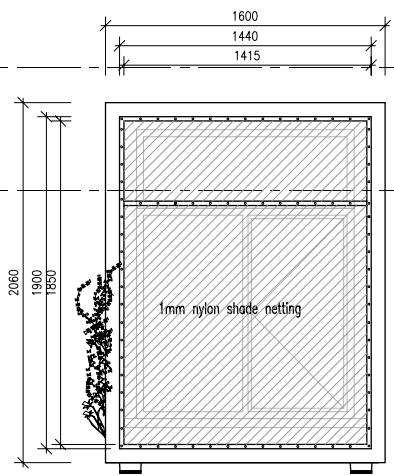
SECTION 01 AA

- 900 x 150mm ECHO precast hollow core concrete slabs with 105mm structural topping
- 500mm concrete beam to engineer specification
- 50mm nominal thickness wattle lathes fixed inside channel
- 75x40x2,5mm steel channel bolted to wall with M20 rawl bolt
- 25x25x2,5 mm steel angle welded to channel and painted
- 6mm steel cable brace in tension pivot hinge
- 25x25x2,5 mm steel angle welded frame
- 1mm nylon shade netting stretched over welded frame and fixed with 25x2,5 mm steel flat and 2.9mm dia stainless steel self tapping screws at 100mm centres
- brass fixing eye for nylon rope
- 3mm nylon rope tied to screen
- steel sidehung sash window
- line of window opening inside box
- 80x40x2,5 mm hotrolled rectangular steel tube painted
- line of shading screen OPENING
- brass cleat and cord fixed to window frame with stainless steel countersunk selftapping screw
- precast concrete window sill
- 50mm nominal thickness wattle lathes fixed inside channel
- 200mm terracota planter pots
- 200mm terracota planter pots
- vertical damp proofing; lay 0.375mm black embossed polyolefin damp proof course to comply with SABS 952, type-B
- 900 x 150mm ECHO precast hollow core concrete slabs with 105mm structural topping
- slab soffit receive smooth cement plaster & paint finish

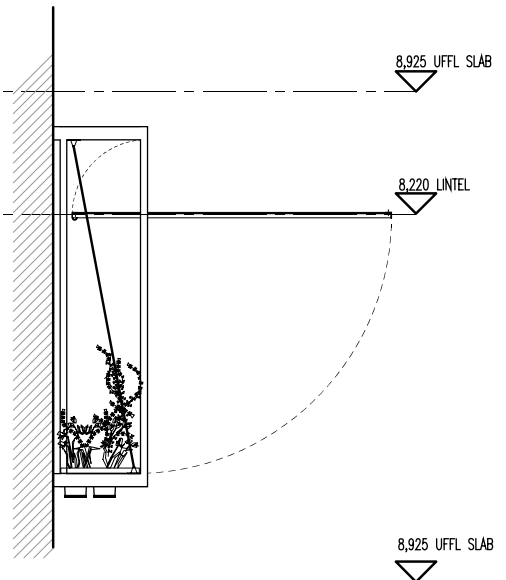


PLAN 01

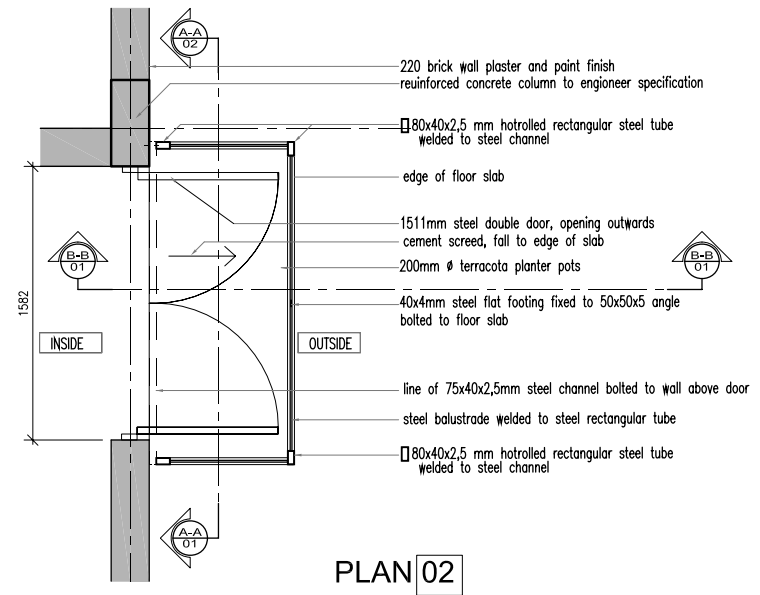
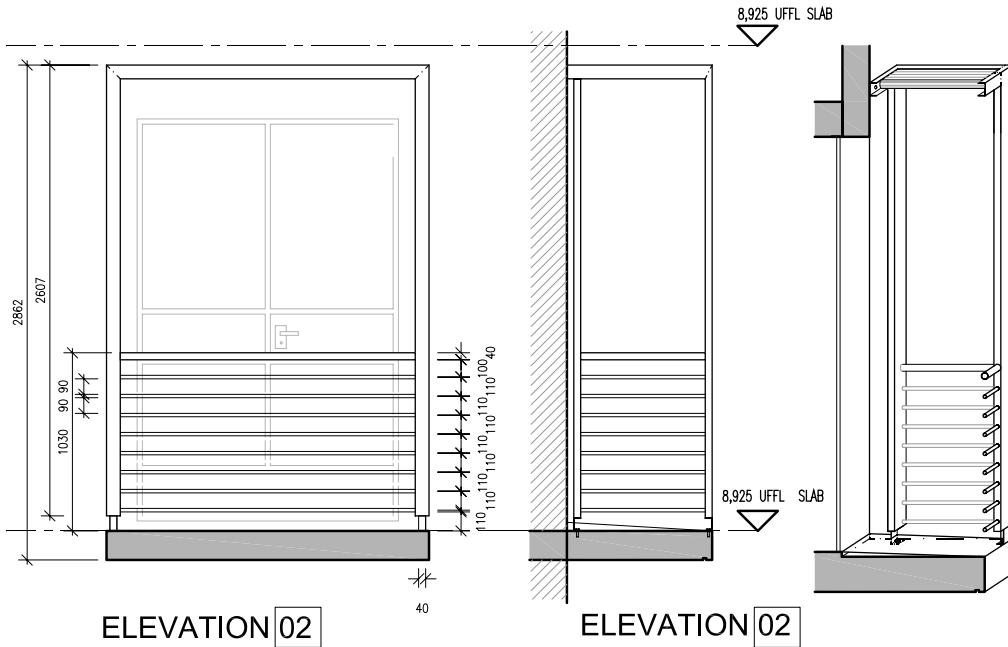
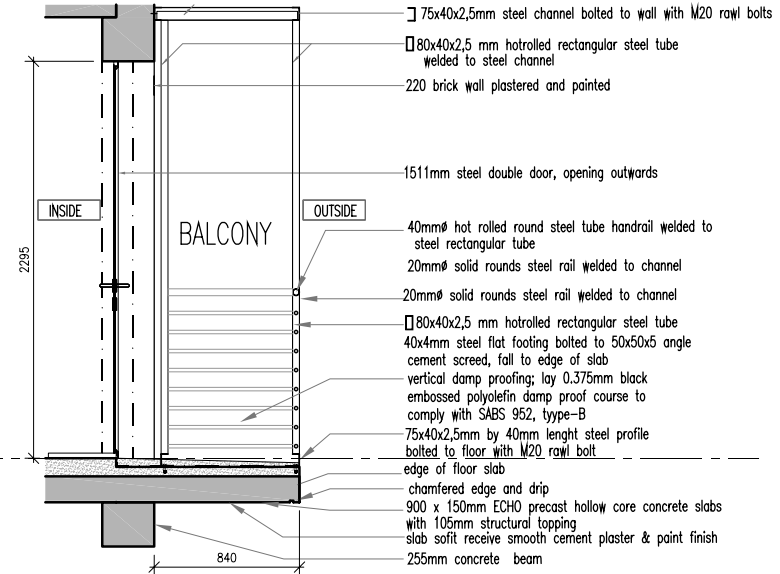
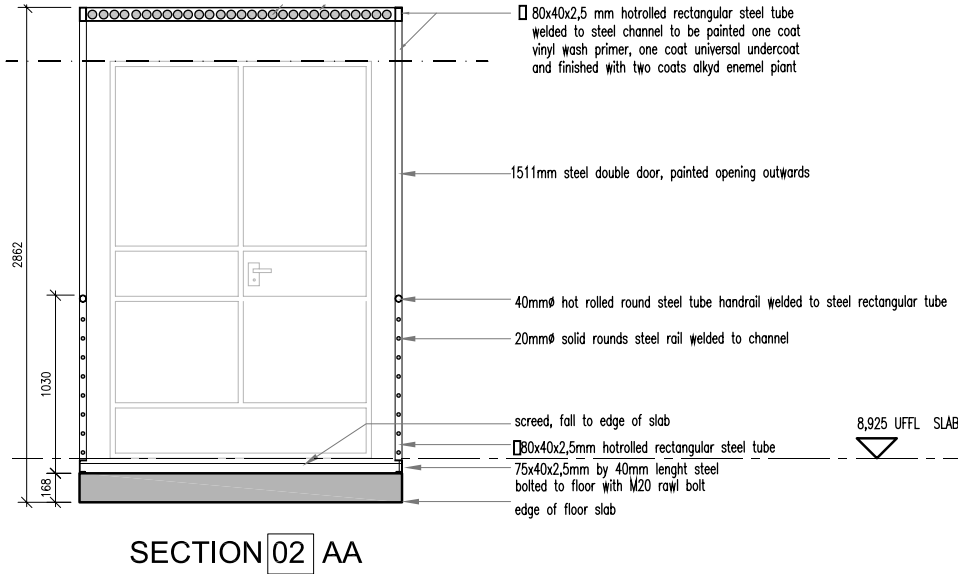
- 220 brick wall plastered and painted
- 75x40x2,5mm steel channel bolted to wall
- pivot hinge
- 25x25x2,5 mm steel angle welded frame
- 3mm nylon shade netting stretched over 25x2,5 mm steel flat welded frame
- 50mm nominal thickness wattle lathes fixed inside channel
- brass cleat and cord fixed to sill
- line of shading screen in max horizontal position
- steel sidehung sash window
- line of window opening inside box
- precast concrete window sill
- 200mm terracota planter pots
- 25x25x2,5 mm steel angle welded to channel
- 6mm steel cable brace in tension
- 80x40x2,5 mm hotrolled rectangular steel tube welded to steel channel
- pivot hinge
- steel cable, eye and ferrule tightened with turn buckle

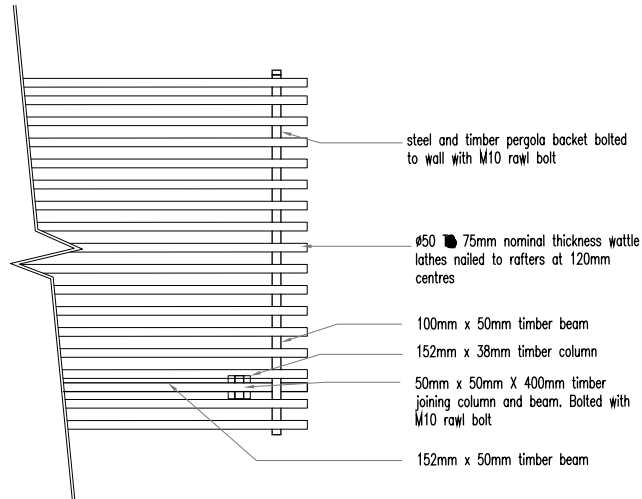
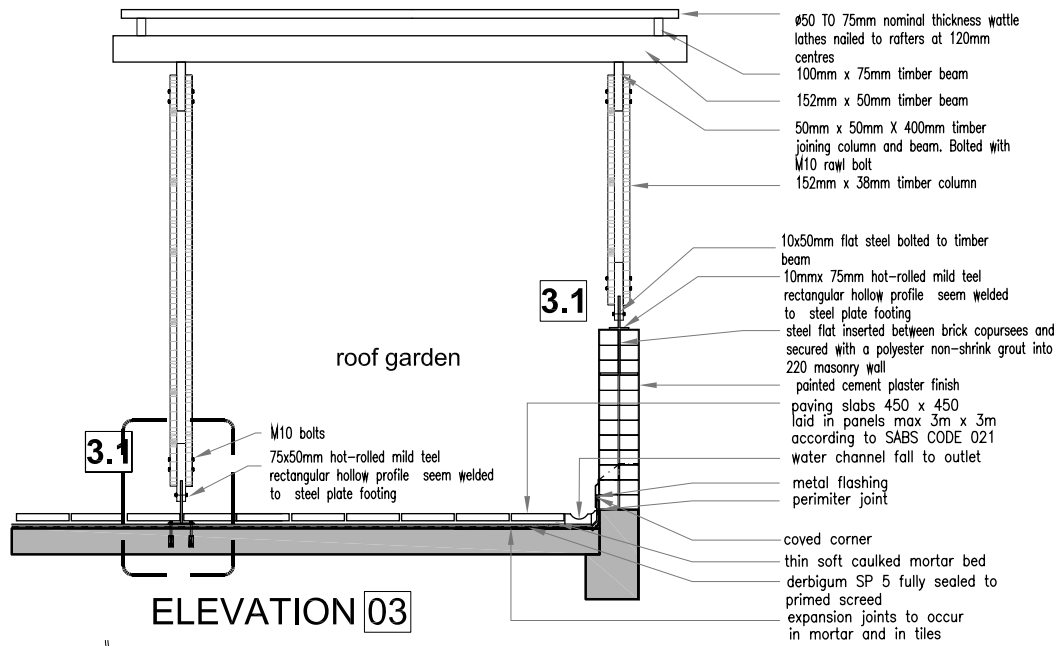


ELEVATION 01

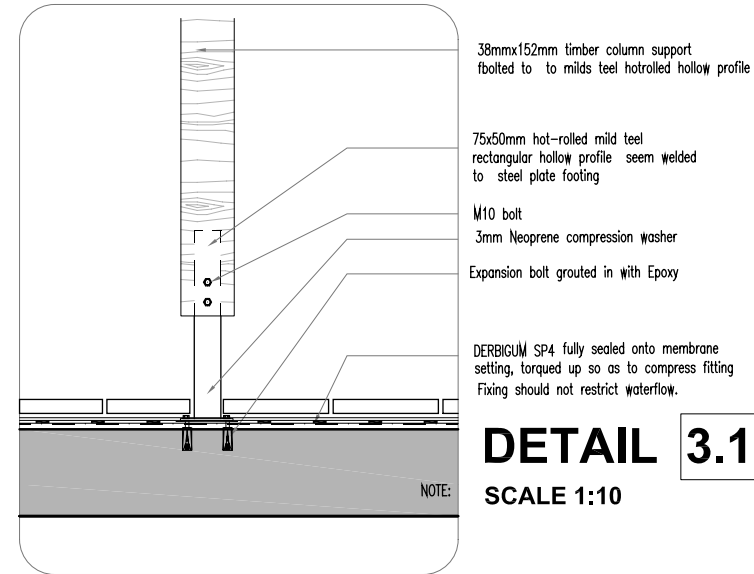
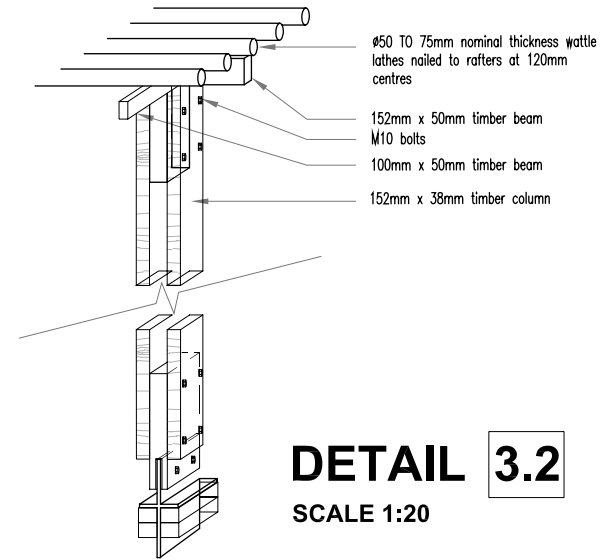


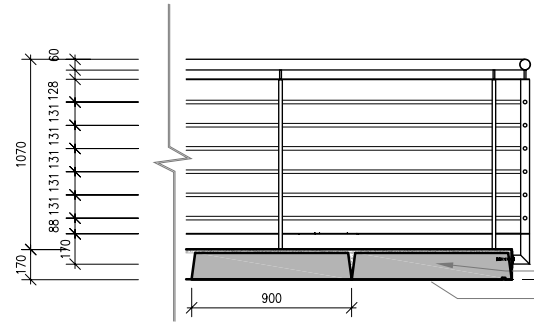
DETAIL 01



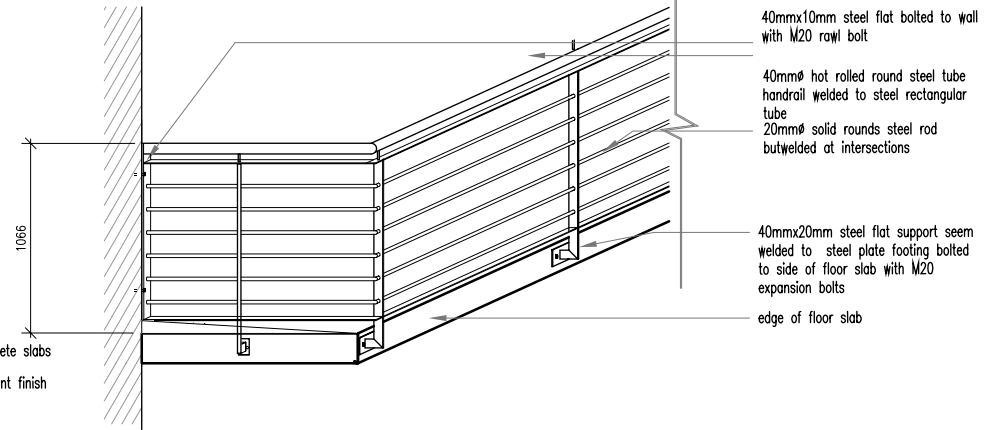


DETAIL 03 PERGOLA DETAIL
SCALE 1:20

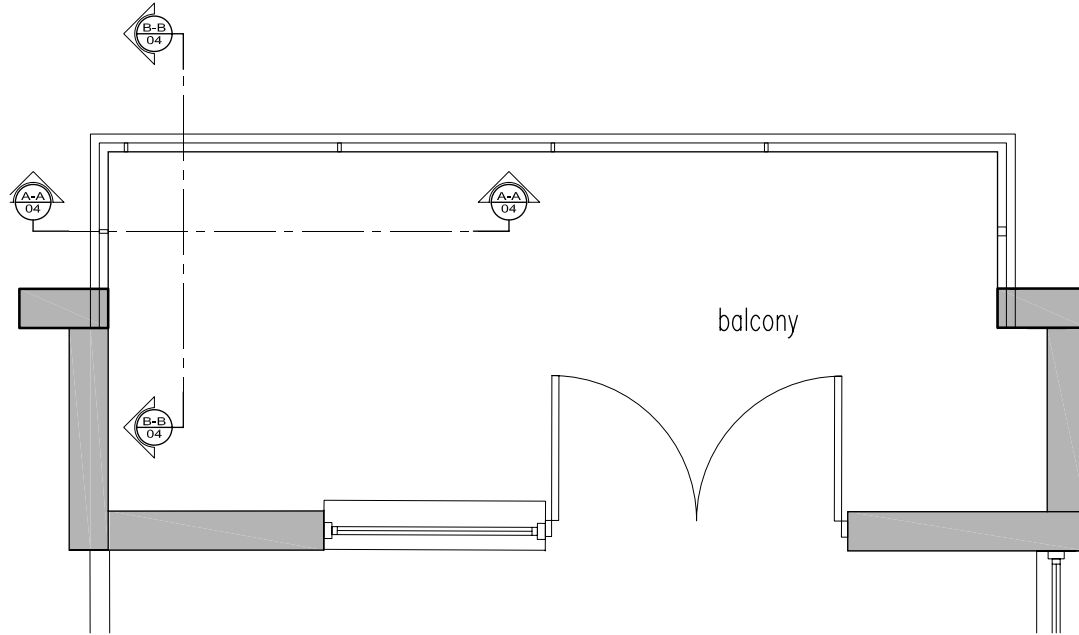




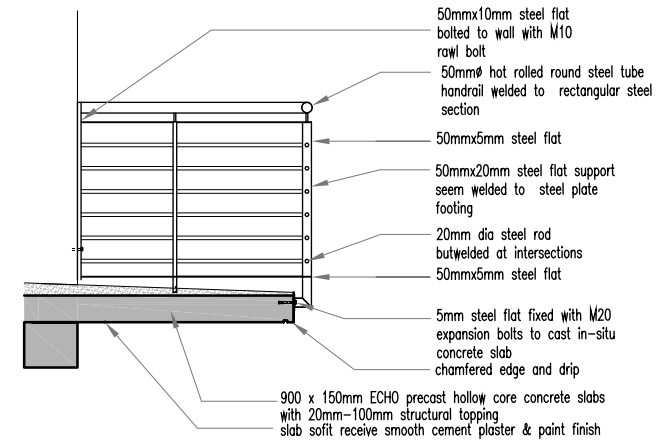
SECTION 04 AA



ELEVATION 04



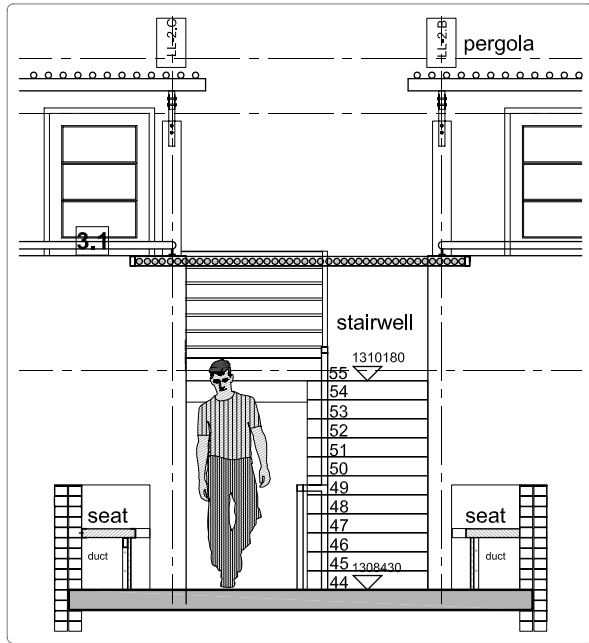
PLAN 04



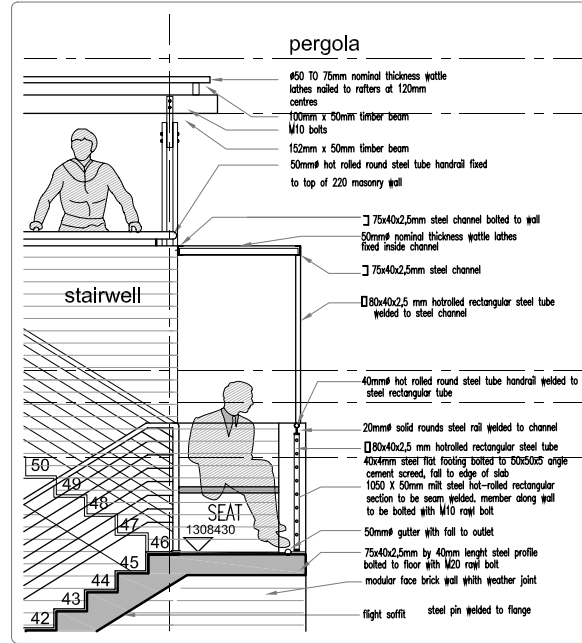
SECTION 04 BB

DETAIL 04 BALUSTRADE DETAIL

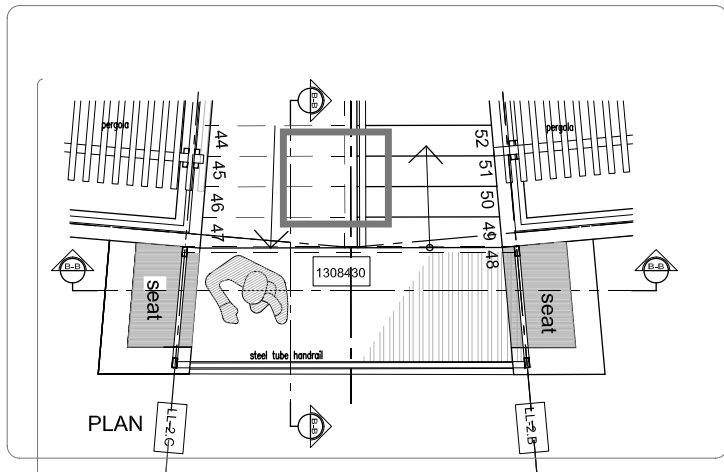
SCALE 1:20



SECTION 05 AA



SECTION 05 BB

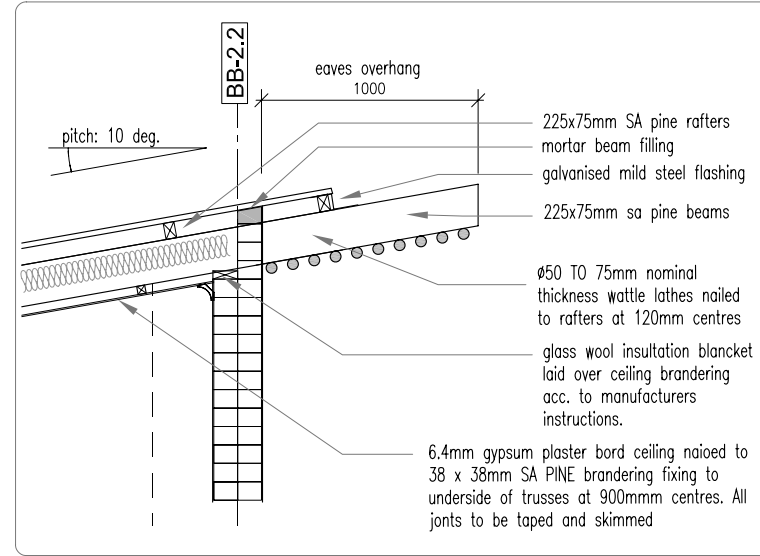
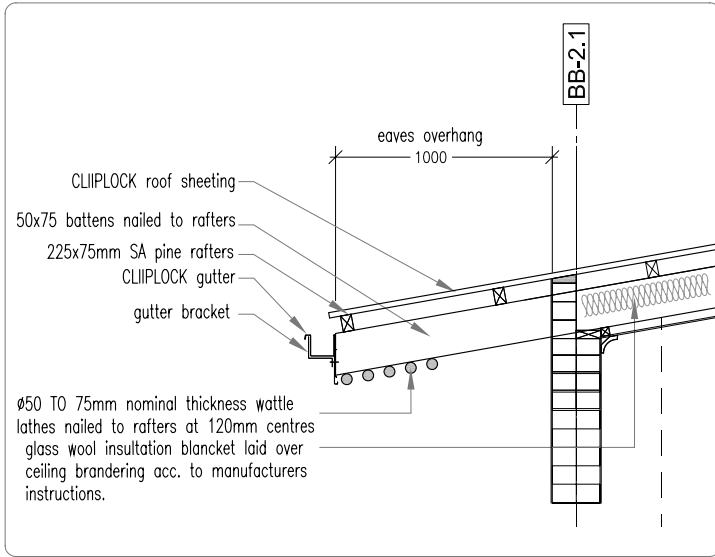


PLAN 05

DETAIL 05 STAIRWELL DETAIL

SCALE 1:20

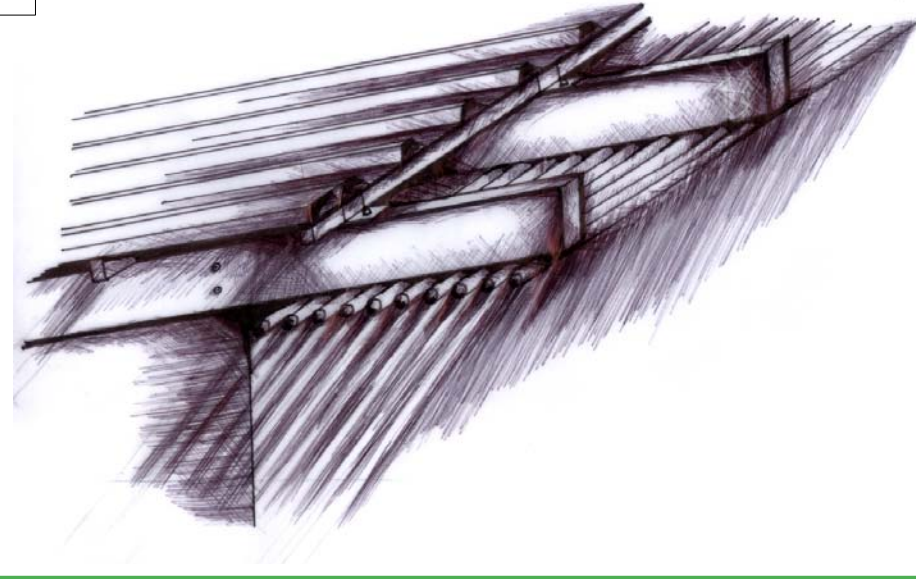




DETAIL 06

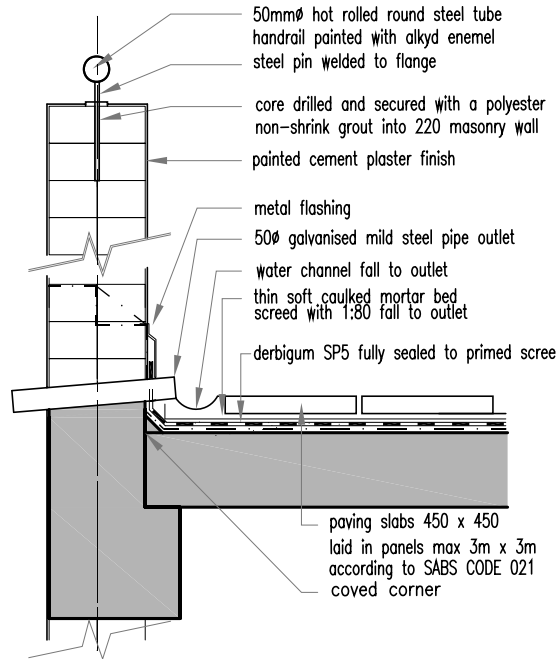
DETAIL 07

ROOF OVERHANG DETAIL



DETAIL 08 STEEL HANDRAIL DETAIL

SCALE 1:10



LIGHTWEIGHT PLANT CONTAINERS.
METHOD FOR STRINGENT WEIGHT RESTRICTIONS.
plastic containers are substituted for clay, and lightweight drainage medium is substituted for soil.
for planting directly in soil, 200 to 250mm of lightweight soil is placed on drainage medium covered with a filter blanket.

industrial swivel casters are fixed to the footings.
the wheels move along the steel profile tracks attached to floor slab so not to damage waterproofing

140x60x10 mm steel channel welded to plate

DETAIL 10 PLANT CONTAINER DETAIL

SCALE 1:20

DETAIL 09 RAIN WATER DETAIL